

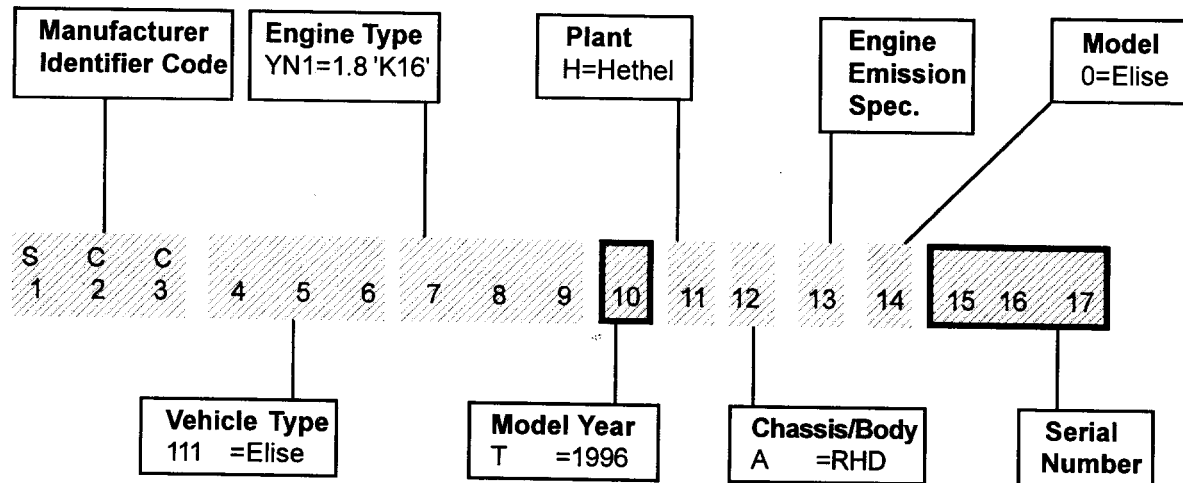
VEHICLE IDENTIFICATION NUMBER & ENGINE NUMBER

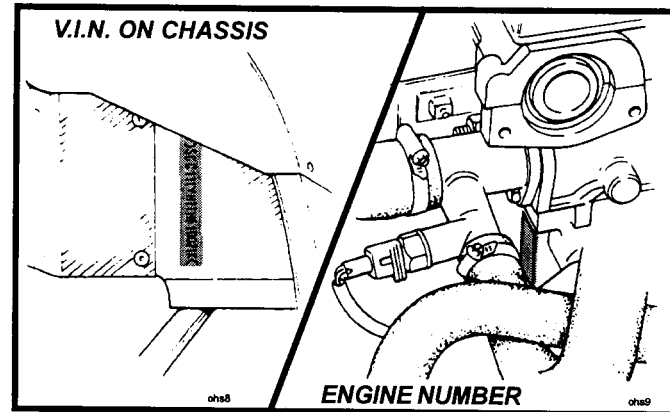
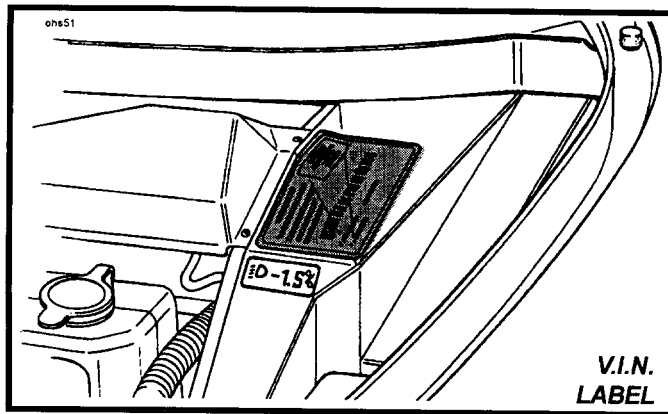
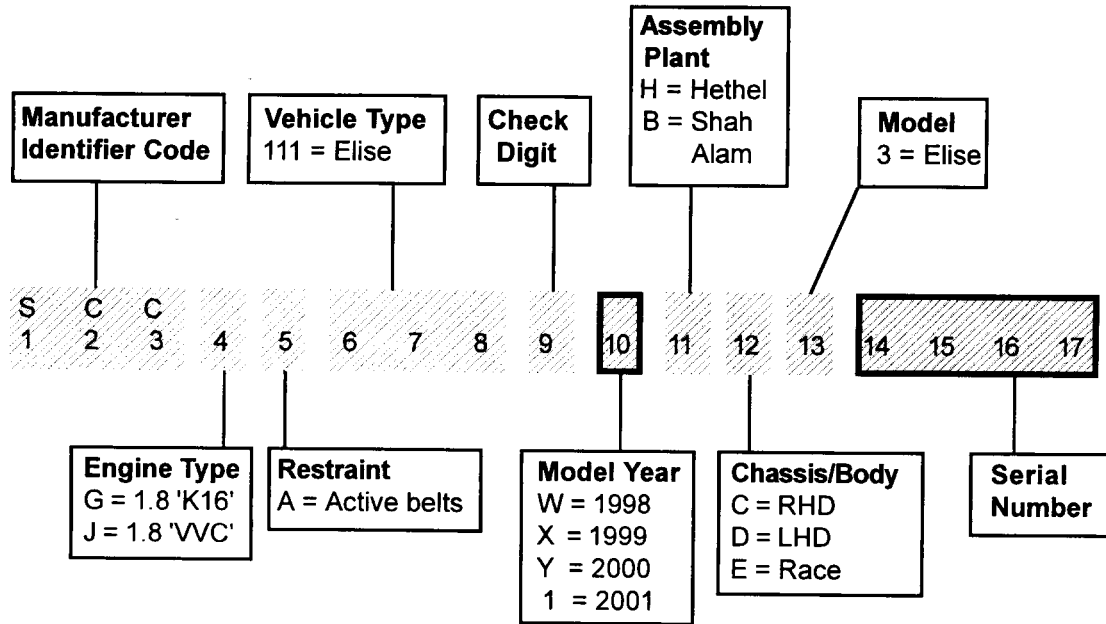
The Vehicle Identification Number (V.I.N.) is stamped on the chassis in the right hand rear wheelarch area, and is also printed on a label stuck to the body in the front services compartment. The engine number is marked on a vertical patch at the left hand end of the forward face of the cylinder block, and is most easily viewed using a mirror.

Both numbers should always be quoted with any vehicle enquiries, as Factory records are filed against V.I.N., and specification change points are identified by V.I.N. or engine number. The vehicle licence number may not accurately reflect vehicle age, may also be changed during the car's life, and is an unreliable method of vehicle identification.

The V.I.N. comprises 17 characters, coded in accordance with European Economic Community (EEC) directives. For change point identification in Service Notes and Service Parts Lists, characters 10 (model year) and 15 - 17, or 14 - 17 (serial number) will be quoted. Note that the coding of the V.I.N. changed with the introduction of '98 M.Y. year

'96 & '97 Model Year





ELISE

ELISE MODEL HISTORY

Model Introduction: June '96

VIN: T 0017 onwards

1997 Model Year: November '96

VIN: V 240 onwards

No specification change.

Upated Starter Motor: February '97

VIN: V 685

Starter motor upated from 1.0 kW to 1.4 kW and engine management fuse relocated from rear to front services compartment.

Commonisation of a.c. type chassis: September '97

VIN: V 1685 (approx.) Plus; 1672, 1673, 1677, 1682. Less; 1694, 1708.

Shape of chassis, rear side of fuel tank crossmember, changed to accommodate a.c. compressor. Low level engine coolant outlet pipe. Re-circ. ventilation holes in chassis toe-board.

1998 Model Year: October '97

VIN: W 1814 onwards.

No specification change.

Revised Harness & Main Fusebox: October '97

VIN: W 1941 onwards. Plus; 1920, 1926, 1937, 1938. Less; 1965, 2002.

New hamess introduced to accommodate optional U.K. market Cobra 6422 alarm. New main fusebox with 22 'Littel' fuses in front luggage compartment.

Optional U.K. Market Cobra 6422 Alarm: October '97

VIN: W 1947 onwards. Plus 1937, 1938.

Option upgraded from Cobra 6019HF to 6422. Facility to reprogramme transmitter keys. Override switch deleted.

Front Brake Disc Shields: December '97

VIN: W 2260 (approx.)

Alloy shield fitted on inboard side of front discs to protect from debris and balance pad life.

Revised Soft Top Cant Rails: May '98

VIN: W 3332

Latches on rear end of roof cant rails use new dovetail design to improve location. Door seals changed to incorporate moulded front ends to mate with new cantrail front seals. New soft top canopy with press studs repositioned to suit new cant rails. Parts set required to fit hardtop roof.

Cast Iron Brakes: June '98

VIN: W 3714 (approx.)

Cast iron brake discs and corresponding pads replace aluminium metal matrix brakes.

Integral Boot Box: September '98

VIN: W 4429 (approx.) Plus; 4140, 4315, 4365, 4383. Less 4653.

Rear clamshell incorporates integral luggage compartment box to replace luggage bag.

1999 Model Year: November '98

VIN: X 4976 onwards.

No specification change.

135 Sport: November '98

VIN: X 5401 - 5450, 6001 - 6035.

135 bhp cylinder head; Close ratio gearbox; Sports exhaust; Competition style seats; Sports steering wheel; Drilled iron brake discs; Quicksilver paint with blue soft top; Headlamp covers; Body graphics; Silver roll over bar. 2nd batch variations: 111S wheels, tyres & spats; black painted fuel filler cap; matt finish alloy gear knob; Sport 135 99 side decals.

Integral Stud Toe-Link Ball Joints: December '98

VIN: X 5479

Rear suspension toe-link ball joint design changes to incorporate integral M10 stud.

50th Anniversary Elise: January '99

VIN: X 5463 - 5816 (total 51)

Anniversary green with gold wheels, green/rafia leather seats, 'Elise' floor mats, gold decals, Anniversary decal on rear transom.

Angled Rear Window: January '99

VIN: X 5558

Rear window mounted in angled surround to reduce reflections.

Elise 111S: January '99

VIN: X 5722

VVC engine & close ratio transmission. Revised muffler & tailpipes. Cross-drilled iron discs. Lotus styled 6-spoke road wheels, 7.5" rear rims with 225/45 ZR16 rear P Zeros. Optional rear spoiler extension. Acrylic headlamp covers & smoke front indicator lenses. Composite engine lid, rear wheelarch spats, '111S' decal on rear body & fascia, moulded air intake grille. Forged alloy window winders, weave patterned dash inserts, revised seat foams & stitching.

Elise JPS: July '99

Available based on either standard or 111S versions. Black body colour. All cars have gold painted grilles as follows; radiator air intake, radiator outlet, engine lid outlet, rear clamshell recess, engine bay intake. All cars have gold painted 111S type road wheels, black and gold Alcantara steering wheel, gold painted dash insert panels, 111S type black leather seats with gold Alcantara centres, gold decals on rear body and dash, black and gold nose badge, Union Flag decal on rear. Standard versions will also have headlamp covers and rear wheelarch spats.

Elise '49' : October '99

Available based on either standard or 111S versions. Two tone red/white body colour. All cars have gold painted 111S type road wheels, black and red Alcantara steering wheel, 111S type black leather seats with red Alcantara centres, gold decals. Standard versions also have headlamp covers and rear wheelarch spats.

Elise 'Millenium' : October '99

Available based on either standard or 111S versions. Atlantis Blue body colour. All cars have blue Alcantara steering wheel pad and sill trim panels, 111S type black leather seats with blue Alcantara centres. Standard versions also have 111S type road wheels, rear wheelarch spats and headlamp covers. Cars were usually supplied with a range of dealer fitted Lotus accessories.

Elise 340R: January '00

VIN: Y 0004 to 0009, 9640 onwards.

Limited edition of 340. Extreme lightweight version of the Elise, based on modified standard chassis fitted with minimalist bodywork and a detuned, road going version of the VHPD powertrain. See 340R supplement for full specification.

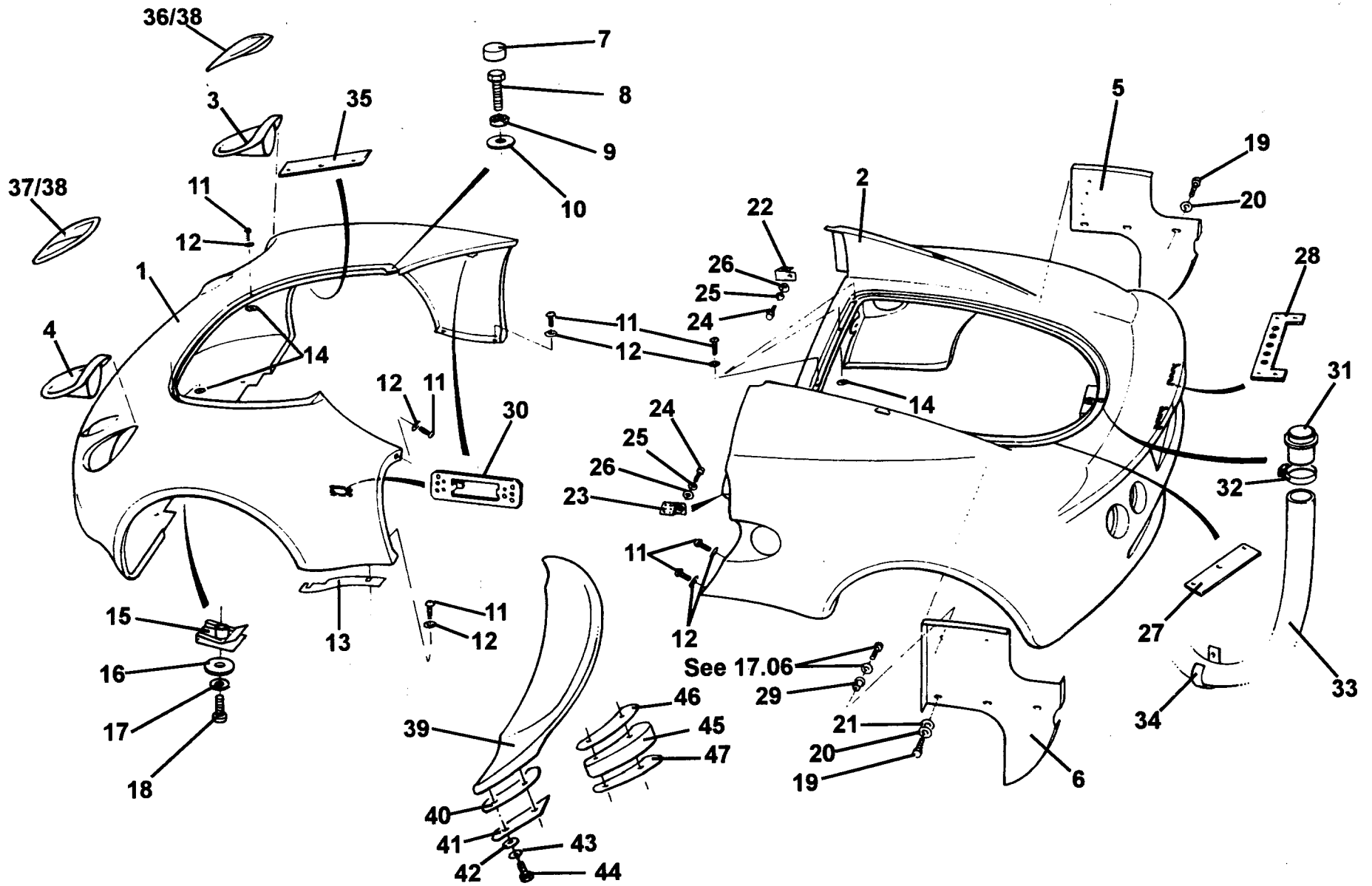
Service Parts List *ELISE*



Function Code 10.01 Body: Front & Rear Clamshells & Fixings

<u>Dep</u>	<u>Part Description</u>	<u>Remarks</u>	<u>Option</u>	<u>Part Number</u>	<u>Qty</u>
01	Front Clamshell	Includes H/lamp bezels, items 3/4		B111B0170J	1
01a	Front Clamshell	Less H/lamp bezels, items 3/4	111S, Sport 135, 160, 190, Type '49'	B111B0356J	1
02	Rear Clamshell, rectangular license plate	Prior to VIN* (see below), includes items 5 & 6	UK/Europe	A111B0169J	1
02a	Rear Clamshell, square license plate	Prior to VIN* (see below), includes items 5 & 6	Australia/Japan	A111B0325J	1
02b	Rear Clamshell/Boot-Box Assy., rectangular license plate	From VIN* (see below)	UK/Europe/plus Japan from VIN: X 0304	B111B0169J	1
02c	Rear Clamshell/Boot-Box Assy., square license plate	From VIN* (see below)	Australia/plus Japan prior to VIN: X 0304	B111B0325J	1
02d	Rear Clamshell/Boot-Box Assy., rectangular license plate	Also Sport 160, cars with spoiler & spats	111S, UK/Europe/plus Japan from VIN: X 0304	A111B0582J	1
02e	Rear Clamshell/Boot-Box Assy., square license plate	Cars with spoiler & spats	111S, Australia/plus Japan prior to VIN: X 0304	A111B0583J	1
03	Headlamp Bezel, RH			A111B0330K	1
04	Headlamp Bezel, LH			A111B0329K	1
05	Shear Plate, RH	Part of clamshell, items 2/2a		C111B0110F	1
06	Shear Plate, LH	Part of clamshell, items 2/2a		C111B0109F	1
07	Rubber Buffer			X046B6113Z	2
08	Setscrew, M8 x 35, hex. hd.			A075W1041Z	2

ELISE



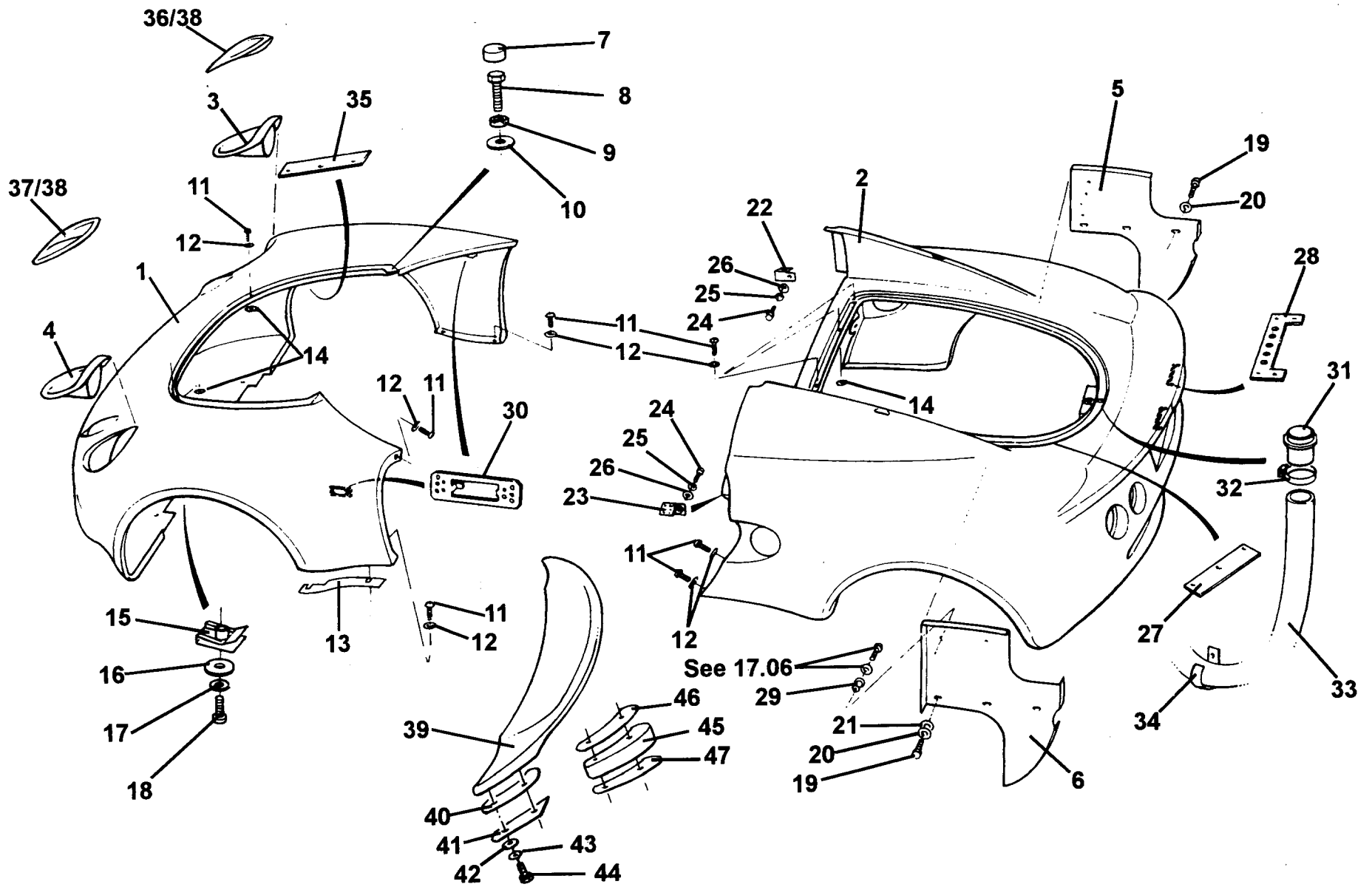
See 17.06

ELISE
10.01

Function Code 10.01 Body: Front & Rear Clamshells & Fixings

<u>Dep</u>	<u>Part Description</u>	<u>Remarks</u>	<u>Option</u>	<u>Part Number</u>	<u>Qty</u>
09	Locknut, M8			A075W3026Z	2
10	Washer, flat, M8 x 25 x 1.4			A111W4156F	2
11	Screw, M8 x 25, clamshell fix.			A111W7115F	18
12	Washer, M8 x 25			A111W4156F	18
13	Shimplate, (plastic), clamshell to sill, 1.6mm			A111U0285K	As req.
13a	Shimplate, (plastic), clamshell to sill, 2.4mm			A111U0286K	As req.
14	Washer, neoprene, M8 x 8 x 3			A111U6055F	8
15	Spirenut, M5			A100W6372F	3
16	Washer, flat, 3/16" x 3/4"			A075W4009Z	3
17	Washer, spring, 3/16"			A075W4030Z	3
18	Screw, pozi. M5 x 16, clamshell to front undertray			A082W5107F	3
19	Screw, M6 x 20, clamshell fix.			A082W5206F	6
20	Washer, shakeproof, M6,			A075W4046Z	6
21	Washer, flat, M6 x 15 x 1.5			A075W4015Z	6
22	Bracket, rear clamshell, RH	Part of clamshell assy.		B111B0114F	1
23	Bracket, rear clamshell, LH	Part of clamshell assy.		B111B0113F	1
24	Setscrew, M8 x 20, hex. hd. rear clamshell fix.			A075W1038Z	2
25	Washer, spring, M8			A075W4036Z	2
26	Washer, flat, M8 x 25 x 1.4			A075W4021Z	2
27	Bracket, short, harness to clamshell front and rear			A111M0021K	4
28	Mounting Plate, number plate lamp	Part of clamshell assy.		A111M0048F	2

ELSE

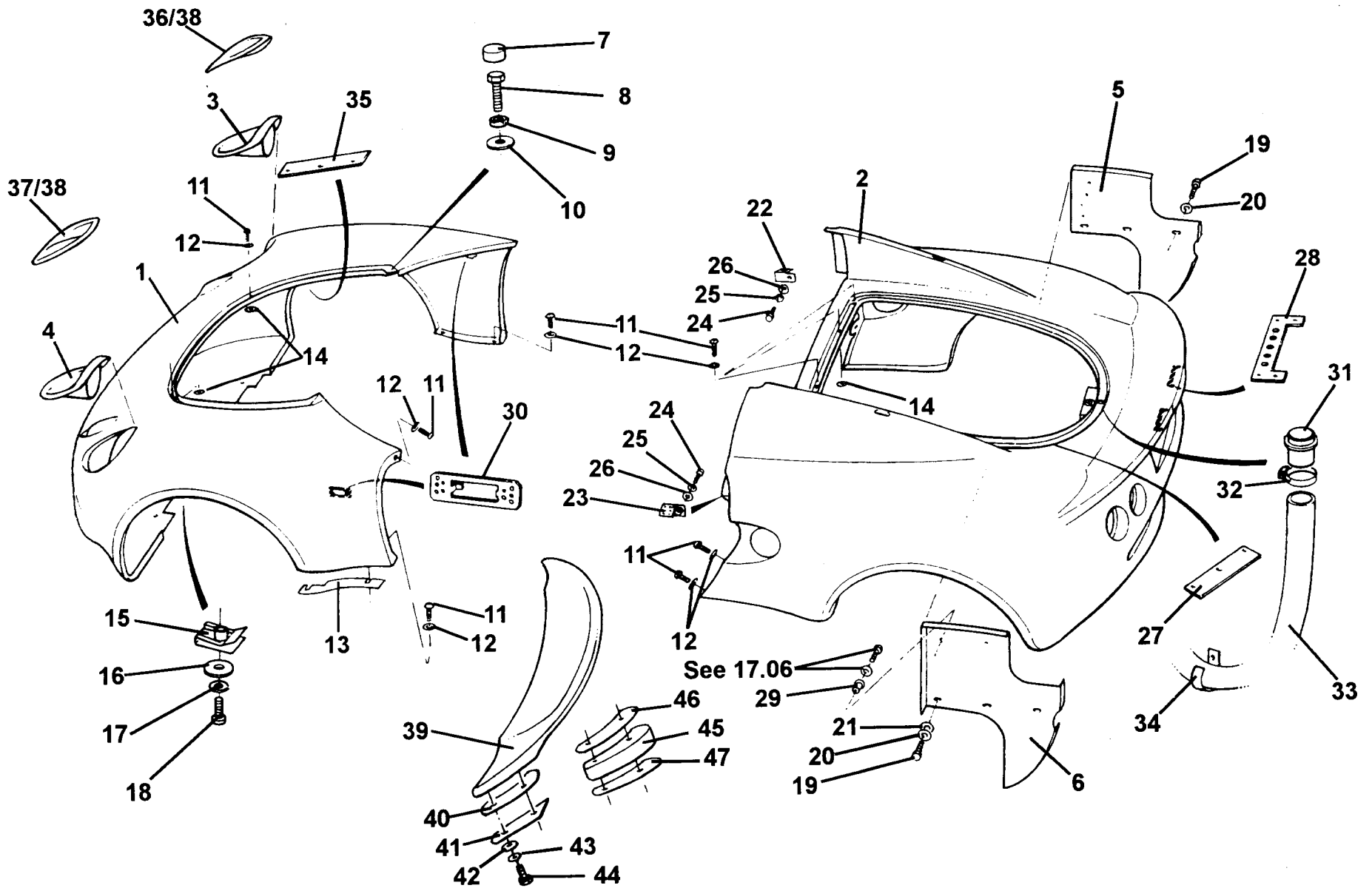


ELISE
10.01

Function Code 10.01 Body: Front & Rear Clamshells & Fixings

<u>Dep</u>	<u>Part Description</u>	<u>Remarks</u>	<u>Option</u>	<u>Part Number</u>	<u>Qty</u>
29	Cage nut, M5, attachment of electrics panel			A111W6609F	2
30	Mounting Plate, indicator repeater lamp	Part of clamshell assy.		A111U0073F	2
31	Drain, engine cover gutter			A111B0176F	1
31a	Drain, engine cover gutter		Boot-box clamshell	A111U0432	
32	Hose Clip, 16 - 25mm			A079K6018F	1
33	PVC Tube, 5/8", engine cover gutter drain			A075U6083V	1
33a	PVC Tube, 5/8", engine cover gutter drain		Boot-box clamshell	A111U0432V	1
34	'P' Clip, open, drain tube fix.			A075W6320F	1
35	Bracket, long, harness to clamshell, front			A111M0020K	2
36	Headlamp Cover, RH	Fits clamshell, item 1a	111S, Sport 135, 160, 190, Type '49'	B111U0328F	1
37	Headlamp Cover, LH	Fits clamshell, item 1a	111S, Sport 135, 160, 190, Type '49'	B111U0327F	1
38	Adhesive Foam Tape, 6 x 3mm, cover fix.		111S, Sport 135, 160, 190, Type '49'	A111U6071V	1.8M
39	Rear Spoiler		111S, Sport 160	A111B0553K	1
39a	Rear Spoiler, GRP composite		MOTORSPORT	A111B0568J	1
39b	Rear Spoiler, part carbon fibre		MOTORSPORT	A111B0569J	1
40	Gasket, rear spoiler to clamshell		111S, MOTORSPORT	A111B0552K	2
41	Spreader Plate		111S, Sport 160, MOTORSPORT	A111B0557F	2
42	Washer,flat, M8		111S, Sport 160, MOTORSPORT	A075W4020Z	4

ELISE



ELISE
10.01

Function Code 10.01 Body: Front & Rear Clamshells & Fixings

<u>Dep</u>	<u>Part Description</u>	<u>Remarks</u>	<u>Option</u>	<u>Part Number</u>	<u>Qty</u>
43	Washer, spring, M8		111S, Sport 160, MOTORSPORT	A075W4036Z	4
44	Setscrew, M8 x 25, hex. hd., spoiler fix.		111S, MOTORSPORT	A111W1156F	4
44a	Setscrew, M8 x 45, hex. hd., spoiler fix.	For spoiler with plinth	Sport 160	A075W2040Z	4
45	Plinth, spoiler mounting, LH		Sport 160	A111B0703F	1
45a	Plinth, spoiler mounting, RH		Sport 160	A111B0702F	1
46	Gasket, plinth to spoiler, LH		Sport 160	A111U0514K	1
46a	Gasket, plinth to spoiler, RH		Sport 160	A111U0514K	1
47	Gasket, plinth to clamshell, LH		Sport 160	A111U0513K	1
47a	Gasket, plinth to clamshell, RH		Sport 160	A111U0512K	1
48	Elbow, gutter drain	Not illustrated	Boot-box clamshell	A111U6065F	1

*VIN: W 4429 (approx.) plus;
4140, 4315, 4365, 4383. less
4653

ELISE

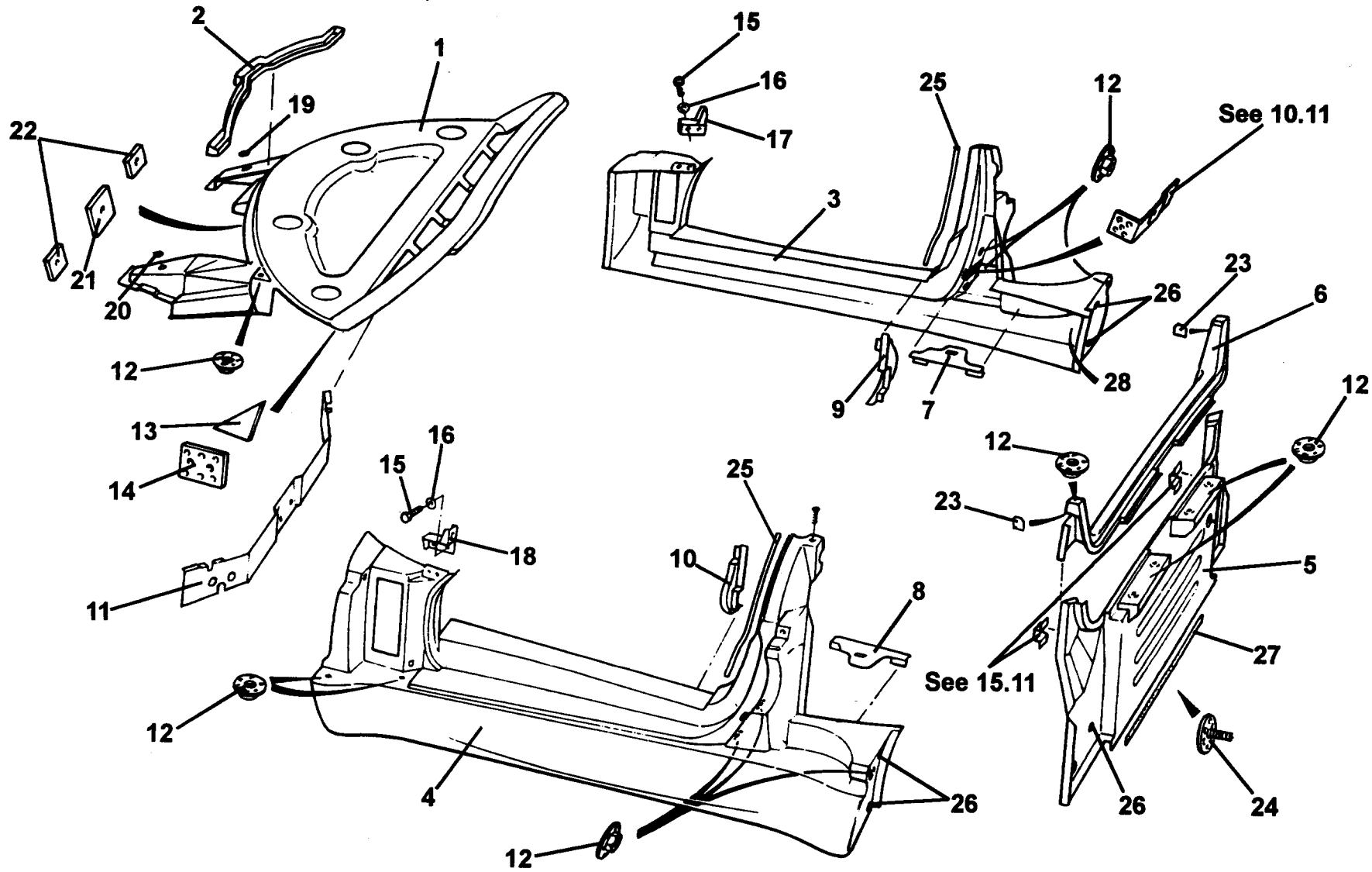
Service Parts List *ELISE*



Function Code 10.02 Body: Sill Panels, Windscreen Frame, & Rear Bulkhead

<u>Dep</u>	<u>Part Description</u>	<u>Remarks</u>	<u>Option</u>	<u>Part Number</u>	<u>Qty</u>
01	Windscreen Frame Assembly		Painted	A111B0173J	1
02	Gutter, windscreen frame			A111B0106K	1
03	Sill Panel, RH		RHD	A111B0168J	1
3a	Sill Panel, RH		LHD	A111B0166J	1
04	Sill Panel, LH		RHD	A111B0167J	1
04a	Sill Panel, LH		LHD	A111B0165J	1
05	Rear bulkhead Assembly	Prior to AC Ccommonisation	Painted	A111B0172J	1
05a	Rear bulkhead Assembly	AC commonisation	Painted	A111B0376J	1
06	Capping Rail, rear bulkhead		Painted	B111B0006K	1
07	Panel, 'B' post closing, RH	Part of sill panel assy.		A111B0150K	1
08	Panel, 'B' post closing, LH	Part of sill panel assy.		A111B0149K	1
09	Baffle, sill panel, RH	Part of sill panel assy.		B111B0154K	1
10	Baffle, sill panel, LH	Part of sill panel assy.		B111B0154K	1
11	Baffle, scuttle to fascia top			B111B0153K	1
12	Captive Nut, M8, big hd.			A111W6592F	18
13	Packing Piece, screen frame			A111U0290F	2
14	Tapping Plate, screen frame			A111B0180F	2
15	Screw, M6 x 20, hex. hd.			A111W1155F	4

ELISE



ELISE
10.02

Function Code 10.02 Body: Sill Panels, Windscreen Frame, & Rear Bulkhead

<u>Dep</u>	<u>Part Description</u>	<u>Remarks</u>	<u>Option</u>	<u>Part Number</u>	<u>Qty</u>
16	Washer, flat, M6 x 15 x x1.5			A082W4133F	4
17	Bracket, 'A' post, RH			B111B0112F	1
18	Bracket, 'A' post, LH			B111B0111F	1
19	Grommet	Fitted driver's side only		X036B6010Z	1
20	Blanking Grommet, 12.5mm	Fitted passenger side only		A100B6163F	1
21	Plate, wiper assy. mounting, centre			B111B0009K	1
22	Plate, wiper assy. mounting, outer			B111B0010K	2
23	Backing Plate, capping rail			A111B0295F	2
24	Captive Stud. M6 X 25, bulkhead to heatshield fix.			A082W6310F	2
25	Edge Finisher, 'B' post			B111U0231K	2
26	Blanking Grommet, 12.5mm sill panels & bulkhead			A100B6163F	12
27	Foam Strip, self adhesive, 10 x 3mm, bulkhead/chassis seal			A111P0214K	1
28	Foam Strip, cellular PVC, self adhesive, inner sill panels			A111B6000V	As req.

ELISE

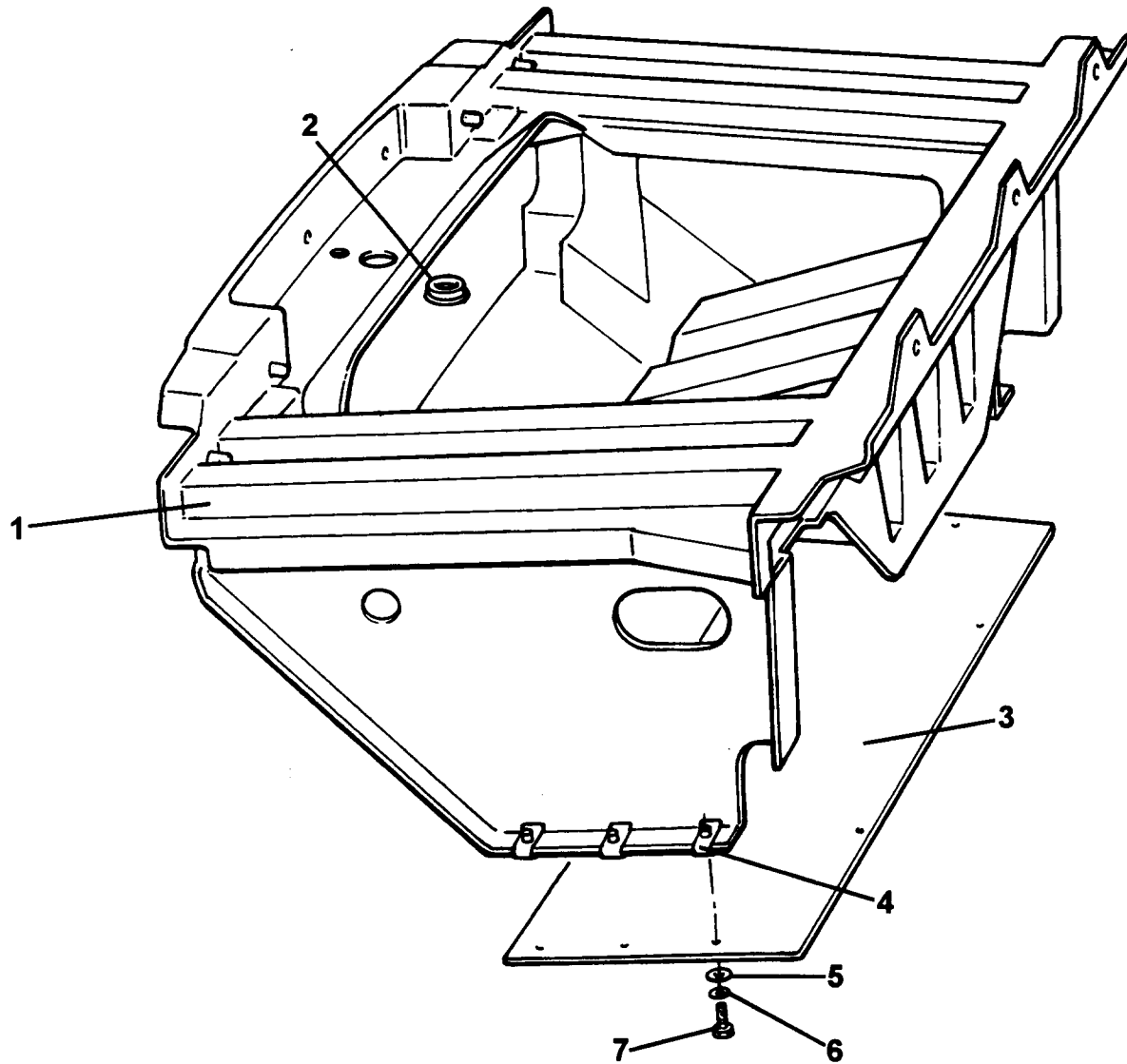
Service Parts List *ELISE*



Function Code 10.04 Crash Structures

<u>Dep</u>	<u>Part Description</u>	<u>Remarks</u>	<u>Option</u>	<u>Part Number</u>	<u>Qty</u>
01	Front Crash Structure Assembly			C111B0012J	1
02	Grommet, blanking, crash structure			A082B6075F	1
03	Panel, front undershield			A111B0011F	1
04	Spirenut M6, undershield fix			A079W6156F	6
05	Screw, M6 x 25, pozi., undershield fix			A075W5089Z	9
06	Washer, spring, M6, undershield fix			A075W4035Z	9
07	Washer, flat, M6 x 15 x 1.5, undershield fix			A075W4015Z	9
08	Betaseal 1701, crash structure bonding	Not illustrated		A082B6281F	300mm

ELISE



ELISE
10.04

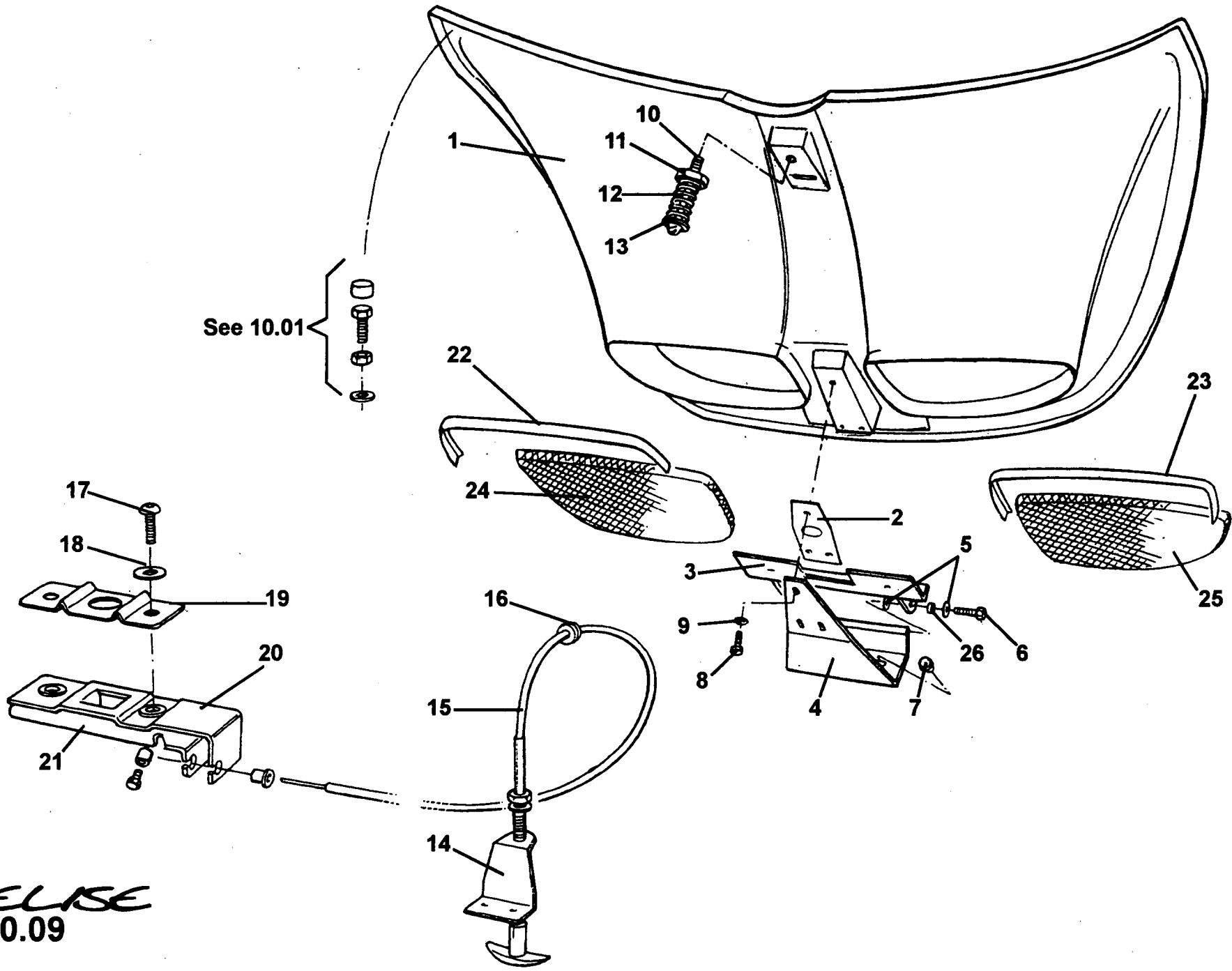
Service Parts List *ELISE*



Function Code 10.09 Front Bonnet & Release Mechanism

<u>Dep</u>	<u>Part Description</u>	<u>Remarks</u>	<u>Option</u>	<u>Part Number</u>	<u>Qty</u>
01	Front Bonnet Assembly			A111B0076J	1
02	Shim, 1mm, hinge to bonnet			A111U0374F	As req.
02a	Shim, 4mm, hinge to bonnet			A111U0375F	As req.
03	Bracket Front Hinge	Bonded to front clamshell		B111U0028F	1
04	Hinge Rotor			B111U0029F	1
05	Washer, shakeproof, M5			A075W4045Z	2
06	Setscrew M5 x 16, hex. hd.	Hinge pivot		A082W1088F	2
07	Buffer, hinge upstop			A075U6050F	2
08	Setscrew, M6 x 25, hex. hd.			A111W1150F	3
09	Washer, flat, M6 x 14			A082W4133F	3
10	Striker Pin			A082U6091F	1
11	Nut, striker pin			A111U6021F	1
12	Spring, striker pin			A111U6023F	1
13	Spring Retainer Cup			A111U6022F	1
14	Abutment, release cable			A111U0096F	1
15	Release Cable, front bonnet			B111U0031F	1
16	Grommet			A082L6159F	1
17	Screw, M8 x 20, pan hd.,pozi.			A075W5095F	2

ELISE



ELISE
10.09

Function Code 10.09 Front Bonnet & Release Mechanism

<u>Dep</u>	<u>Part Description</u>	<u>Remarks</u>	<u>Option</u>	<u>Part Number</u>	<u>Qty</u>
18	Washer, shakeproof, M8			A075W4048F	2
19	Guide Plate			A100U0035F	1
20	Slider Assembly			A082U6087F	1
21	Spring, slider assembly			A111U6020F	1
22	Finisher, outlet grille LH			A111B0135K	1
23	Finisher, outlet grille RH			A111B0134K	1
24	Outlet Grille LH			A111B0130F	1
25	Outlet Grille RH			A111B0131F	1
26	Spacer Hinge Pivot			A111U6035F	2

ELISE

Service Parts List

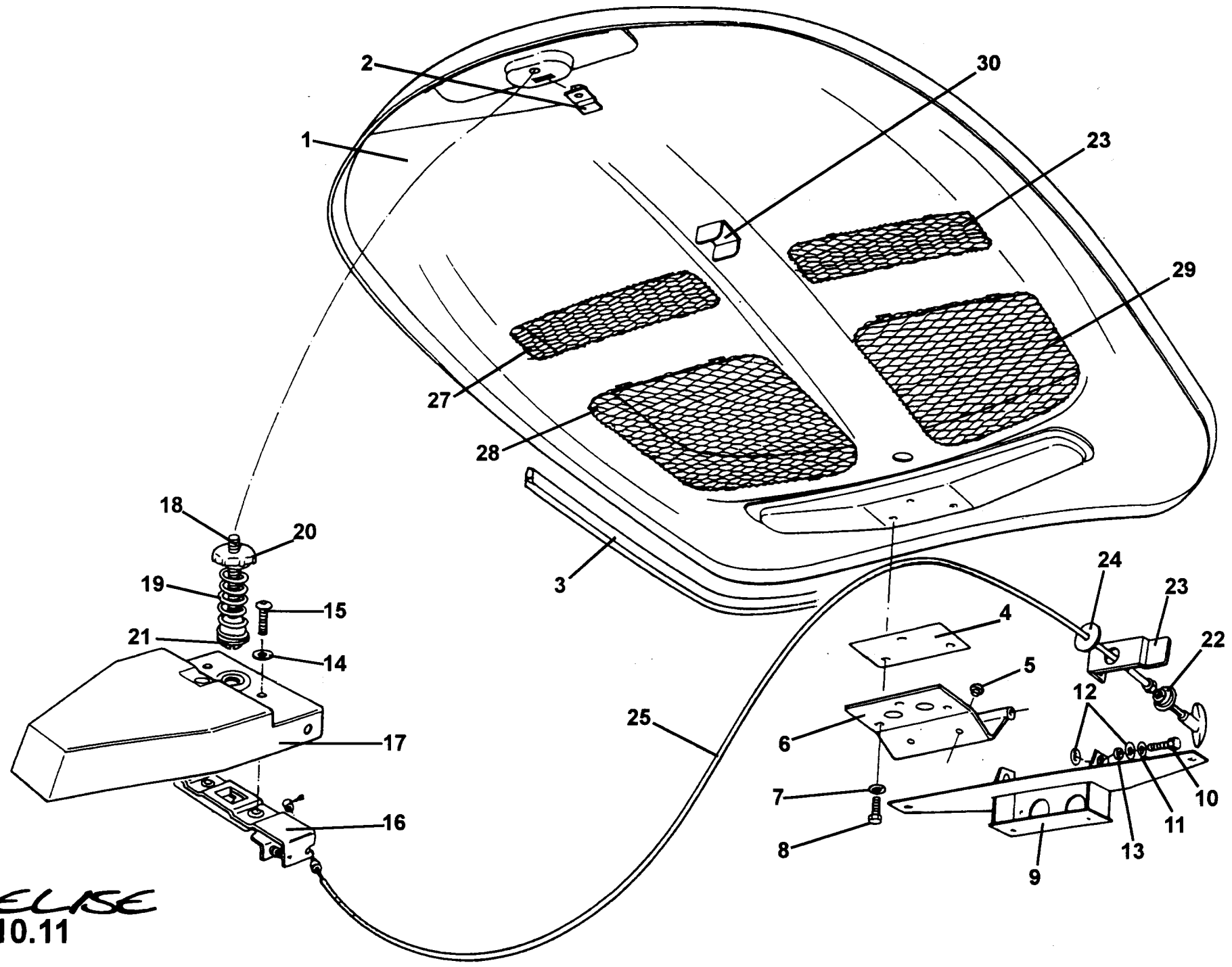
ELISE



Function Code 10.11 Engine Cover Lid & Release Mechanism

<u>Dep</u>	<u>Part Description</u>	<u>Remarks</u>	<u>Option</u>	<u>Part Number</u>	<u>Qty</u>
01	Engine Cover Assembly, alloy			A111B0086J	1
01a	Engine Cover Assembly, composite	All cars from VIN:TBA	111S	B111B0469J	1
02	Nut Plate, M10, floating			B111U0032F	1
03	Weather Seal, clamshell flange			B111U0195K	As req.
04	Shim, 1mm, hinge to engine cover			A111U0372F	As req.
04a	Shim, 4mm, hinge to engine cover			A111U0373F	As req.
05	Buffer, hinge upstop			A075U6050F	2
06	Hinge Rotor			A111U0034F	1
07	Washer, flat, M6 x 14			A082W4133F	3
08	Setscrew, M6 x 25 hex. hd.			A111W1150F	3
09	Bracket Rear Hinge	Bonded into engine bulkhead		C111U0033F	1
10	Screw, M5 x16, pan hd. pozi.	Hinge pivot		A082W1088F	2
11	Washer, shakeproof, M5			A075W4045Z	2
12	Washer, flat, 3/16 x 3/4			A082W4107F	4
13	Spacer, hinge pivot			A111U6035F	2
14	Washer, shakeproof, M8			A075W4048Z	2
15	Screw, M8 x 20, pan hd. pozi.			A075W5095F	2
16	Slider Assembly			A082U6087F	1

ELISE



ELISE
10.11

Function Code 10.11 Engine Cover Lid & Release Mechanism

<u>Dep</u>	<u>Part Description</u>	<u>Remarks</u>	<u>Option</u>	<u>Part Number</u>	<u>Qty</u>
17	Mounting Plinth, latch assy.	Bonded to rear clamshell		B111B0158K	1
18	Striker Pin			A082U6091F	1
19	Spring, striker pin			A111U6023F	1
20	Nut, striker pin			A111U6021F	1
21	Spring Retainer Cup			A111U6022F	1
22	Finisher Ring, release handle to 'B' post			A111U0142K	1
23	Abutment, engine cover release cable			A111U0141F	1
24	Grommet, 5mm ID, release cable			A111B0085K	1
25	Release Cable, engine cover			B111U0036F	1
26	Grille, rear RH	Alloy engine cover		B111B0046F	1
26a	Grille, rear RH	Composite engine cover	111S	A111B0538F	1
27	Grille, rear LH	Alloy engine cover		B111B0047F	1
27a	Grille, rear LH	Composite engine cover	111S	A111B0539F	1
28	Grille, front LH	Alloy engine cover		B111B0045F	1
28a	Grille, front LH	Composite engine cover	111S	A111B0537F	1
29	Grille, front RH	Alloy engine cover		B111B0044F	1
29a	Grille, front RH	Composite engine cover	111S	A111B0536F	1
30	Locating Channel, boot bag lid/prop	Bonded to engine cover (alloy)		A111U0248F	1
30a	Locating Bracket, lid prop	Bonded to engine cover (alloy)		A111U04373F	1
30b	Locating Bracket, lid prop	Bonded to engine cover (composite)	111S	A111U0435F	1

ELISE

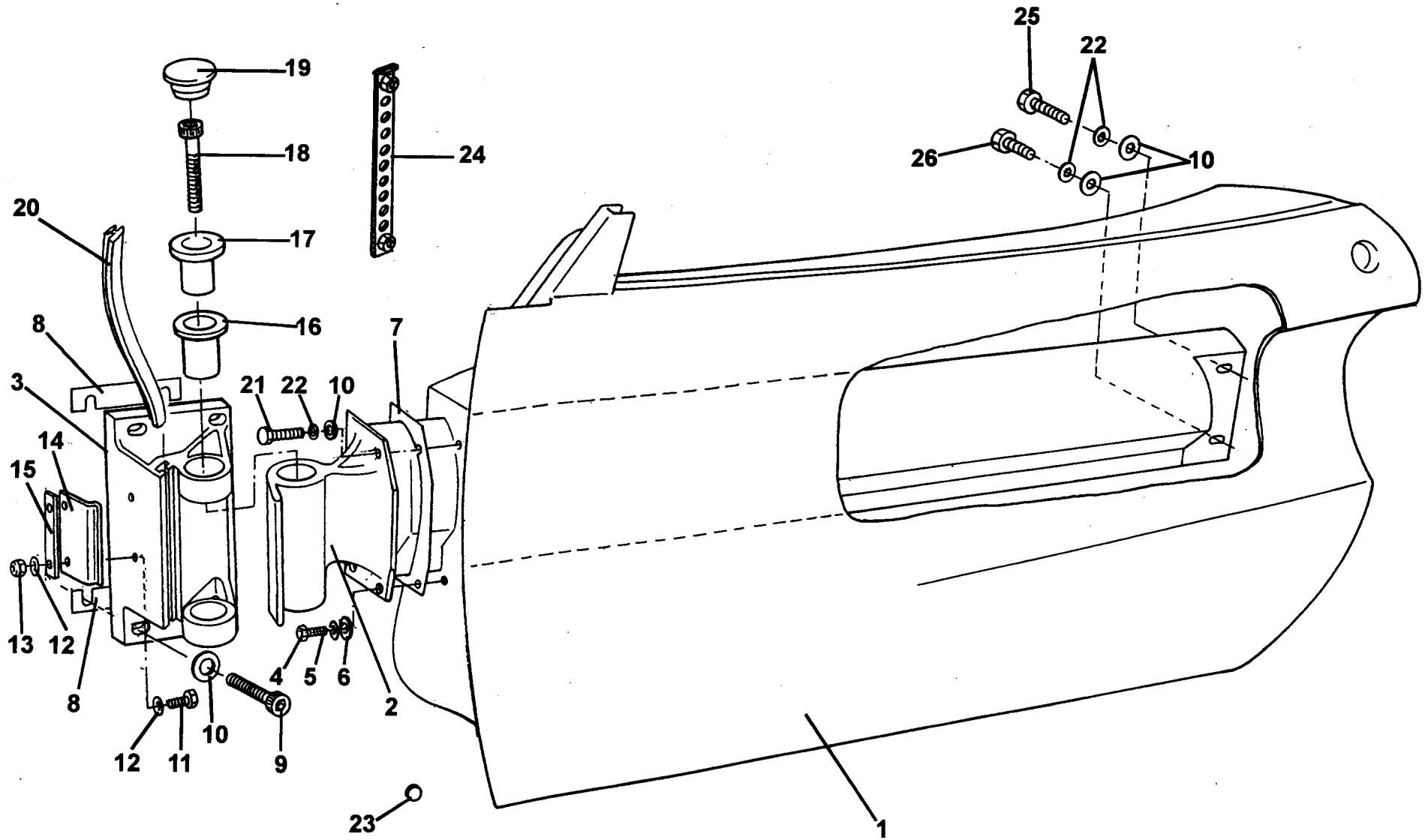
Service Parts List *ELISE*



Function Code 10.15 Door Shells, Beams, Hinges

<u>Dep</u>	<u>Part Description</u>	<u>Remarks</u>	<u>Option</u>	<u>Part Number</u>	<u>Qty</u>
01	Door Assembly, LH	Includes front glass guide channel		B111B0061J	1
01a	Door Assembly, RH	Includes front glass guide channel		B111B0060J	1
02	Door Beam, LH			C111U0023F	1
02a	Door Beam, RH			C111U0022F	1
03	Hinge, chassis to door beam			A111U0055F	2
04	Setscrew, M6 x 20, hex. hd., beam to door fix.			A075W1030Z	4
05	Washer, shakeproof, M6			A075W4046Z	4
06	Washer, flat, M6 x 1.5			A075W4015Z	4
07	Spacer, door beam	Obsolete 31/01/97		B111U0196F	2
08	Shim, door hinge, 1.0mm			A111B0316F	As req
08a	Shim, door hinge, 1.5mm			A111B0317F	As req
08b	Shim, door hinge, 2.0mm			B111B0314F	As req.
08c	Shim, door hinge, 3.0mm			B111B0315F	As req
09	Screw, M8 x 30, cap hd.			A089W7052F	8
10	Washer, flat, M8 x 16.6 x 1.4			A075W4020Z	18
11	Screw, M6 x M20, hex. hd.			A075W1030Z	4
12	Washer, flat, M6			A075W4013Z	8
13	Nut, M6, Nyloc			A075W3009Z	4

ELISE



ELISE
 10.15

Function Code 10.15 Door Shells, Beams, Hinges

<u>Dep</u>	<u>Part Description</u>	<u>Remarks</u>	<u>Option</u>	<u>Part Number</u>	<u>Qty</u>
14	Spring Plate, door check			C111B0174F	2
15	Support Plate, door check spring			C111B0175F	2
16	Bearing, door hinge			A111U6025F	4
17	Bush, door hinge			A111U0057F	4
18	Screw, M10 x 30, cap hd.			A075W7030F	4
19	Dust Cap, door hinge			A111U6024F	2
20	Door Stop Buffer Strip			B111B0178K	2
21	Setscrew, M8 x 20, hex. hd.	Door beam to door		A075W1038Z	4
22	Washer, shakeproof, M8			A075W4048Z	10
23	Buffer, self adhesive, door shut gap			A111J6025F	10
24	Nutplate, door hinges	Fitted in chassis		A111U0056F	4
25	Bolt, M8 x 45, hex,hd.,beam to rear bracket, upper			A075W2040Z	2
26	Setscrew, M8 x 25, hex. hd.,, beam to rear bracket, lower			A075W1039Z	2

ELISE

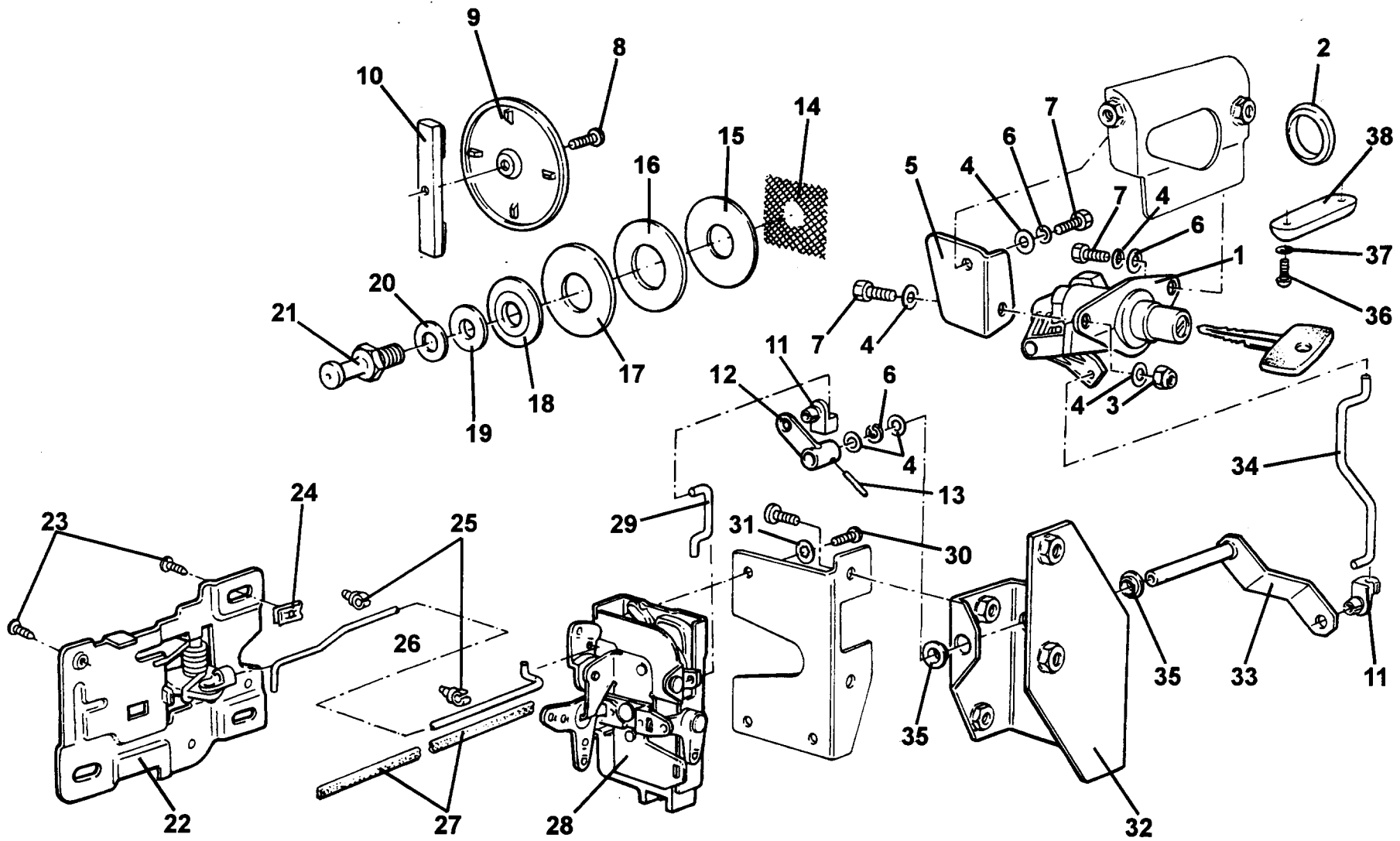
Service Parts List *ELISE*



Function Code 10.17 Door Latch Mechanism

<u>Dep</u>	<u>Part Description</u>	<u>Remarks</u>	<u>Option</u>	<u>Part Number</u>	<u>Qty</u>
01	Exterior Lock/Release Assembly. RH/LH			A111U0182K	2
01a	Vehicle Lock Set	Not illustrated, comprising; 1 lock, 2 ext. release assys.		A111U0326S	1
02	Blanking Grommet, linkage access hole			A082B6057F	2
03	Nut, nyloc, M6, support brkt fix			A082B6057F	2
04	Washer, flat, M6 x 12.1 x 1.4, support brkt fix			A075W4013Z	12
05	Support Bracket, release button, LH			A111U0093F	1
05a	Support Bracket, release button, RH			A111U0092F	1
06	Washer, spring, M6, support brkt. fix.			A075W4035Z	6
07	Setscrew, M6 x 16, support brkt. fix.			A075W1028Z	6
08	Screw, M5 x 10, pozi, cover plate fix			A111W5223F	2
09	Cover Plate, mechanism access hole			B111U0094K	2
10	Fixing Strap, cover plate			A111U0095K	2
11	Nylon Clip, linkage retention			A082U6267F	4
12	Lever, door latch release			A111U0122F	2
13	Roll Pin, door latch lever to spindle retention			A111U6560F	2
14	Shim, expanded stainless, door striker attachment			A111U0215F	2
15	Shim, 2mm, door striker pin			A111U0220F	2
16	Shim, 4mm, door striker pin			A111U0219F	2

ELISE

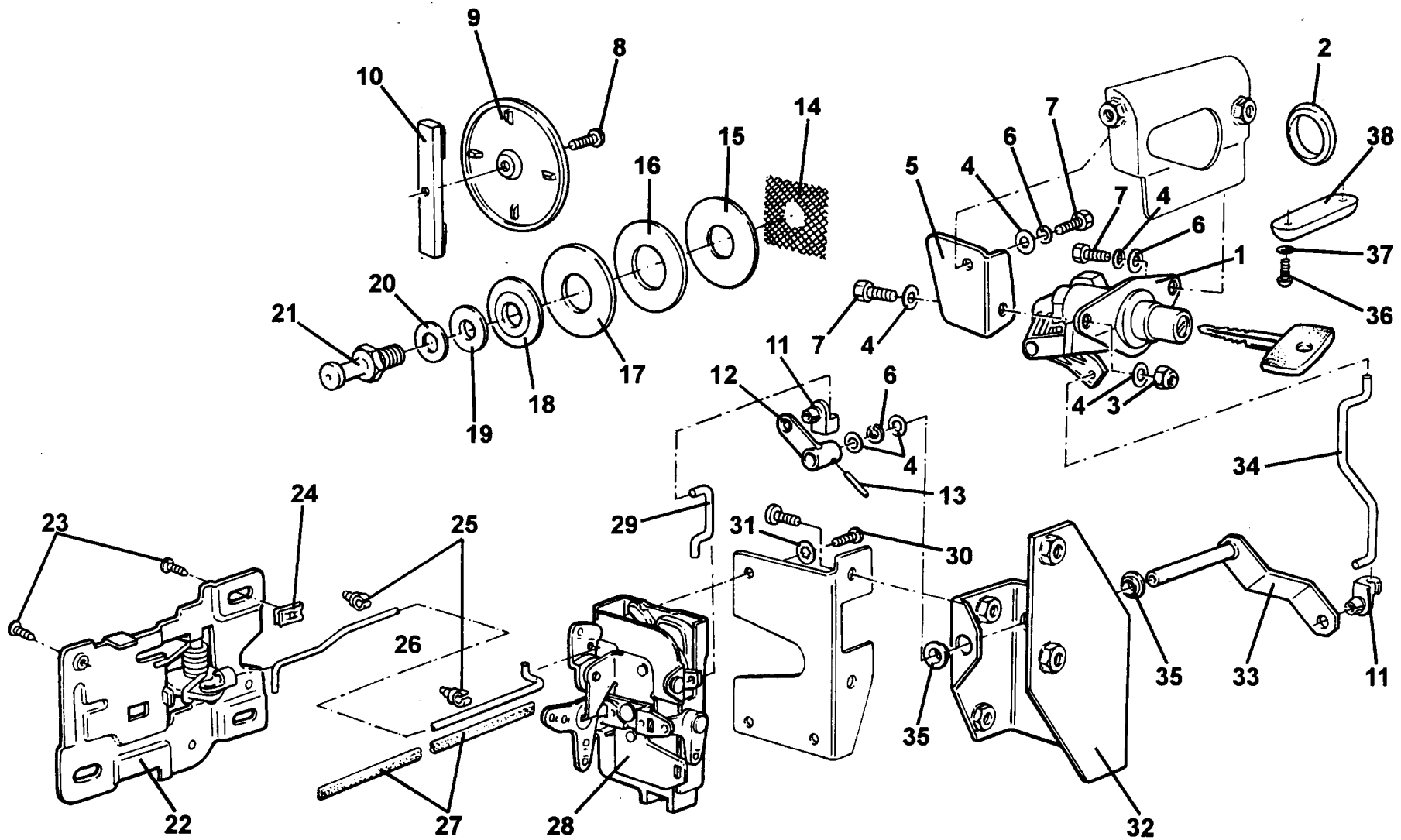


ELISE
10.17

Function Code 10.17 Door Latch Mechanism

<u>Dep</u>	<u>Part Description</u>	<u>Remarks</u>	<u>Option</u>	<u>Part Number</u>	<u>Qty</u>
17	Front Collar, door striker pin			A111U0138F	2
18	Finisher, door striker pin			A111U0137K	2
19	Washer, striker			A111U0136F	2
20	Washer, flat, M12 x 24 x 1.6, door striker pin			A075W4071F	2
21	Striker Pin, door latch			A111U6003F	2
22	Release, door latch, interior, LH			A111U6005F	1
22a	Release, door latch, interior, RH			A111U6004F	1
23	Screw, No. 8 x 3/4", pozi., door release fix.			A075W5074Z	6
24	Spire Nut, No 8 captive, door release fix.			A075W6016Z	4
25	Plastic Clip, interior release rod guide			A075J6027Z	4
26	Rod, interior release to latch, LH			B111U0133F	1
26a	Rod, interior release to latch, RH			B111U0132F	1
27	Foam Strip, 19 x 3mm			A082U6067F	As req.
28	Latch mechanism, LH			A111U6007F	1
28a	Latch mechanism, RH			A111U6006F	1
29	Rod, latch to lever assy.			A111U0134F	2
30	Screw, pozi, M6, door latch fix.			A111W5214F	6
31	Washer, shakeproof, M6, door latch fix.			A075W4046Z	6
32	Braket, door beam attachment, LH			A111U0069F	1
32a	Braket, door beam attachment, RH			A111U0068F	1
33	Spindle/Lever, door latch release, LH			C111U0121F	1

ELISE



ELISE
10.17

Function Code 10.17 Door Latch Mechanism

<u>Dep</u>	<u>Part Description</u>	<u>Remarks</u>	<u>Option</u>	<u>Part Number</u>	<u>Qty</u>
33a	Spindle/Lever, door latch release, RH			C111U0120F	1
34	Rod, latch to release button			B111U0135F	2
35	Bush, lever/spindle assy.			A111U0125H	4
36	Screw, M4 x 16 pozi., exterior door pull fix.			A100W5133F	4
37	Washer, flat, M4 x 9 x 0.8, exterior door pull fix.			A082W4099F	4
38	Door Pull, exterior			A111B0028F	2

ELISE

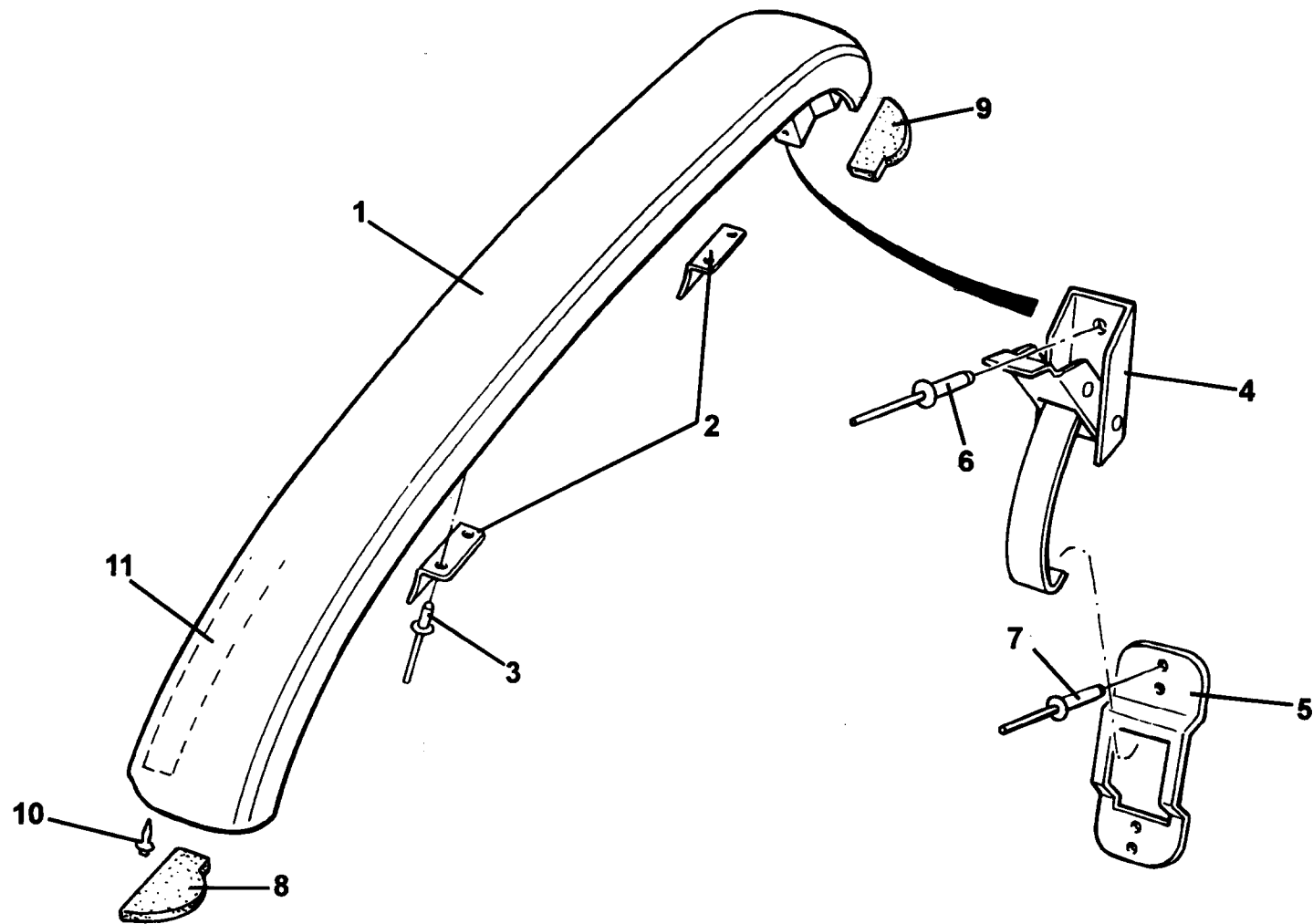
Service Parts List *ELISE*



Function Code 10.20 Roll-Over Bar Fairing & Fixings

<u>Dep</u>	<u>Part Description</u>	<u>Remarks</u>	<u>Option</u>	<u>Part Number</u>	<u>Qty</u>
01	Roll Over Bar Fairing			A111B0239J	1
02	Clip Upper, rear window retaining			B111B0291F	2
03	Pop Rivet, rear window clip fix.			A075W6070Z	4
04	Latch Assembly, cover retention			A111B6054F	2
05	Keeper Plate			B111B0290F	2
06	Pop Rivet, latch fix.			A075W6070Z	4
07	Pop Rivet, keeper fix.			A082W6512F	8
08	Gasket, roll bar cover LH			C111B0247F	1
09	Gasket, roll bar cover RH			C111B0248F	1
10	Buffer, plastic fastener			A111W6535F	2
11	Lining, roll over bar fairing			A111V0159K	1

ELISE



ELISE
10.20

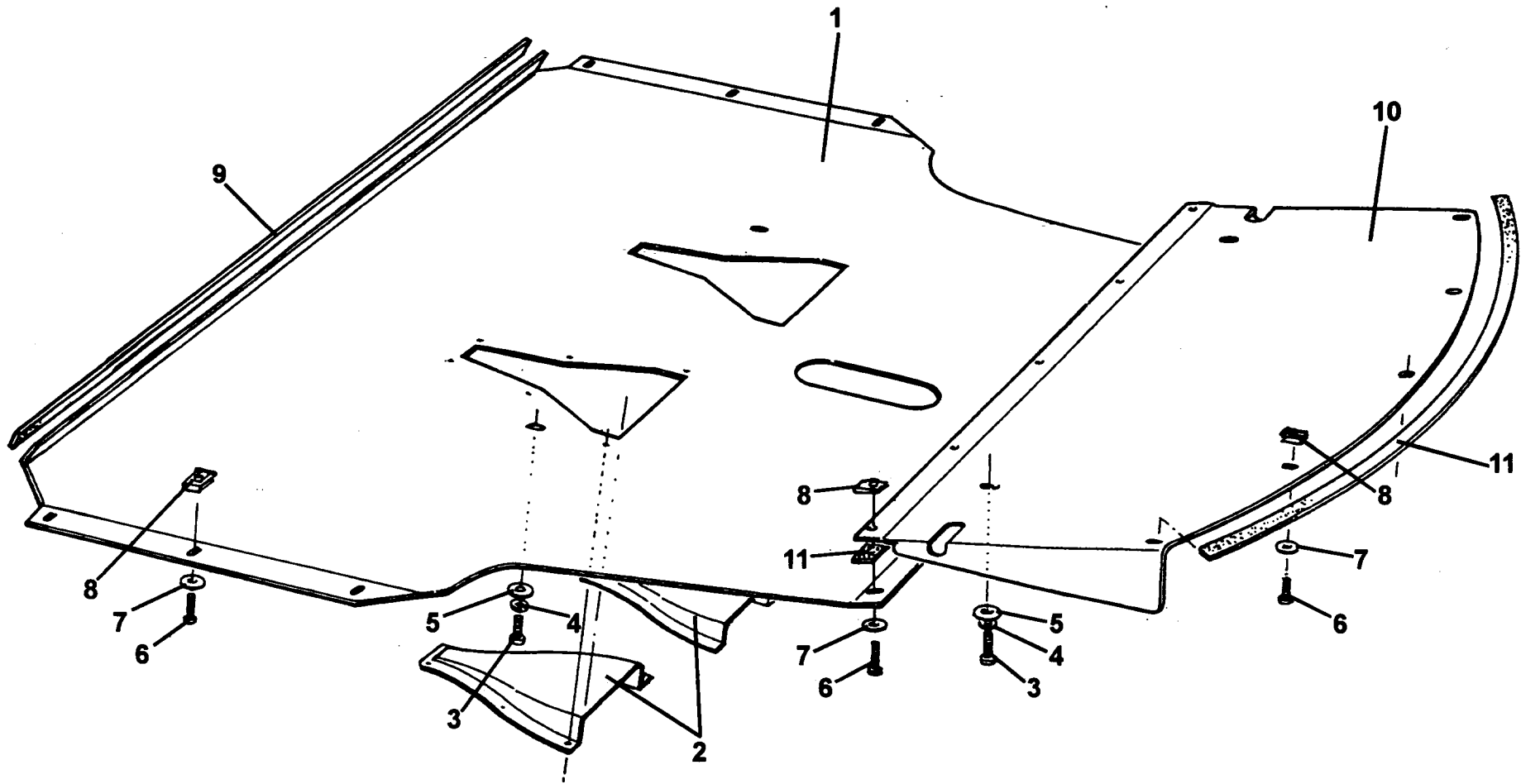
Service Parts List *ELISE*



Function Code 10.25 Undertray & Diffuser

<u>Dep</u>	<u>Part Description</u>	<u>Remarks</u>	<u>Option</u>	<u>Part Number</u>	<u>Qty</u>
01	Undertray	Without NACA ducts		B111A0214F	1
01a	Undertray Assembly	With NACA ducts		A111A0220J	1
02	NACA Duct	Part of item 1		A111A0218K	2
03	Screw, M8 x 25, button hd.			A111W7115F	4
04	Washer, spring, M8			A075W4036Z	4
05	Washer, flat, M8 x 25 mmx 1.4 mm			A111W4156F	4
06	Screw, M5 x 16, hex. hd.			A082W5107F	16
07	Washer, flat, M5 x 25 mm x 1.4			A082W4098F	16
08	Spire Nut, M5			A100W6372F	16
09	Foam Strip, self adhesive, 10mm x 6mm			A100B0431V	As req.
10	Diffuser			B111A0215F	1
11	Foam Strip, self adhesive, 19mm x 3mm			A082U6067F	3

ELISE



ELISE
10.25

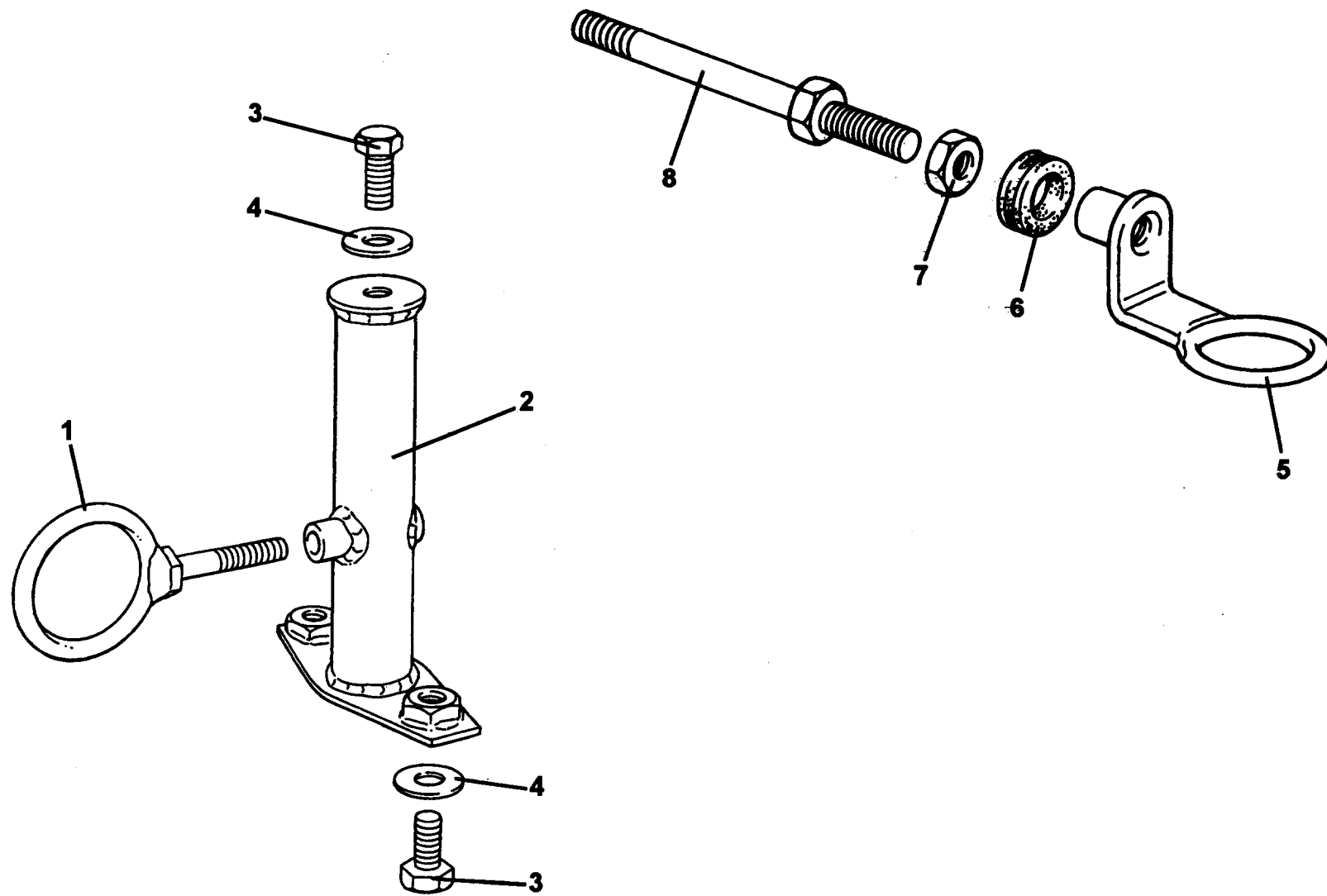
Service Parts List *ELISE*



Function Code 10.31 Towing Strut/ Hook

<u>Dep</u>	<u>Part Description</u>	<u>Remarks</u>	<u>Option</u>	<u>Part Number</u>	<u>Qty</u>
01	Towing Eye	Prior to 111S intro.		A111B0058F	1
01a	Towing Eye	All cars from 111S intro.	111S	A111B0399F	1
02	Mounting Strut, towing eye	Prior to 111S intro.		B111B0057F	1
02a	Mounting Strut, towing eye	All cars from 111S intro.	111S	A111U0456F	1
03	Setscrew, M8 x 35 hex. hd., grade 8.8 Zn			A075W1035Z	3
04	Washer, flat, M8 x 1.4 Zn			A075W4021Z	3
05	Towing Eye, rear	Fixed to roll over bar reinforcement assy.	MOTOR SPORT	A111A0270F	1
06	Grommet	Fitted in polycarbonate rear window	MOTOR SPORT	X036B6167Z	1
07	Lock Nut, M12, towing eye fix.		MOTOR SPORT	A100W3107F	1
08	Stud, M12, towing eye to roll-over bar		MOTOR SPORT	A111A0265S	1

ELISE



ELISE
10.31

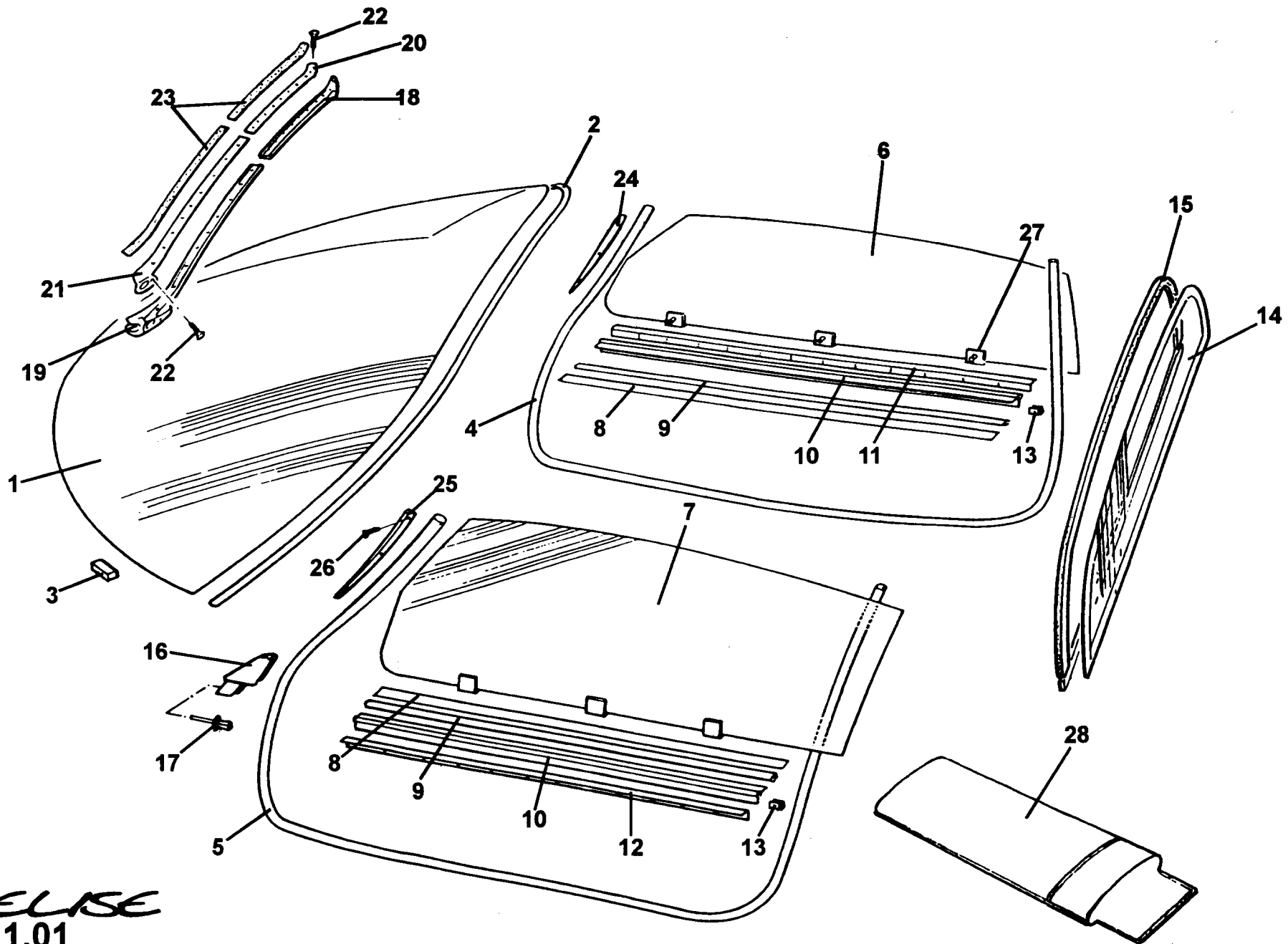
Service Parts List *ELISE*



Function Code 11.01 Windscreen, Door Glass, Seals & Weather Strips

<u>Dep</u>	<u>Part Description</u>	<u>Remarks</u>	<u>Option</u>	<u>Part Number</u>	<u>Qty</u>
01	Windscreen			B111B0037F	1
02	Windscreen Finisher			B111U0088F	2
03	Spacer, windscreen alignment			A075U0588Z	7
04	Primary Door Seal Assembly, RH			D111U0160F	1
05	Primary Door Seal Assembly, LH			D111U0161F	1
06	Door Glass Assembly, RH	Includes stud carriers, item 27		C111B0038F	1
07	Door Glass Assembly, LH	Includes stud carriers, item 27		C111B0039F	1
08	Carrier, inner waist seal	Bonded into door assembly		B111U0149F	2
09	Seal, door waist inner			A111U6033V	2
10	Retainer door waist, outer seal	Bonded into door assembly		A111U0148F	2
11	Seal, door waist, outer, RH			A111U0200F	1
12	Seal, door waist, outer, LH			A111U0201F	1
13	Edge Clip	Outer seal attachment		A111W6568F	18
14	Rear Window, glass		Prior to VIN: X 5558	C111B0187F	1
14a	Rear Window/Housing Assy, glass	Non reflective	From VIN: X 5558	A111B0562J	1
14b	Rear Window, polycarbonate	Light weight	MOTOR SPORT	A111B0368S	1
15	Seal, rear window			B111B0236K	1
15a	Seal, rear window	For non-reflective window assy.		A111U6073V	1

ELISE



ELISE
11.01

Function Code 11.01 Windscreen, Door Glass, Seals & Weather Strips

<u>Dep</u>	<u>Part Description</u>	<u>Remarks</u>	<u>Option</u>	<u>Part Number</u>	<u>Qty</u>
16	Door Cheater Seal			A111U0119F	2
17	Pop Rivet, cheater seal fix.			A079W6195F	2
18	Moulded Plastic Carrier, RH			A111B0210K	1
19	Moulded Plastic Carrier, LH			A111B0209K	1
20	Tongue Strip, RH			C111B0220F	1
21	Tongue Strip, LH			C111B0221F	1
22	Screw, No.6 x 3/4", csk. pozi., tongue strip fixing	Black finish		A075W5026Z	12
23	Gripper Strip	Cut to size from 25M roll		A111B6044V	1M
24	Seal Support, foam, RH	Door seal to 'A' post		B111B0286F	1
24a	Seal Support, plastic, RH			A111B0359K	1
25	Seal Support, foam, LH	Door seal to 'A' post		B111B0285F	1
25a	Seal Support, plastic, LH			A111B1360K	1
26	Screw, No.6 x 3/4", csk. pozi., seal support to 'A' post	Black finish		A075W5026Z	6
27	Stud carrier	Bonded to glass		A111U0341S	6
28	Storage Bag, rear window			A111V0157J	1
29	Permabond Initiator INI 5	Not illustrated, refer to section BN Elise Service Notes		A000Z0043F	As req.
30	Permabond Flexon F246	Not illustrated, refer to section BN Elise Service Notes		B089B6125V	As req.

ELISE

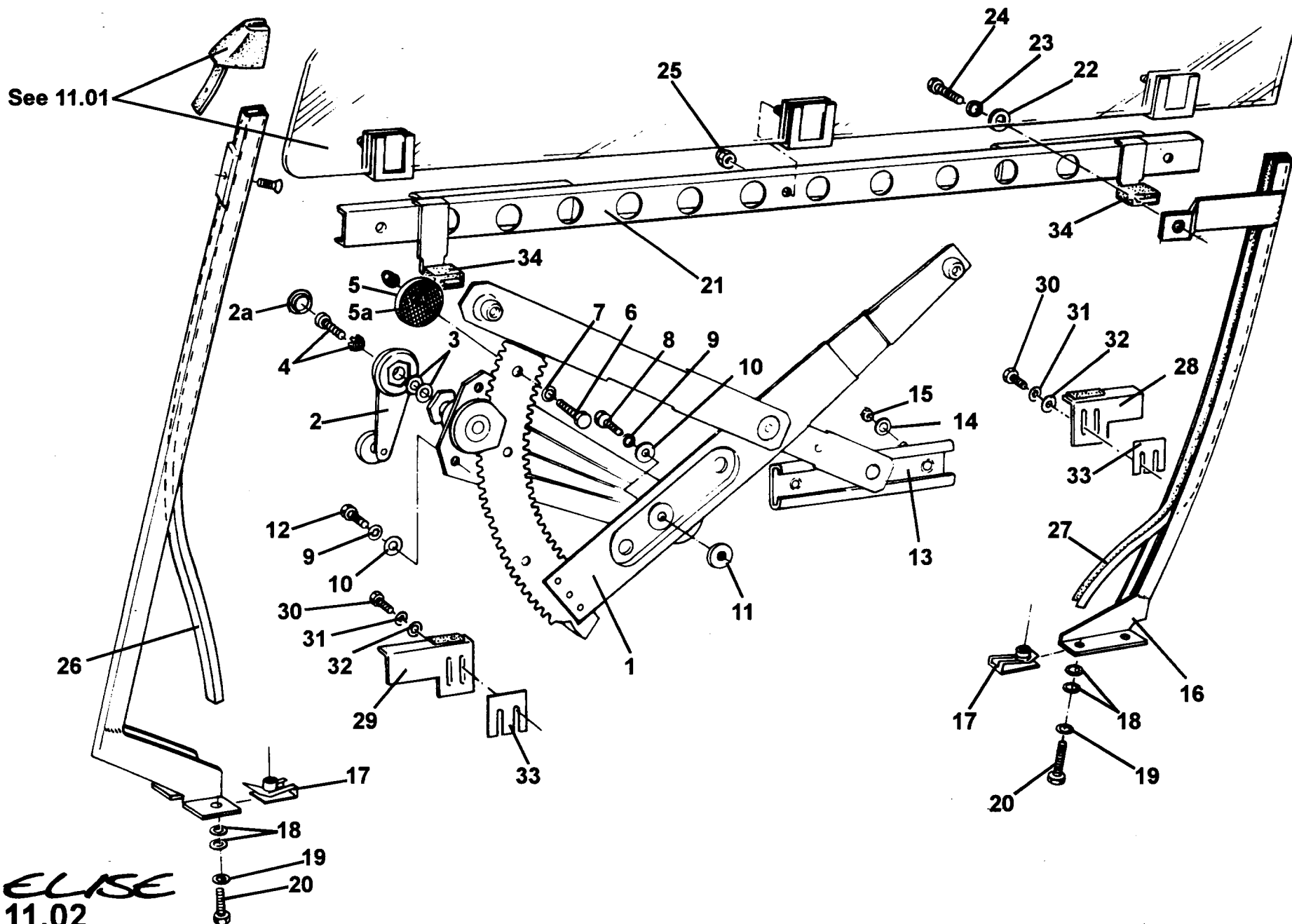
Service Parts List *ELISE*



Function Code 11.02 Door Window Lift Mechanism

<u>Dep</u>	<u>Part Description</u>	<u>Remarks</u>	<u>Option</u>	<u>Part Number</u>	<u>Qty</u>
01	Window Regulator, RH			C111U0082K	1
01a	Window Regulator, LH			C111U0083K	1
02	Window Winder, plastic			A111U6008F	2
02a	Window Winder, alloy		111S	A111U0486F	2
02b	Cap, window regulator handle			A111U6010F	2
03	Spacer, window regulator handle			A082W4109F	4
04	Screw, regulator handle fix, (incl. retaining clip)			A111U6009F	2
05	Eccentric stop			B111U0084F	2
05a	Mesh Washer, eccentric stop			A111U0251F	1
06	Setscrew, eccentric stop fix.			A100W1055F	2
07	Shakeproof Washer			A075W4046Z	2
08	Setscrew, regulator fix			A075W1028Z	2
09	Washer - Spring M6			A075W4035Z	6
10	Washer - flat M6			B082W4018F	6
11	Washer - Spacer			A075W4016Z	2
12	Setscrew M6, regulator fix			A075W1027Z	4
13	Guide Channel, window regulator			A111U6011F	1
14	Washer, flat M5			A075W4000Z	4

ELISE

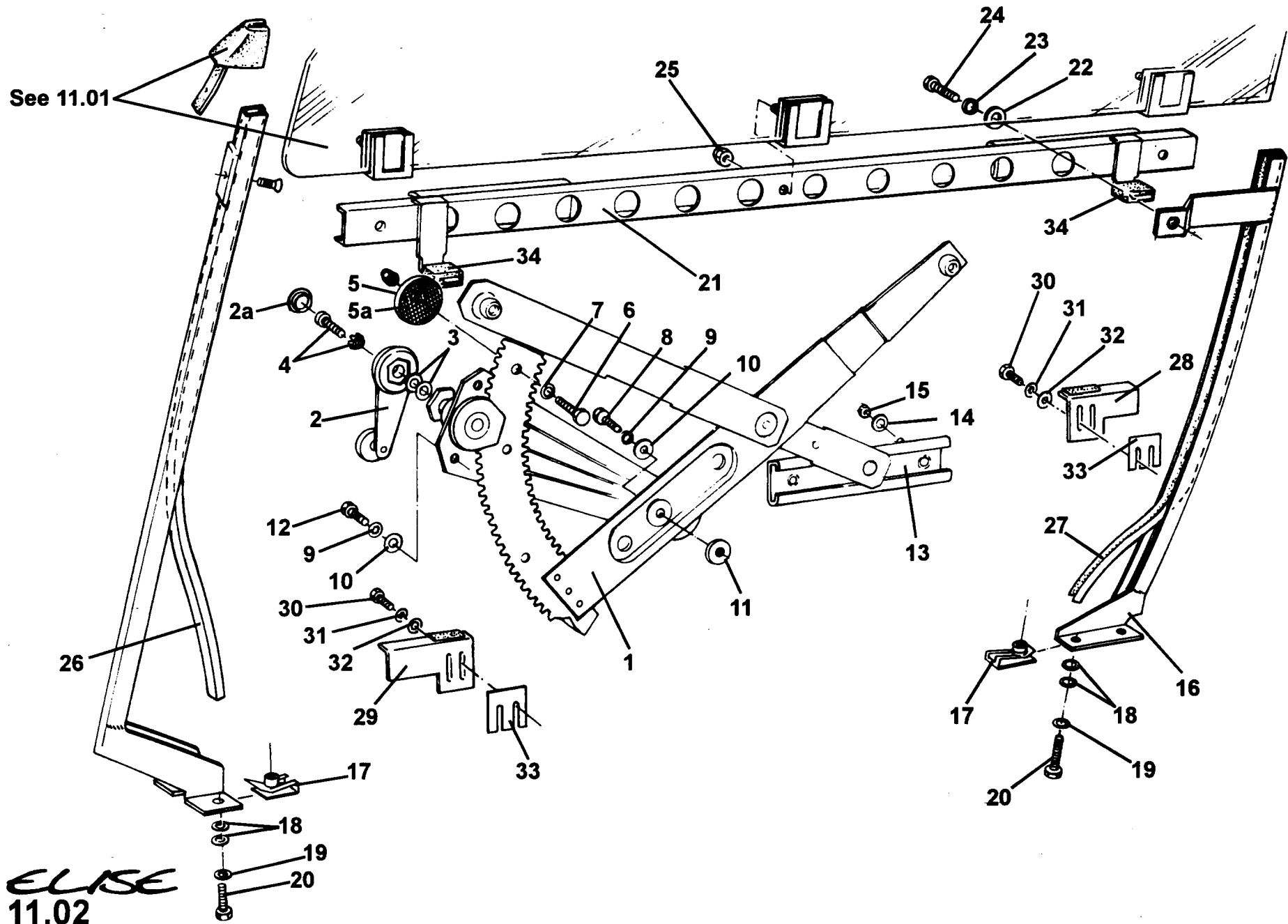


ELISE
11.02

Function Code 11.02 Door Window Lift Mechanism

<u>Dep</u>	<u>Part Description</u>	<u>Remarks</u>	<u>Option</u>	<u>Part Number</u>	<u>Qty</u>
15	Nut, nyloc, M5			A075W3113F	4
16	Channel Assembly, door glass, rear, RH			B111U0040F	1
16a	Channel Assembly, door glass, rear, LH			B111U0039F	1
17	Spirenut, M5, channel assy., fix			A100W6372F	8
18	Washer, flat, 3/16 x 3/4 x 16 SWG			A075W4009Z	8
19	Washer, shakeproof, M5			A0754045Z	4
20	Screw, M5 x 16, pozi., channel assy., fix.			A082W5107F	8
21	Guide Channel, door glass assy.			A111U0025F	2
22	Washer, flat, M8 x 16.6 x 1.4			A075W4020Z	8
23	Washer, shakeproof, M8	Deleted - R/B Loctite243, A918E6027V		A075W4048Z	2
24	Setscrew, M8 x 45, channel assy., fix.			A075W1043Z	2
25	Locknut, guide channel fix.			A907E6285F	6
26	Silent Channel, front			B111U0054K	2
27	Silent Channel, rear			B111U0053K	2
28	Bracket, upstop, LH			B111U0259F	2
29	Bracket, upstop, RH			B111U0260F	2
30	Screw, M6 x 20, hex. hd.,upstop bracket fix.			A111W1155F	8
31	Washer, spring, M6			A075W4035Z	8
32	Washer, flat M6 x 15 x 1.5			A075W4015Z	8
33	Shim, 1.5mm, spacer upstop bracket			A111U0325F	As req.

ELISE



Function Code 11.02 Door Window Lift Mechanism

<u>Dep</u>	<u>Part Description</u>	<u>Remarks</u>	<u>Option</u>	<u>Part Number</u>	<u>Qty</u>
34	Buffer, guide channel upstop			A111U0268F	4
	Nut Plate - Glass stop Bracket to Door Beam	Not illustrated		B111U0292F	4

ELISE

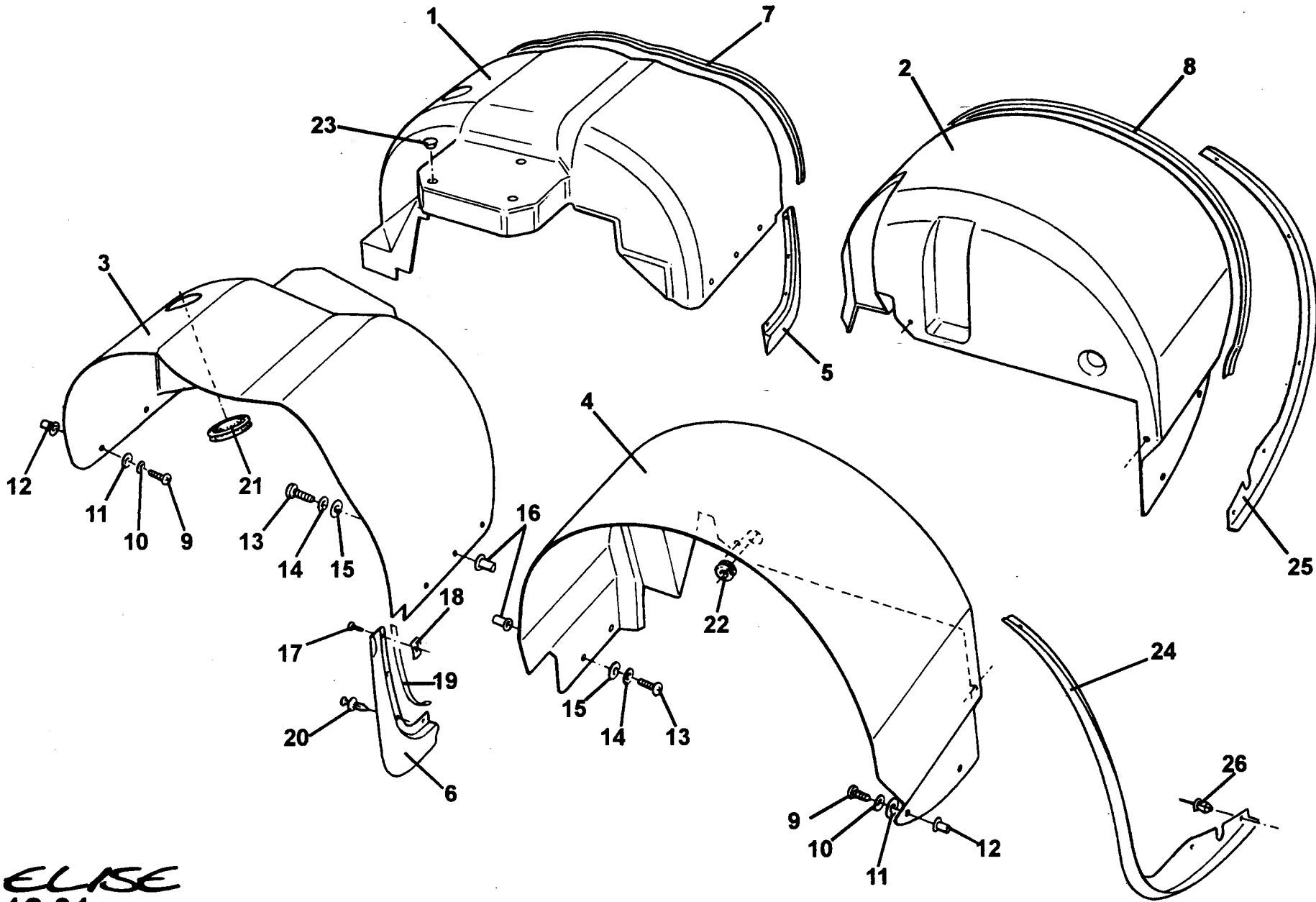
Service Parts List *ELISE*



Function Code 12.01 Wheelarch Liners & Mudflaps

<u>Dep</u>	<u>Part Description</u>	<u>Remarks</u>	<u>Option</u>	<u>Part Number</u>	<u>Qty</u>
01	Wheelarch Liner, front, RH			B111B0162K	1
02	Wheelarch Liner, rear, RH			B111B0124K	1
03	Wheelarch Liner, front, LH			B111B0163K	1
04	Wheelarch Liner, rear, LH			B111B0125K	1
05	Mudflap, front, RH			A111B0312K	1
06	Mudflap, front, LH			A111B0313K	1
07	Weather Seal, front liners			B111U0194K	2x1.4M
08	Weather Seal, rear liners			B111U0195K	2x1.2M
09	Screw, M5 x 20, pozi, pan hd., liner fix.	Front of front liner, rear of rear liner to clamshells		A075W5084F	8
10	Washer, shakeproof, M5			A075W4045Z	4
11	Washer, flat, M5			A075W4011Z	8
12	Rawlnut, M5, clamshells, front & rear			A075W6074F	8
13	Screw, M6 x 25, pozi, pan hd. liner fix.	Rear of front liner, front of rear liner to sills, rear liner to chassis & shear plate		A075W5089Z	14
14	Washer, shakeproof, M6			A075W4046Z	14
15	Washer, flat, M6			A075W4015Z	14
16	Rawlnut, M6 x 15, sills, chassis & shear plate			A075W6141F	14
17	Screw, No.6 x 3/4", pozi, flange hd., mudflap to clamshell			A075W5028F	2

ELISE



ELISE
12.01

Function Code 12.01 Wheelarch Liners & Mudflaps

<u>Dep</u>	<u>Part Description</u>	<u>Remarks</u>	<u>Option</u>	<u>Part Number</u>	<u>Qty</u>
18	Spirenut, No.6, mudflap top fix.			A075W6013Z	2
19	Tape, 12.7mm, double sided, mudflap to sill fix.			C075U6071V	0.7M
20	Fastener, mudflap to sills			A111W6534F	6
21	Blanking Grommet, headlamp bulb access			X026B0371Z	2
22	Grommet G2, 25mm, speed sensor harness			A082L6181F	1
23	Blanking Grommet, 12.5mm, liner services plinth			A100B6163F	3
24	Rear Wheelarch Spat, RH		111S	A111B0540K	1
25	Rear Wheelarch Spat, LH		111S	A111B0541K	1
26	Plastic Fastener, spat fix.		111S	A079W6195F	10

ELISE

Service Parts List *ELISE*



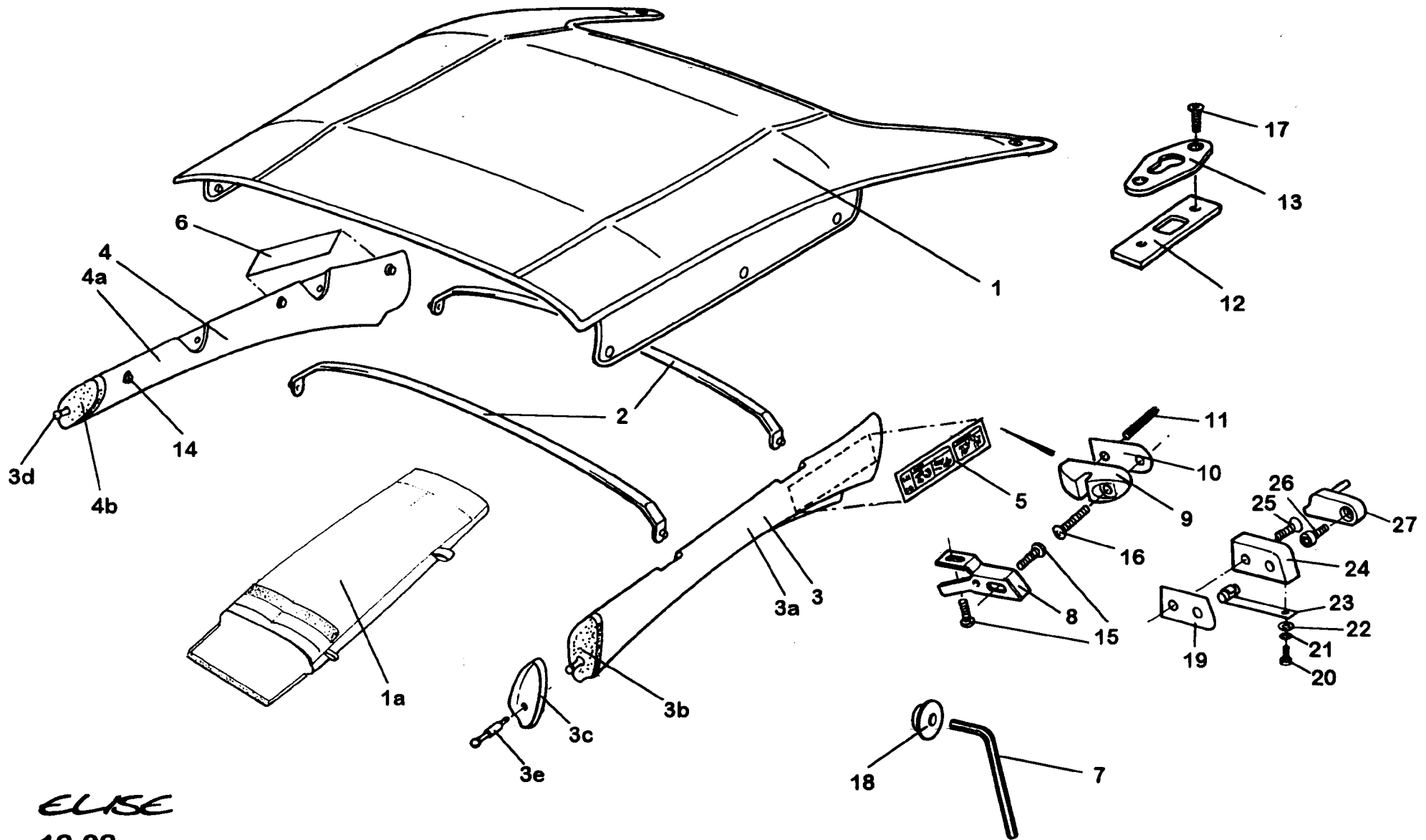
Function Code 12.02 Soft top roof, weather cover, cant rail & fittings

Dep	Part Description	Remarks	Option	Part Number	Qty
01	Soft Top Roof	A level prior to VIN: 3332	Beige / Black, from VIN: 3332	B111B0303J	1
01	Soft Top Roof	A level prior to VIN: 3332	Burgundy / Black, from VIN: 3332	B111B0304J	1
01	Soft Top Roof	A level prior to VIN: 3332	Green / Black, from VIN: 3332	B111B0305J	1
01	Soft Top Roof	A level prior to VIN: 3332	Black / Sailcloth, from VIN: 3332	B111B0240J	1
01	Soft Top Roof	A level prior to VIN: 3332	Black / Black Stayfast, from VIN: 3332	B111B0241J	1
01	Soft Top Roof	A level prior to VIN: 3332	Blue / Black Stayfast, from VIN:3332	B111B0242J	1
01	Soft Top Roof	A level prior to VIN: 3332	Stayfast Dark Cherry, from VIN: 3332	B111B0345J	1
02	Bow, hood support			A111B0213K	2
03	Cant Rail Assembly, LH		Prior to VIN: 3332	A111B0211K	1
03a	Cant Rail Assembly, LH		From VIN: 3332	B111B0353J	1
03b	Foam Gasket , cant rail, LH		Pior to VIN: 3332	B111B0293F	1
03c	Seal, cant rail, LH		From VIN: 3332	D111U0303F	1
04	Cant Rail, Assembly, RH		Prior to VIN: 3332	A111B0212K	1
04a	Cant Rail Assembly, RH		From VIN:3332	B111B0352J	1
04b	Foam Gasket, cant rail, RH		Prior to VIN: 3332	B111B0294F	1

ELISE

Issued: 02-Nov-98

Function Code: 12.02, Page: 1

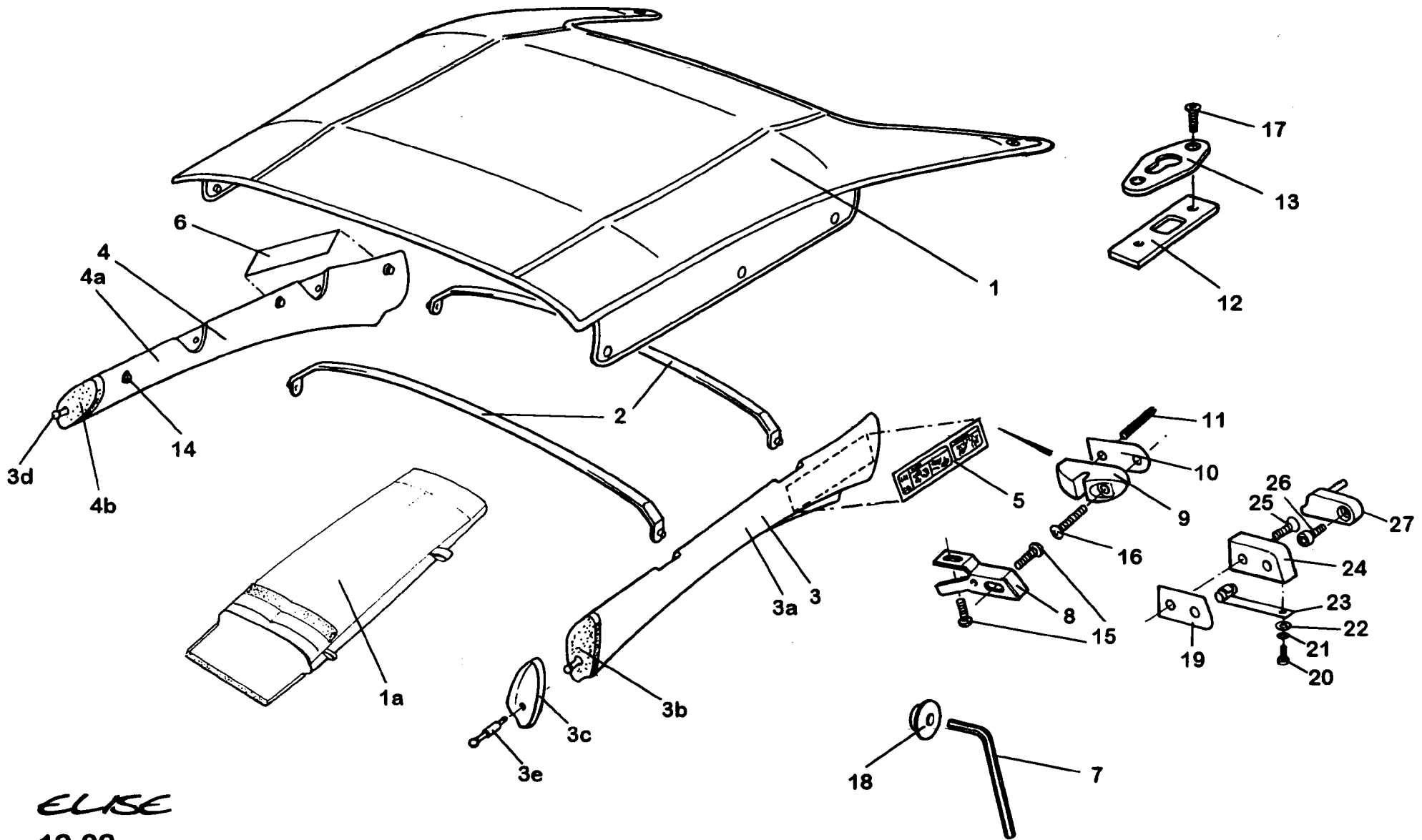


ELISE
12.02

Function Code 12.02 Soft Top Roof, Cant Rails, Hood Bows & Cape

<u>Dep</u>	<u>Part Description</u>	<u>Remarks</u>	<u>Option</u>	<u>Part Number</u>	<u>Qty</u>
04c	Seal, cant rail, RH		From VIN: 3332	D111U0302F	1
05	Label, cant rail fitting Instruction, LH		Prior to VIN: 3332	B111U0243F	1
05a	Label, cant rail fitting Instruction, LH		From VIN: 3332	C111U0243F	1
06	Label, cant rail fitting Instruction, RH		Prior to VIN: 3332	B111U0242F	1
06a	Label, cant rail fitting Instruction, RH		From VIN: 3332	C111U0242F	1
07	Allen Key, soft top tensioning			B111B6042F	1
08	Catch, cant rail, LH			A111B0215F	1
08a	Catch, cant rail, RH			A111B0216F	1
08b	Shim, catch to cant rail	Not illustrated		A111B0217F	4
09	Striker, cant rail.		Prior to VIN: 3332	A111B0208F	1
10	Shim, cant rail striker to body			A111B0218F	4
11	Pin, cant rail			A111B6034F	2
11	Soft Top Roof Stowage Bag			A111V0158J	1
12	Plate, escutcheon retaining			B111B0201F	2
13	Escutcheon, hood tail fixing			A111B0200F	2
14	Rawlnut M6			A075W6140F	6
14	Press Fastener	Roof to cant rail		A111B6076F	6
15	Screw	Cant rail catches		A075W5040Z	4
16	Screw	Striker to 'B' post		A111W7146F	2
17	Screw M4 x 16	Escutcheon fix		A111W5219F	4
18	Grommet, allen key stowage	Also see 15.11		A036B6182Z	1

ELISE

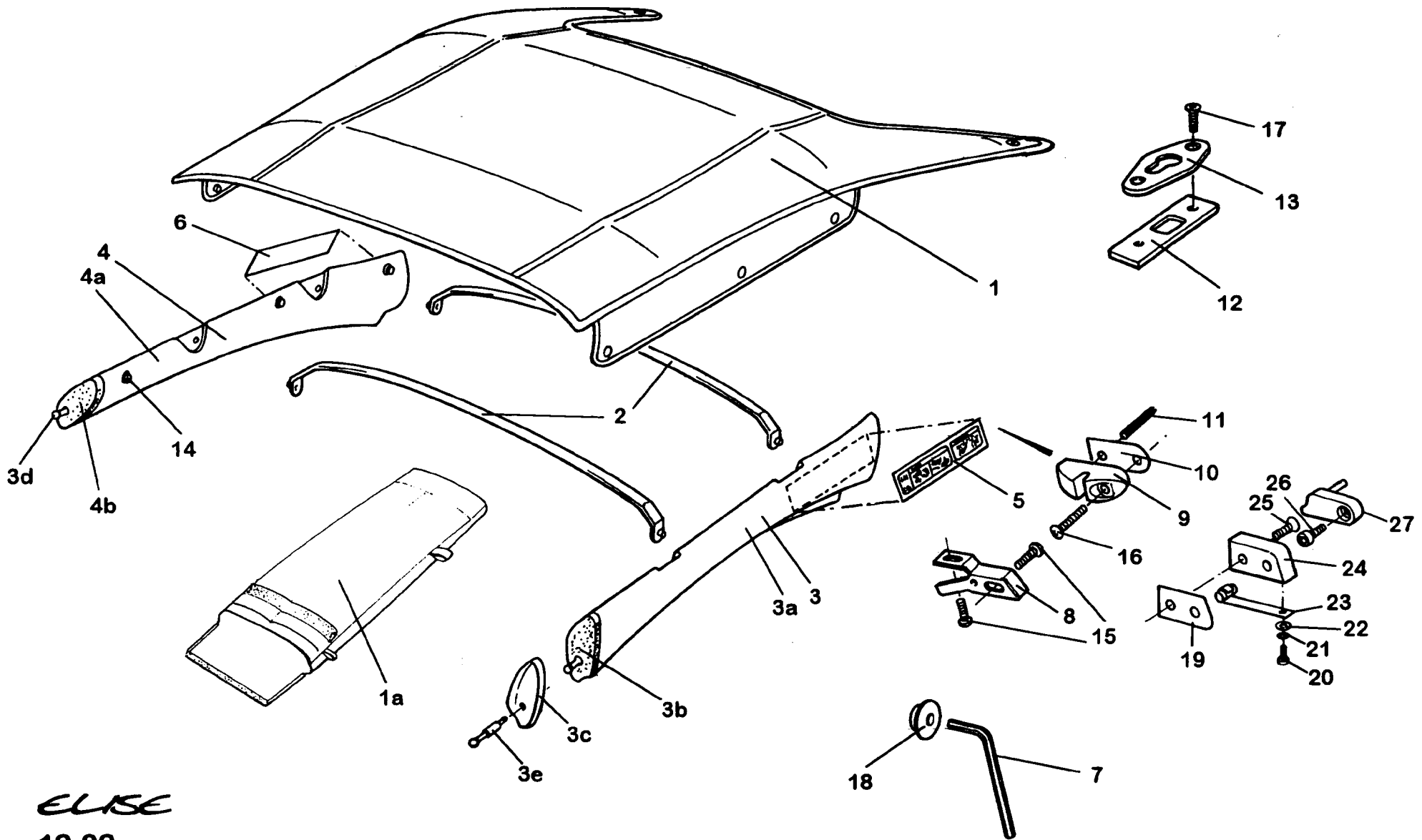


ELISE
12.02

Function Code 12.02 Soft Top Roof, Cant Rails, Hood Bows & Cape

<u>Dep</u>	<u>Part Description</u>	<u>Remarks</u>	<u>Option</u>	<u>Part Number</u>	<u>Qty</u>
19	Shim, 1mm, cant rail catch adjustment		From VIN: 3332	A111U0400F	As req.
19a	Shim, 3mm, cant rail catch adjustment		From VIN: 3332	A111U0401F	As req.
20	Screw, pozi, cant rail catch spring fix			B075W5079F	2
21	Washer, shakeproof, M4, cant rail catch spring fix			A075W4086F	2
22	Washer, flat, M4 x 9 x 0.8, cant rail catch spring fix			A100W4120F	2
23	Spring, cant rail catch			A111U0387F	2
24	Bracket, cant rail catch, LH		From VIN: 3332	C111U0385F	1
24a	Bracket, cant rail catch, RH		From VIN: 3332	C111U0386F	1
25	Screw, M5 x 20, pozi, cant rail striker fix		From VIN: 3332	A082W5134F	4
26	Screw, M5 x 20, cap hd., cant rail striker fix		From VIN: 3332	A111W7172F	2
27	Striker assembly, cant rail, LH		From VIN: 3332	B111U0405F	1
27a	Striker assembly, cant rail, RH		From VIN: 3332	B111U0406F	1
28	Cape, canopy weather cover	Not illustrated		A111V0211S	1
29	Instruction Card, soft top assembly	Not illustrated		A111U0241F	1
29	Washer, M5 x 16.5 x 1.6	Bonded to roof bows, not illustrated		A082W4115F	4

ELISE



ELISE
12.02

Function Code 12.02 Soft Top Roof, Cant Rails, Hood Bows & Cape

<u>Dep</u>	<u>Part Description</u>	<u>Remarks</u>	<u>Option</u>	<u>Part Number</u>	<u>Qty</u>
19	Shim, 1mm, cant rail catch adjustment		From VIN: 3332	A111U0400F	As req.
19a	Shim, 3mm, cant rail catch adjustment		From VIN: 3332	A111U0401F	As req.
20	Screw, pozi, cant rail catch spring fix			B075W5079F	2
21	Washer, shakeproof, M4, cant rail catch spring fix			A075W4086F	2
22	Washer, flat, M4 x 9 x 0.8, cant rail catch spring fix			A100W4120F	2
23	Spring, cant rail catch			A111U0387F	2
24	Bracket, cant rail catch, LH		From VIN: 3332	C111U0385F	1
24a	Bracket, cant rail catch, RH		From VIN: 3332	C111U0386F	1
25	Screw, M5 x 20, pozi, cant rail striker fix		From VIN: 3332	A082W5134F	4
26	Screw, M5 x 20, cap hd., cant rail striker fix		From VIN: 3332	A111W7172F	2
27	Striker assembly, cant rail, LH		From VIN: 3332	B111U0405F	1
27a	Striker assembly, cant rail, RH		From VIN: 3332	B111U0406F	1
28	Cape, canopy weather cover	Not illustrated		A111V0211S	1
29	Instruction Card, soft top assembly	Not illustrated		A111U0241F	1
29	Washer, M5 x 16.5 x 1.6	Bonded to roof bows, not illustrated		A082W4115F	4

ELISE

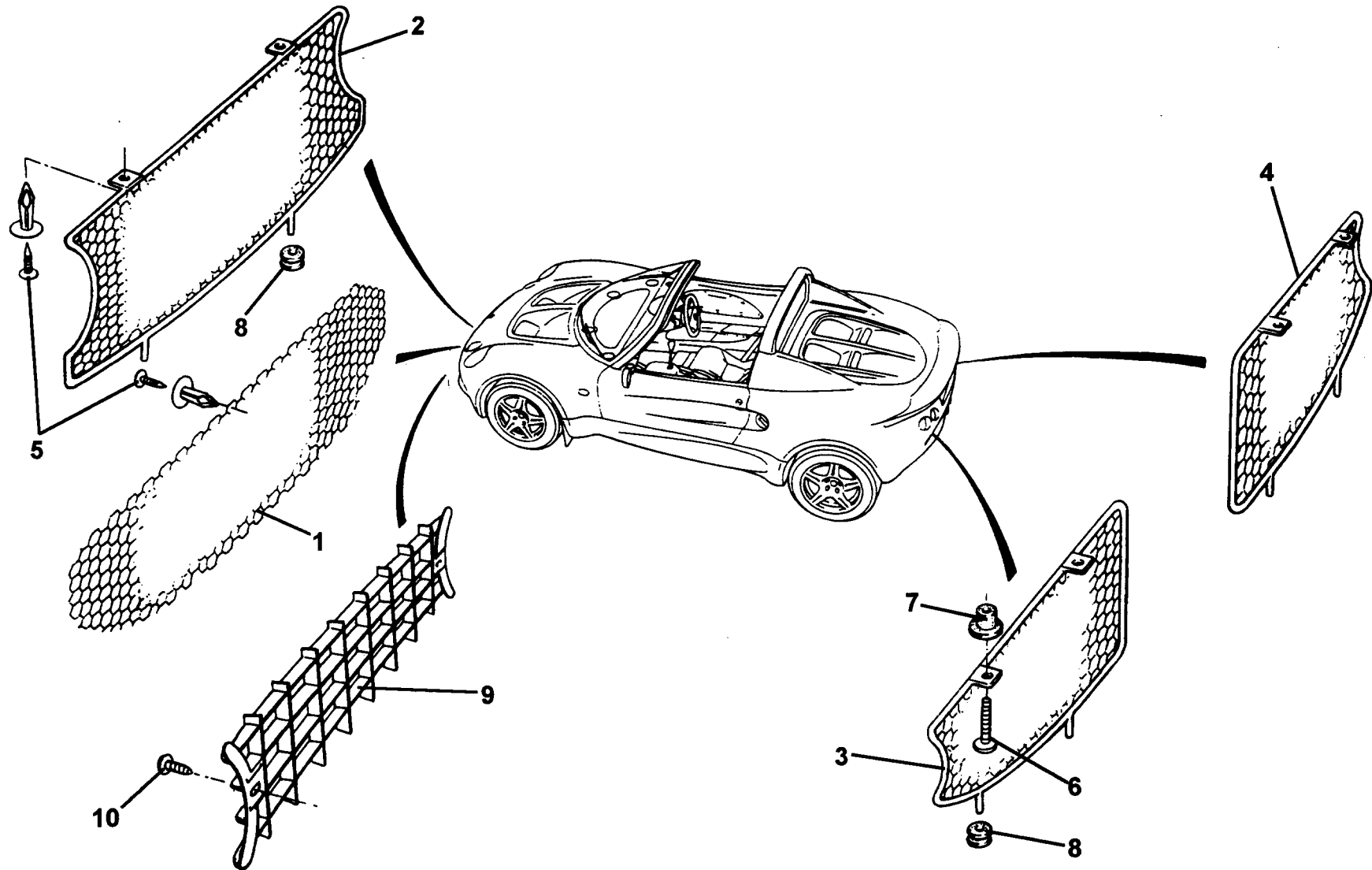
Service Parts List *ELISE*



Function Code 12.03 Grilles and Louvres

<u>Dep</u>	<u>Part Description</u>	<u>Remarks</u>	<u>Option</u>	<u>Part Number</u>	<u>Qty</u>
01	Grille, front intake, without driving lamps	7 off fixings, item 05		B111B0041F	1
02	Grille, front intake with driving lamps	2 off fixings, item 05		B111B0059F	1
02a	Grille, gold, front intake with driving lamps		JPS 111S	A111B0661F	1
03	Grille, rear clamshell recess, LH	Access to reverse lamp (RHD)		B111B0183F	1
03a	Grille, gold, rear clamshell recess, LH		JPS 111S	A111B0669F	1
04	Grille, rear clamshell recess, RH	Access to rear fog lamp (RHD)		B111B0184F	1
04a	Grille, gold, rear clamshell recess, RH		JPS 111S	A111B0668F	1
05	Plastic Fastener, front grille fix.	7 off, grille item 01, 2 off, grille item 02		A111W6534F	7
06	Screw, M5 x 16, pan hd. pozi., rear grille fix. to clamshell			A082W5117F	4
07	Rubber Rawlnut, 5mm, rear grille fix. to clamshell			A075W6074F	4
08	Grommet, rear grille fix, grille spigots, 4 off	2 off, front grille with driving lamps		A082B6158F	6
09	Grille, front intake	Moulded plastic	111S	A111B0485K	1
10	Screw, flg. hd., grille fix.		111S	A075W0742Z	2

ELISE



ELISE
12.03

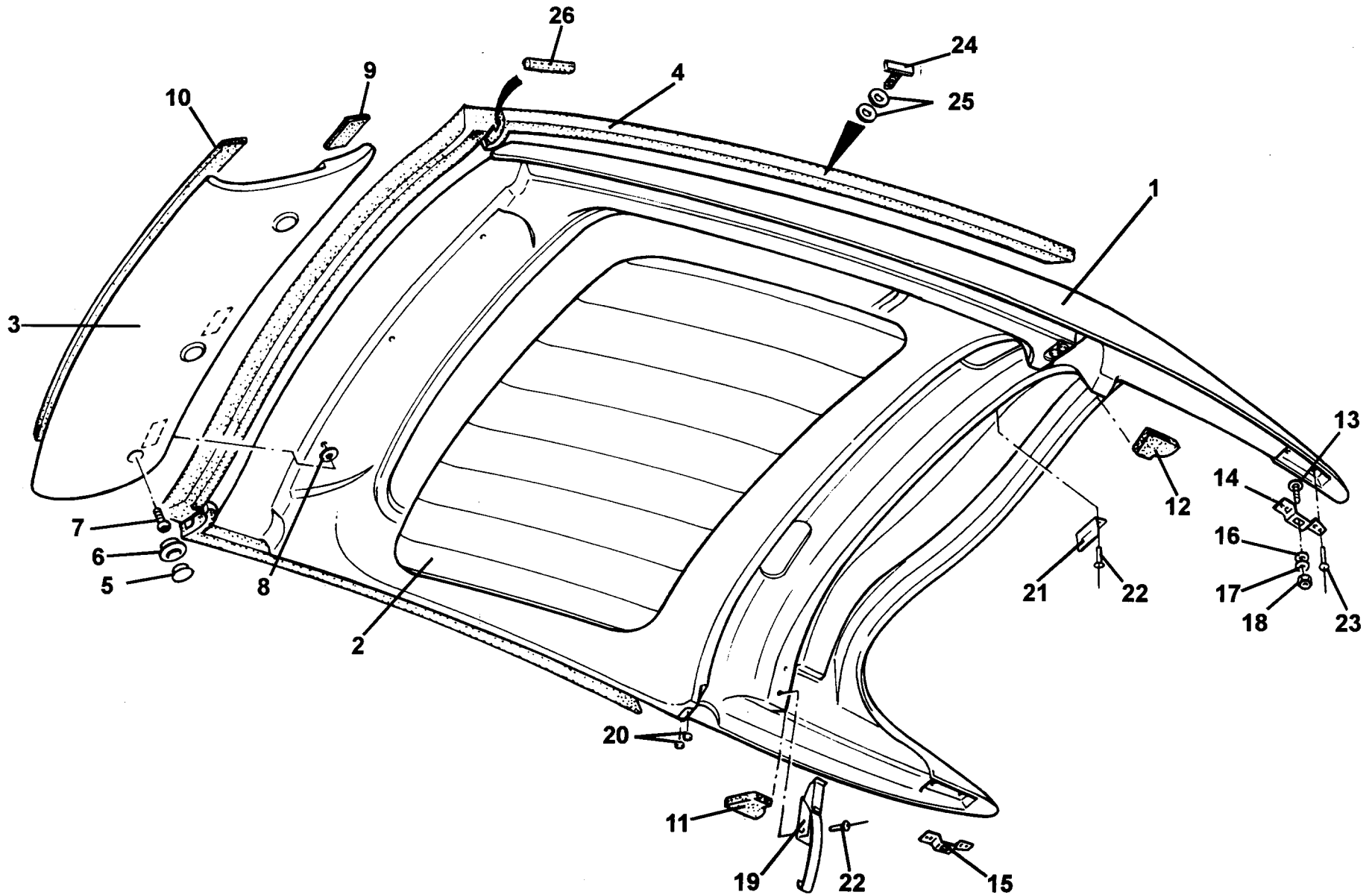
Service Parts List *ELISE*



Function Code 12.04 Hard Top Roof, Seals and Fittings

<u>Dep</u>	<u>Part Description</u>	<u>Remarks</u>	<u>Option</u>	<u>Part Number</u>	<u>Qty</u>
01	Hardtop Kit, finished in Primer	Incl., cant rails, soft top, door seals	Prior to VIN; W 3332	A111B0510S	1
01a	Hardtop Kit, finished in Gloss Black	Incl., cant rails, soft top, door seals	Prior to VIN; W 3332	A111B0511S	1
01b	Hardtop, finished in Primer	Excl., cant rails, soft top, door seals	From VIN: W 3332	A111B0512S	1
01c	Hardtop, finished in Gloss Black	Excl., cant rails, soft top, door seals	From VIN: W 3332	A111B0513S	1
01d	Hardtop Fitting Kit			A111B0484J	1
02	Hardtop Headlining, standard trim		Cloth	A111V0298S	1
02a	Hardtop Headlining, optional trim		Leather, black	A111V0299S	1
02b	Hardtop Headlining, optional trim		Leather, golden tan	A111V0300S	1
02c	Hardtop Headlining, optional trim		Leather, racing green	A111V0301S	1
02d	Hardtop Headlining, optional trim		Leather, viking blue	A111V0302S	1
02e	Hardtop Headlining, optional trim		Leather, begonia	A111V0303S	1
02f	Hardtop Headlining, optional trim		Leather, orkney red wing	A111V0304S	1
03	Clamp Assembly, hardtop to header rail			A111B0382J	1
04	Hardtop Seal Assembly			E111U0307F	1
05	Blanking Plug, clamp screw access			A111V6031F	3
06	Finisher, clamp screw access hole			A111U0203K	3

ELISE



ELISE
12.04

Function Code 12.04 Hard Top Roof, Seals and Fittings

<u>Dep</u>	<u>Part Description</u>	<u>Remarks</u>	<u>Option</u>	<u>Part Number</u>	<u>Qty</u>
07	Screw, M8 x 25, button hd., skt., clamp fix.	Black finish		A111W7115F	3
08	Washer, M8 x 15 x 2, rubber, clamp to hardtop			A089W4093f	3
09	Black neophrene	Fix to hardtop clamp		A082B6177V	As req.
10	Foam seal, self adhesive, 19 mm x 5 mm	Fix to hardtop clamp		A082U6068V	As req.
11	Buffer Pad, foam, LH	Self adhesive	A111U0376F R/B	C111B0247F	1
12	Buffer Pad, foam, RH	Self adhesive	A111U0376F R/B	C111B0248F	1
13	Locating Pin, hardtop to buttress escutcheons			B111U0236F	2
14	Plate, pin retension, LH			B111U0237F	1
15	Plate, pin retension, RH			B111U0238F	1
16	Washer, flat, M8 x 16.6 x 1.4 mm			A075W4020Z	2
17	Washer, crinkle, M8			A082W4114F	2
18	Locknut, M8, locating pin			A075W3026Z	2
19	Latch Assembly			A111B6054F	2
20	Bumper Foot, self adhesive	Hardtop to cant rail striker		A111U6054F	4
21	Retaining Tang, rear window location			B111B0291F	2
22	Pop Rivet			A100W6397F	8
23	Pop Rivet			A075W6071F	4
24	Fastener, firtree, seal assy. to hardtop			A111W6622F	12
25	Washer, flat, seal assy. to hardtop			A075W4013Z	24
26	Seal Insert, round section foam			A082U6171V	2

ELISE

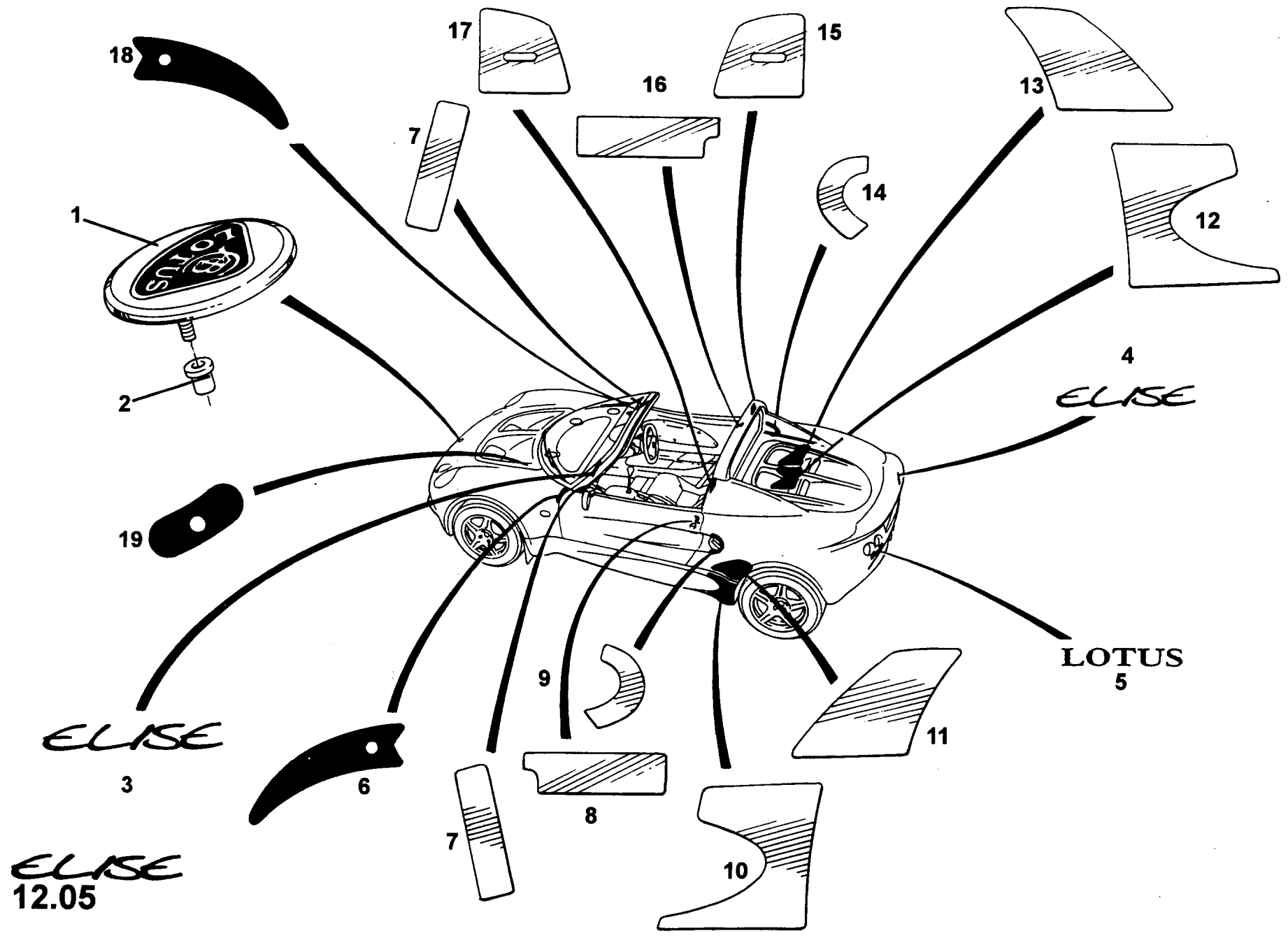
Service Parts List *ELISE*



Function Code 12.05 Decals, Badges & Protective Film

<u>Dep</u>	<u>Part Description</u>	<u>Remarks</u>	<u>Option</u>	<u>Part Number</u>	<u>Qty</u>
01	Nose Badge, Lotus logo			A089U1816F	1
02	Rawlnut, 5mm, rubber, nose badge fix.			A075W6074F	1
03	Decal, elise, fascia			A111U0227F	1
03a	Decal, elise, gold, fascia,		JPS, Type '49'	A111U0498F	1
03b	Decal, elise, fascia, smoke metallic		Sport 160	A111U0509F	1
04	Decal, elise, charcoal, rear clamshell			A111U0226F	1
04a	Decal, elise, silver, rear clamshell			A111U0225F	1
04b	Decal, elise, gold, rear clamshell		50th Anniversary Cars	A111U0488S	1
04c	Decal, elise, gold, rear clamshell		JPS, Type '49'	A111U0497F	1
04d	Decal, elise, smoke metallic, rear clamshell		Sport 160	A111U0507F	1
05	Decal, Lotus, charcoal, rear clamshell			A111U0224F	1
05a	Decal, Lotus, silver, rear clamshell			A111U0223F	1
05b	Decal, Lotus, gold, rear clamshell		50th Anniversary Cars	A111U0489S	1
05c	Decal, Lotus, gold, rear clamshell		JPS, Type '49'	A111U0492F	1
05d	Decal, Lotus, smoke metallic, rear clamshell		Sport 160	A111U0508F	1
06	Film, blackout, front clamshell, to door shut face, LH			A111B0341K	1
07	Film, front of cheater, LH/RH			A111B0342K	2
08	Film, rear of door shut face, LH			B111U0221K	1

ELISE

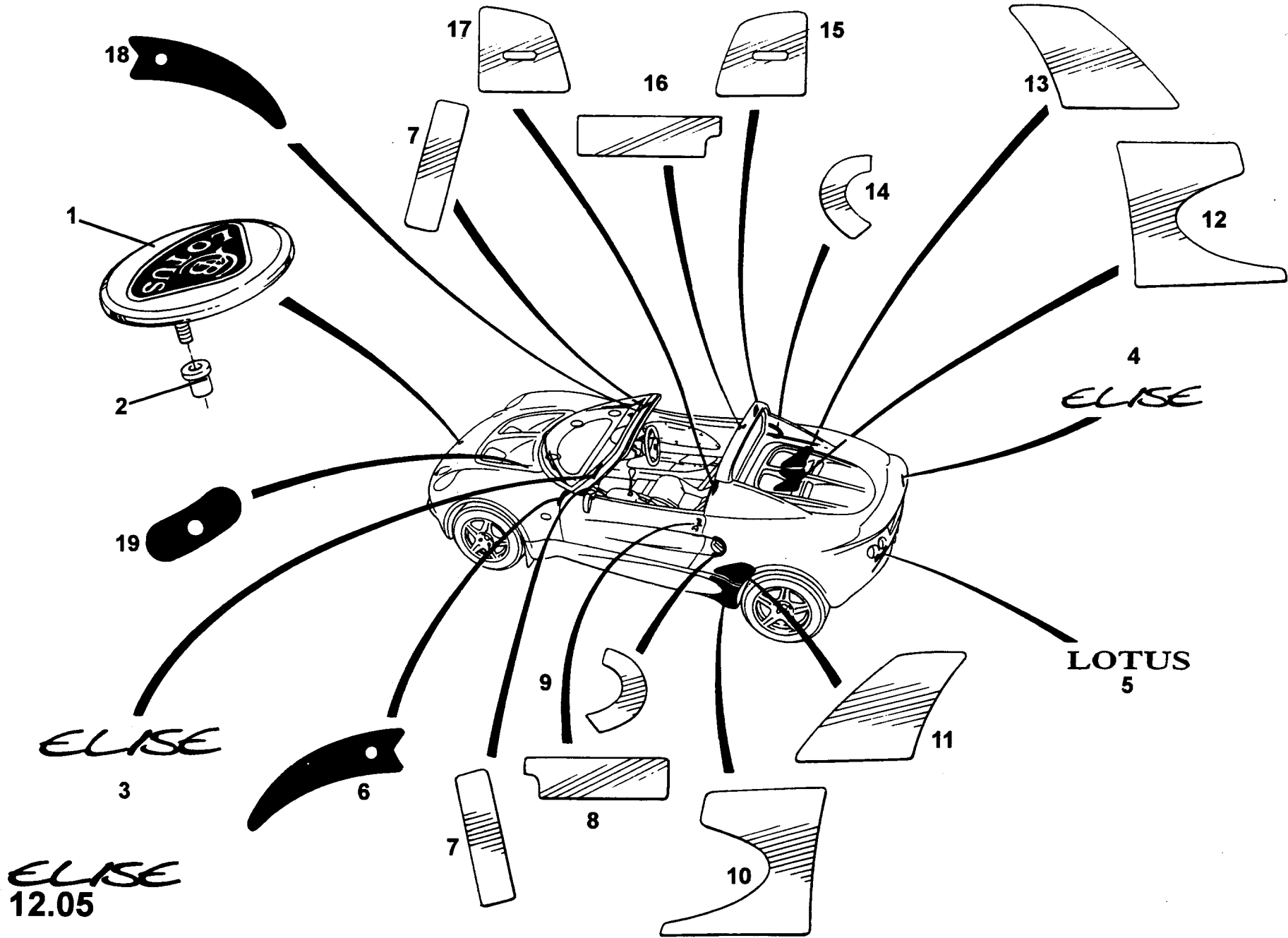


ELISE
 12.05

Function Code 12.05 Decals, Badges & Protective Film

<u>Dep</u>	<u>Part Description</u>	<u>Remarks</u>	<u>Option</u>	<u>Part Number</u>	<u>Qty</u>
09	Film, side intake protection, LH			A111B0283K	1
10	Film, sill protection, LH			A111B0117K	1
11	Film, rear wheelarch protection, LH			A111B0115K	1
12	Film, sill protection, RH			A111B0118K	1
13	Film, rear wheelarch protection, RH			A111B0116K	1
14	Film, rear intake protection, RH			A111B0284K	1
15	Film, cant rail striker, RH			A111B0344K	1
16	Film, rear of door shut face, RH			B111U0222K	2
17	Film, cant rail striker, LH			A111B0343K	1
18	Film, blackout, front clamshell, to door shut face, RH			A111B0340K	1
19	Film, blackout, front clamshell top fix.	Around fixing holes		A111B0697S	2
20	Decal, 50th Anniversary, rear clamshell	Not illustrated	50th Anniversary Cars	A111U0490S	1
21	Decal, 111S, silver/blue, rear clamshell	Not illustrated	111S	A111B0626F	1
21a	Decal, 111S, graphite/red, rear clamshell	Not illustrated	111S	A111B0627F	1
21b	Decal, 111S, gold, rear clamshell	Not illustrated	JPS 111S	A111U0493F	1
22	Decal, 111S, silver/blue, fascia	Not illustrated	111S	A111B0628F	1
22a	Decal, 111S, graphite/red, fascia	Not illustrated	111S	A111B0629F	1
22b	Decal, 111S, gold, fascia	Not illustrated	JPS 111S	A111U0494F	1
23	Decal, Sport 135, behind doors	Not illustrated	'98 MY, Sport 135	A111B0595F	2
23a	Decal, Sport 135, behind doors	Not illustrated	'99 MY, Sport 135	A111B0630F	2
23b	Decal, Sport 160, smoke metallic, behind doors	Not illustrated	Sport 160	A111B0701F	

ELSE

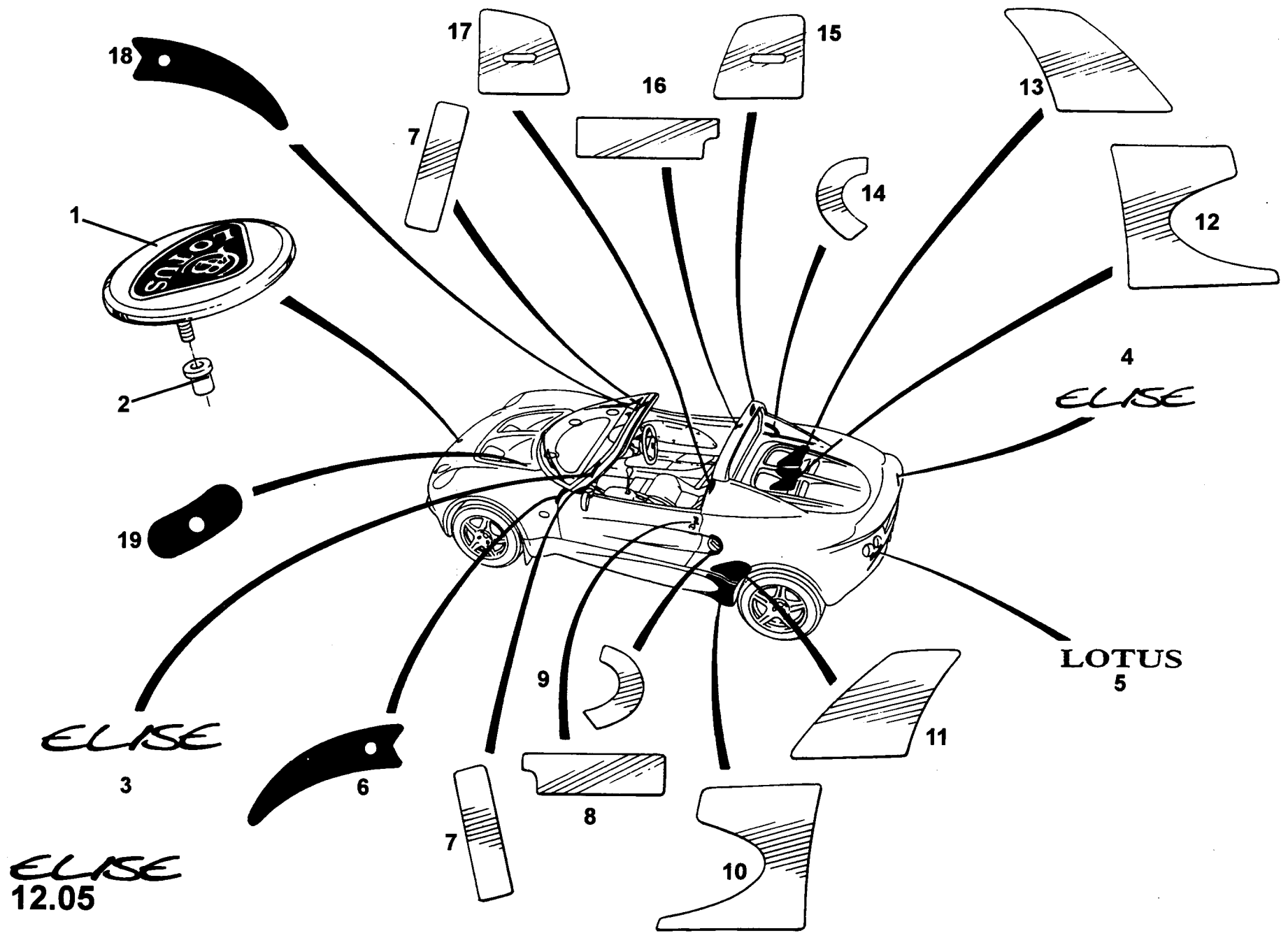


ELISE
12.05

Function Code 12.05 Decals, Badges & Protective Film

<u>Dep</u>	<u>Part Description</u>	<u>Remarks</u>	<u>Option</u>	<u>Part Number</u>	<u>Qty</u>
23c	Decal, Sport 160, silver, behind doors	Not illustrated	Sport 160	A111B0722F	
24	Decal, Union Flag, centre rear clamshell	Not illustrated	JPS 111S	A111U0495F	1
25	Decal Set, JPS 111S	Not illustrated, comprises items: 5c, 21a/b/c, 22a/b/c, 25	JPS 111S	A111U0496F	1
26	Decal Set, Type '49'	Not illustrated	Type'49'	A111U	1
27	Decal, '49'	Not illustrated, sides of front clamshell	Type'49'	A111U0502F	2
28	Decal, gold stripe, 25mm	Not illustrated, around red/white join line	Type'49'	A111U0499V	8m
29	Decal, gold stripe. 3mm	Not illustrated, above item 29 on car sides	Type'49'	A111U0500V	4m
30	Decal Set, Sport 160, smoke metallic	Not illustrated, for light exteriors	Sport 160	A111U0511F	1
31	Decal Set, Sport 160, silver	Not illustrated, for dark exteriors	Sport 160	A111U0510F	1
32	Film Set, rear clamshell	Not illustrated, comprises items: 9/11/13/14/15/17		A111B0475J	1
33	Film Set, front clamshell & buttress protection	Not illustrated, comprises items: 34/35/36/37/38/39	Accessory only	A111B0574S	1
34	Film, nose side protection, RH	Not illustrated, intake to wheelarch	Accessory only	A111B0516S	1
35	Film, centre, upper nose protection	Not illustrated, above air intake, between headlamps	Accessory only	A111B0514S	1
36	Film, nose side protection, LH	Not illustrated, intake to wheelarch	Accessory only	A111B0515S	1
37	Film, cheek edge protection	Not illustrated, outboard of intake, below 34 & 35	Accessory only	A111B0518S	2

ELISE



ELISE
12.05

ELISE

LOTUS
5

Function Code 12.05 Decals, Badges & Protective Film

<u>Dep</u>	<u>Part Description</u>	<u>Remarks</u>	<u>Option</u>	<u>Part Number</u>	<u>Qty</u>
38	Film, cheek edge protection	Not illustrated, outboard of intake, below 34 & 35	Accessory only	A111B0518S	2
39	Film, buttress protection, soft top fix.	Not illustrated, around keyhole plate	Accessory only	A111B0517S	2
40	Film, fuel filler recess edge protection	Not illustrated, lower edge of recess	Accessory only	A111B0519S	1

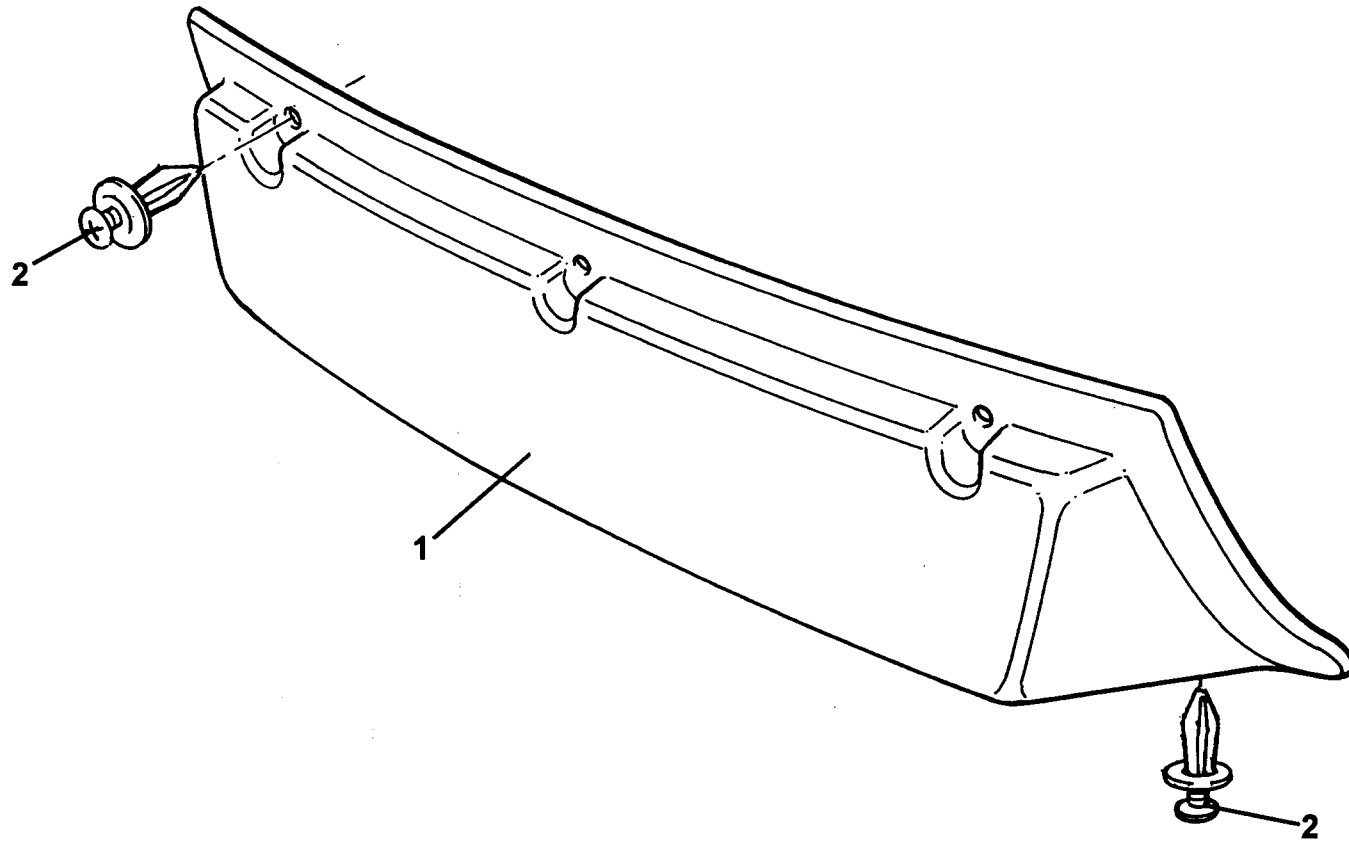
ELISE

Service Parts List *ELISE*



Function Code 12.07 Licence Plate Mountings

<u>Dep</u>	<u>Part Description</u>	<u>Remarks</u>	<u>Option</u>	<u>Part Number</u>	<u>Qty</u>
01	Front Number Plate Plinth			A111B0049K	1
02	Plastic Fastener			A111W6534F	5



ELISE
12.07

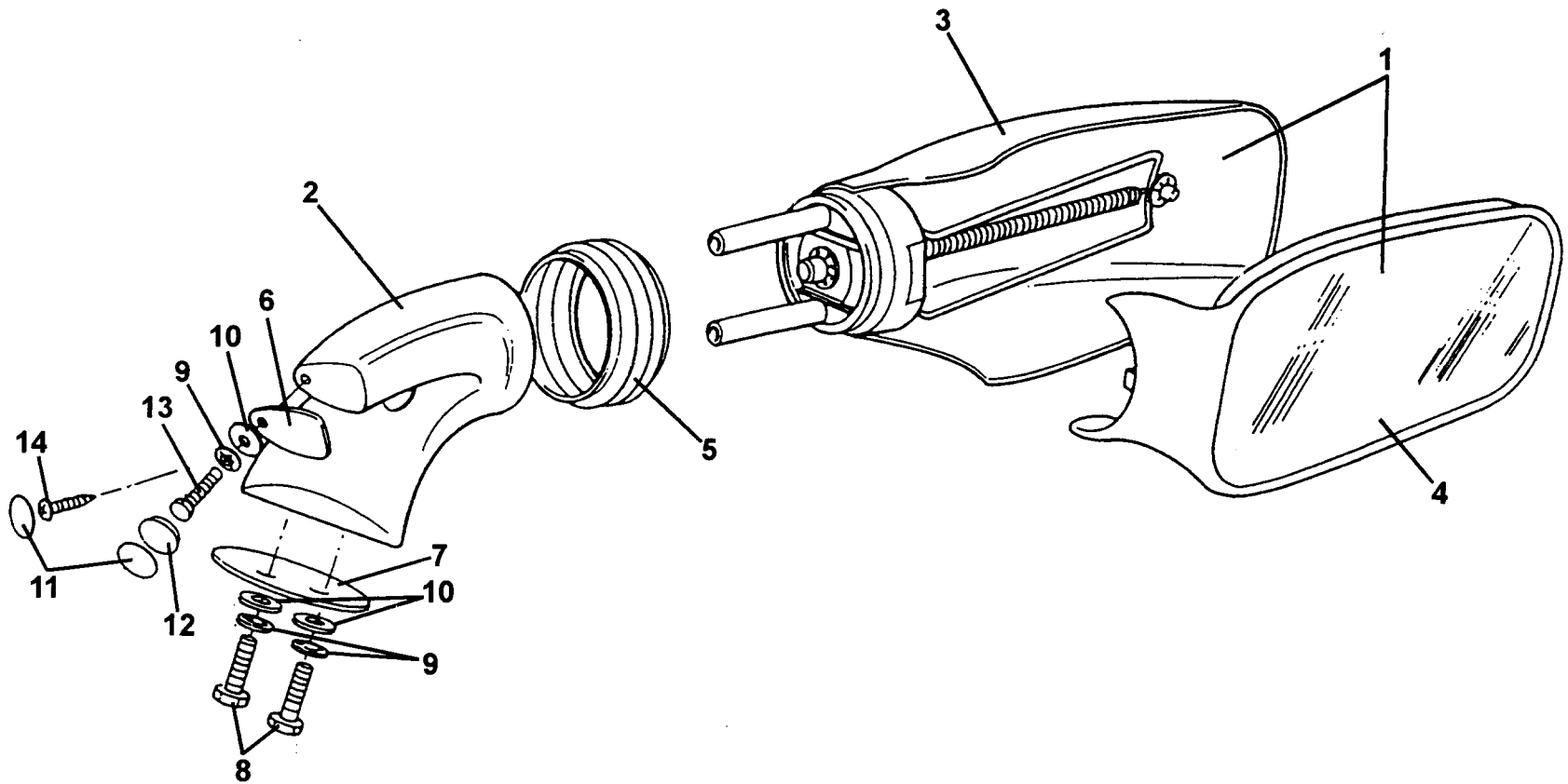
Service Parts List *ELISE*



Function Code 12.09 Exterior Driving Mirrors

<u>Dep</u>	<u>Part Description</u>	<u>Remarks</u>	<u>Option</u>	<u>Part Number</u>	<u>Qty</u>
01	Mirror Assembly, convex glass	Not painted		A111U0335J	1
01a	Mirror Assembly, flat glass	Not painted	Australia only	A111U0279J	1
02	Mirror Plinth, mounting, RH	Not painted		A111U0076F	1
02a	Mirror Plinth, mounting, LH	Not painted		A111U0075F	1
03	Mirror Housing, common RH & LH	Not painted		A111U0117K	2
04	Glass, convex			A111U6046F	2
04a	Glass, flat		Australia only	A111U6039F	2
05	Bellows, mirror to plinth			A111U6032F	2
06	Gasket, mirror plinth upper			B111U0104F	2
07	Gasket, mirror plinth lower			C111U0103F	2
08	Setscrew, M5 x 20, hex. hd.			A075W1025F	4
09	Washer, internal shakeproof, M5			A075W4045Z	4
10	Washer, flat, M5			A075W4011Z	4
11	Blanking Tape			A111V0206K	4
12	Blanking Grommet			A100B6163F	2
13	Screw, M5 x 20, cap hd.			A111W7126F	2
14	Screw, No 10 x 1", pan hd. pozi., plinth to mirror			A075W5043Z	2

ELISE



ELISE
12.09

Service Parts List *ELISE*



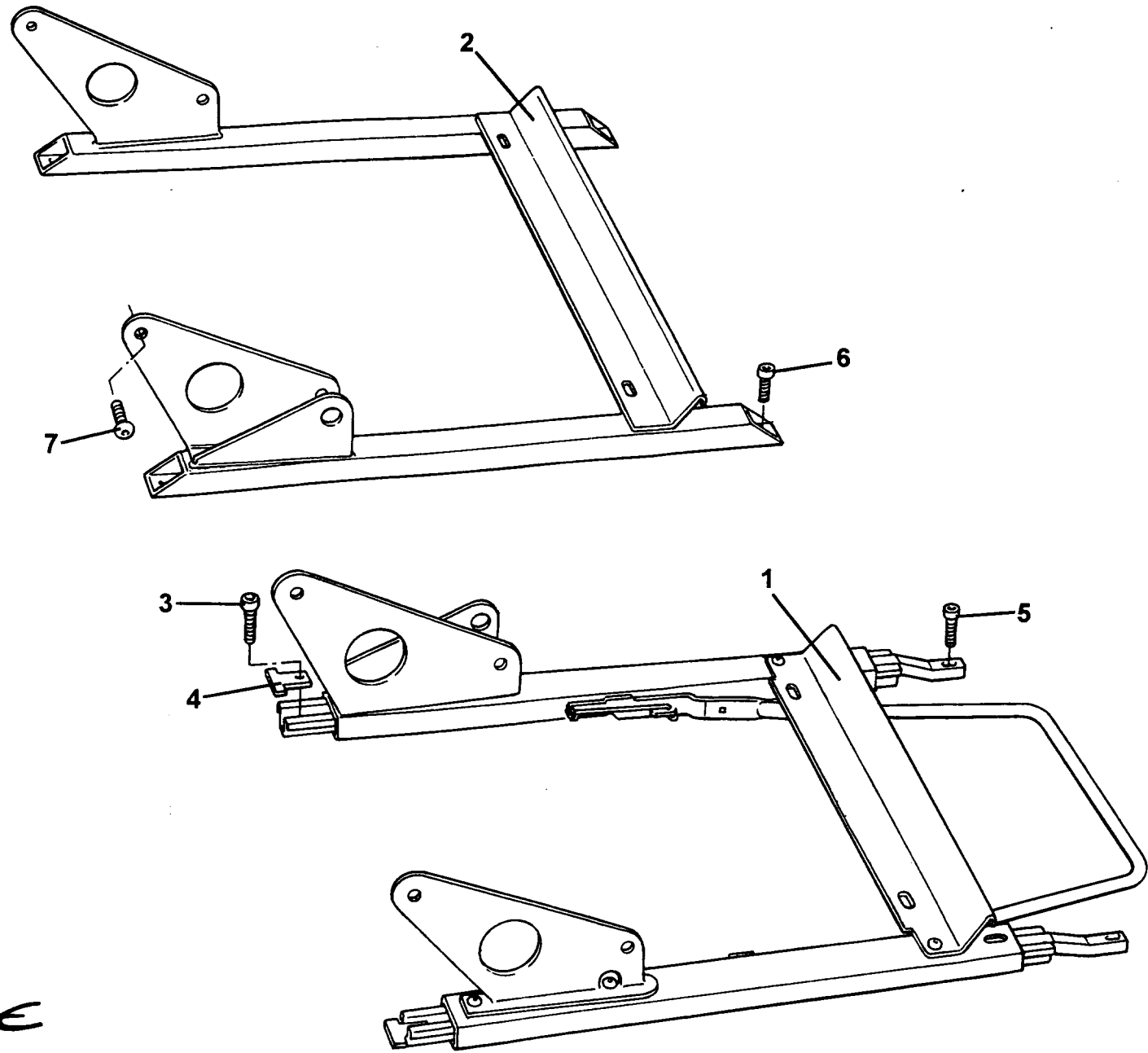
Function Code 13.01 Seat Runners

<u>Dep</u>	<u>Part Description</u>	<u>Remarks</u>	<u>Option</u>	<u>Part Number</u>	<u>Qty</u>
01	Seat Runners, driver, RHD			A111V0012J	1
01a	Seat Runners, driver, LHD			A111V0011J	1
02	Seat Mounting Frame, passenger, RHD			A111V0013F	1
02a	Seat Mounting Frame, passenger, LHD			A111V0014F	1
03	Screw, M8 x 20, cap hd.	Runner rear fix.		A111V7130F	2
04	Stop, seat runner			B111V0017F	2
05	Screw, M8 x 25, cap hd.	Runner front fix.		A111W7115F	2
06	Screw, M8 x 16, cap hd.	Mounting frame fix.		A111W7125F	4
07	Screw, M8 x 12, button hd.	Side brackets to seat fix.		A111W7131F	4

ELISE

Function Code: 13.01, Page: 1

1999 / 04



ELISE
13.01

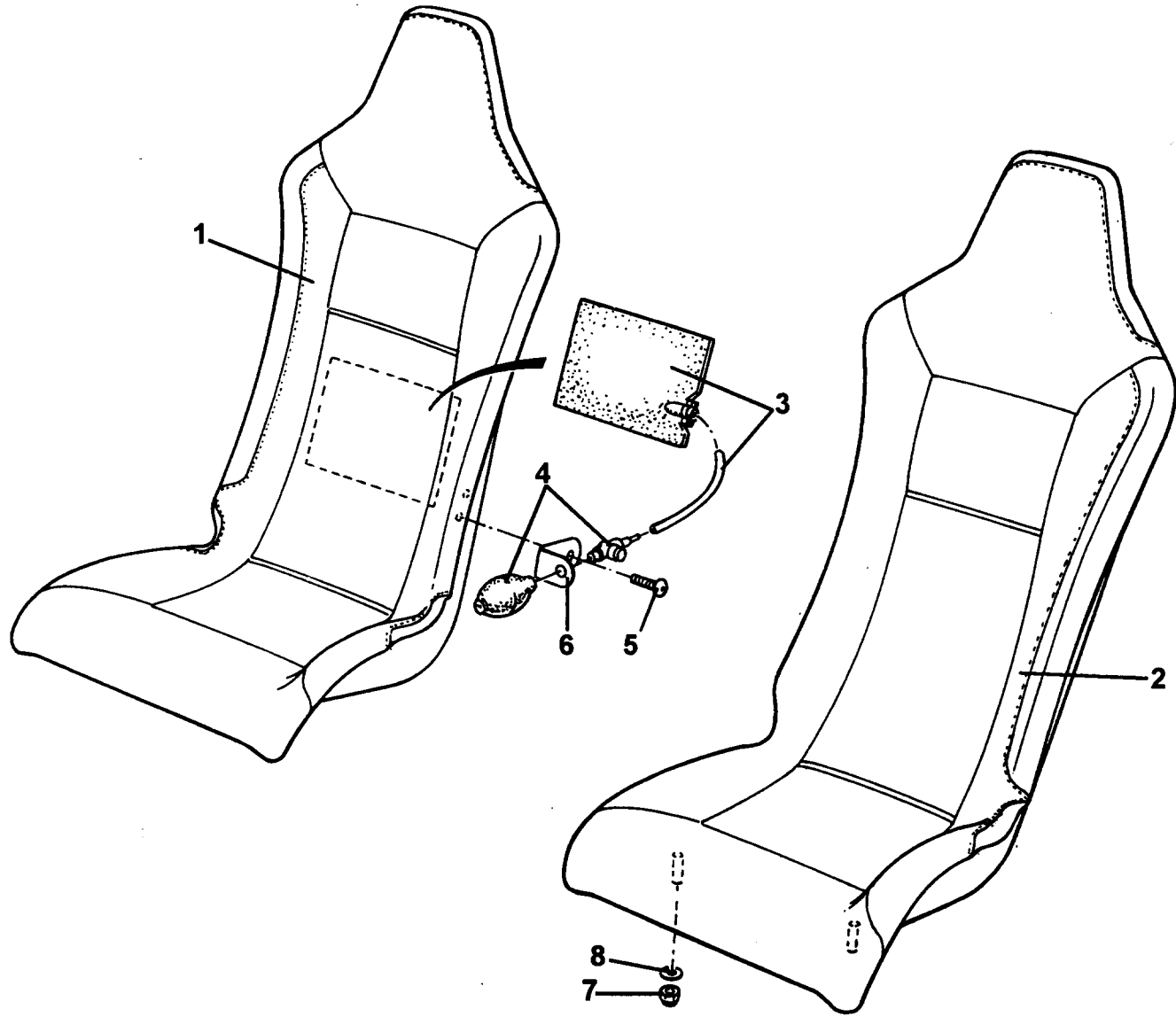
Service Parts List *ELISE*



Function Code 13.02 Seat Assemblies, Lumbar Support

<u>Dep</u>	<u>Part Description</u>	<u>Remarks</u>	<u>Option</u>	<u>Part Number</u>	<u>Qty</u>
01	Seat Assembly, driver, RHD		Red leather	A111V0094J	1
01a	Seat Assembly, driver, RHD		Blue leather	A111V0093J	1
01b	Seat Assembly, driver, RHD		Raffia leather	A111V0091J	1
01c	Seat Assembly, driver, RHD		Cloth trim	A111V0090J	1
01d	Seat Assembly, driver, RHD		Charcoal leather	A111V0092J	1
01e	Seat Assembly, driver, RHD		Magnolia leather	A111V0246J	1
01f	Seat Assembly, driver, RHD		Black leather	A111V0197J	1
01ff	Seat Assembly, driver, RHD	111S only	Black leather	A111V0458J	1
01af	Seat Assembly, driver, LHD	111S only	Black leather	A111V0459J	1
01g	Seat Assembly, driver, RHD		Golden Tan leather	A111V0171J	1
01h	Seat Assembly, driver, RHD		Begonia leather	A111V0186J	1
01j	Seat Assembly, driver, RHD		Viking blue leather	A111V0181J	1
01k	Seat Assembly, driver, RHD		Racing green leather	A111V0176J	1
01L	Seat Assembly, driver, RHD		Red wing leather	A111V0200J	1
01m	Seat Assembly, driver, RHD		Vinyl & hooding material	A111V0215J	1
01n	Seat Assembly, driver, LHD		Charcoal leather	A111V0122J	1
01o	Seat Assembly, driver, LHD		Red leather	A111V0124J	1
01p	Seat Assembly, driver, LHD		Bobbin blue leather	A111V0123J	1

ELISE

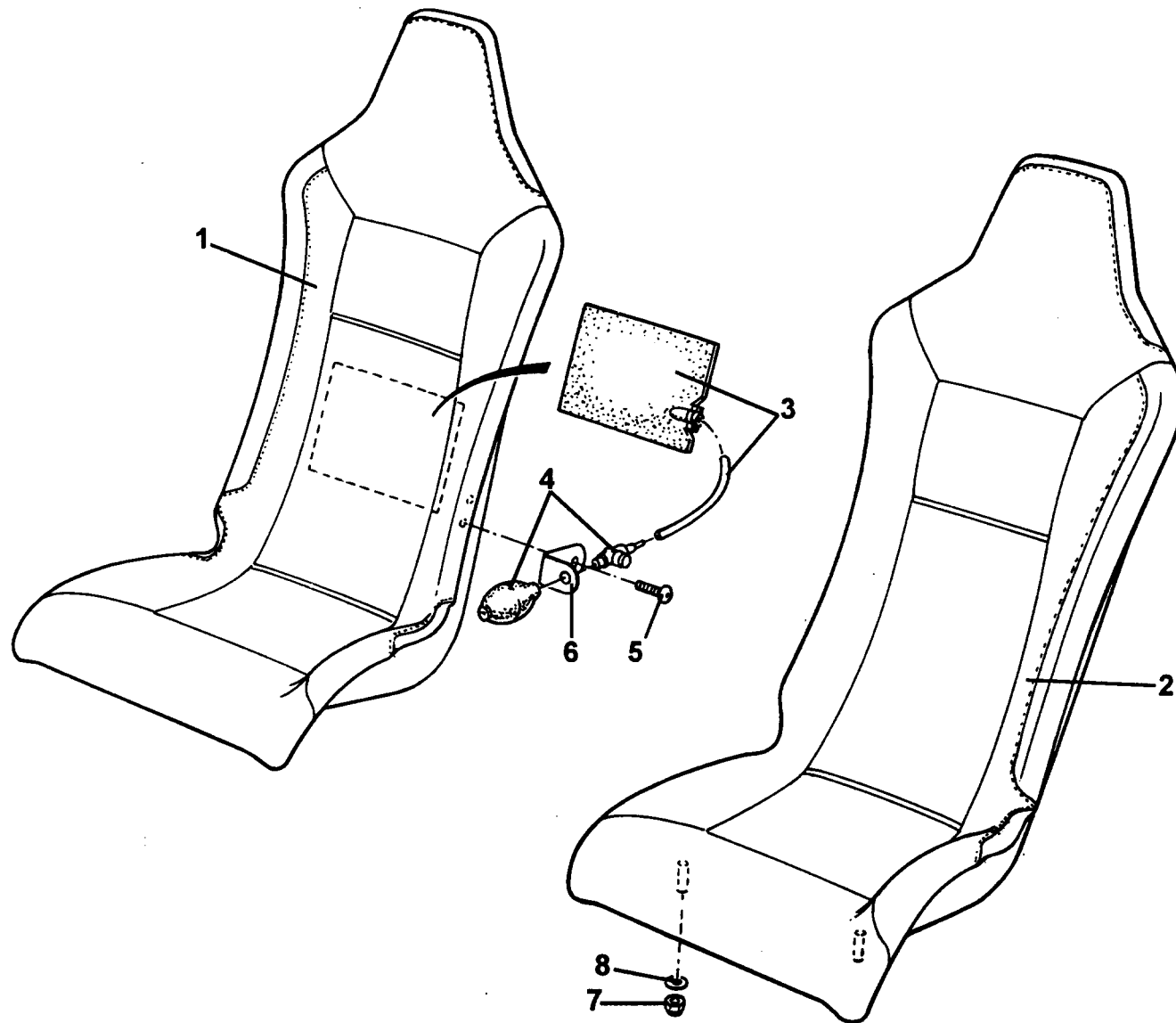


ELISE
13.02

Function Code 13.02 Seat Assemblies, Lumbar Support

<u>Dep</u>	<u>Part Description</u>	<u>Remarks</u>	<u>Option</u>	<u>Part Number</u>	<u>Qty</u>
01q	Seat Assembly, driver, LHD		Raffia leather	A111V0121J	1
01r	Seat Assembly, driver, LHD		Cloth trim	A111V0120J	1
01s	Seat Assembly, driver, LHD		Magnolia leather	A111V0245J	1
01t	Seat Assembly, driver, LHD		Black leather	A111V0198J	1
01u	Seat Assembly, driver, LHD		Golden tan leather	A111V0172J	1
01v	Seat Assembly, driver, LHD		Begonia leather	A111V0187J	1
01w	Seat Assembly, driver, LHD		Viking blue leather	A111V0182J	1
01x	Seat Assembly, driver, LHD		Racing green	A111V0177J	1
01y	Seat Assembly, driver, LHD		Red wing leather	A111V0201J	1
01z	Seat Assembly, driver, LHD		Vinyl & hooding material	A111V0216J	1
02	Seat Assembly, passenger, RHD		Fawn leather	A111V0004J	1
02a	Seat Assembly, passenger, RHD		Cloth trim	A111V0003J	1
02b	Seat Assembly, passenger, RHD		Bobbin Blue leather	A111V0006J	1
02c	Seat Assembly, passenger, RHD		Charcoal leather	A111V0005J	1
02d	Seat Assembly, passenger, RHD		Red leather	A111V0007J	1
02e	Seat Assembly, passenger, RHD		Magnolia leather	A111V0247J	1
02f	Seat Assembly, passenger, RHD		Golden tan leather	A111V0170J	1
02g	Seat Assembly, passenger, RHD		Begonia leather	A111V0185J	1
02h	Seat Assembly, passenger, RHD		Viking blue leather	A111V0180J	1
02i	Seat Assembly, passenger, RHD		Racing green	A111V0175J	1
02j	Seat Assembly, passenger, RHD		Red wing leather	A111V0199J	1

ELISE

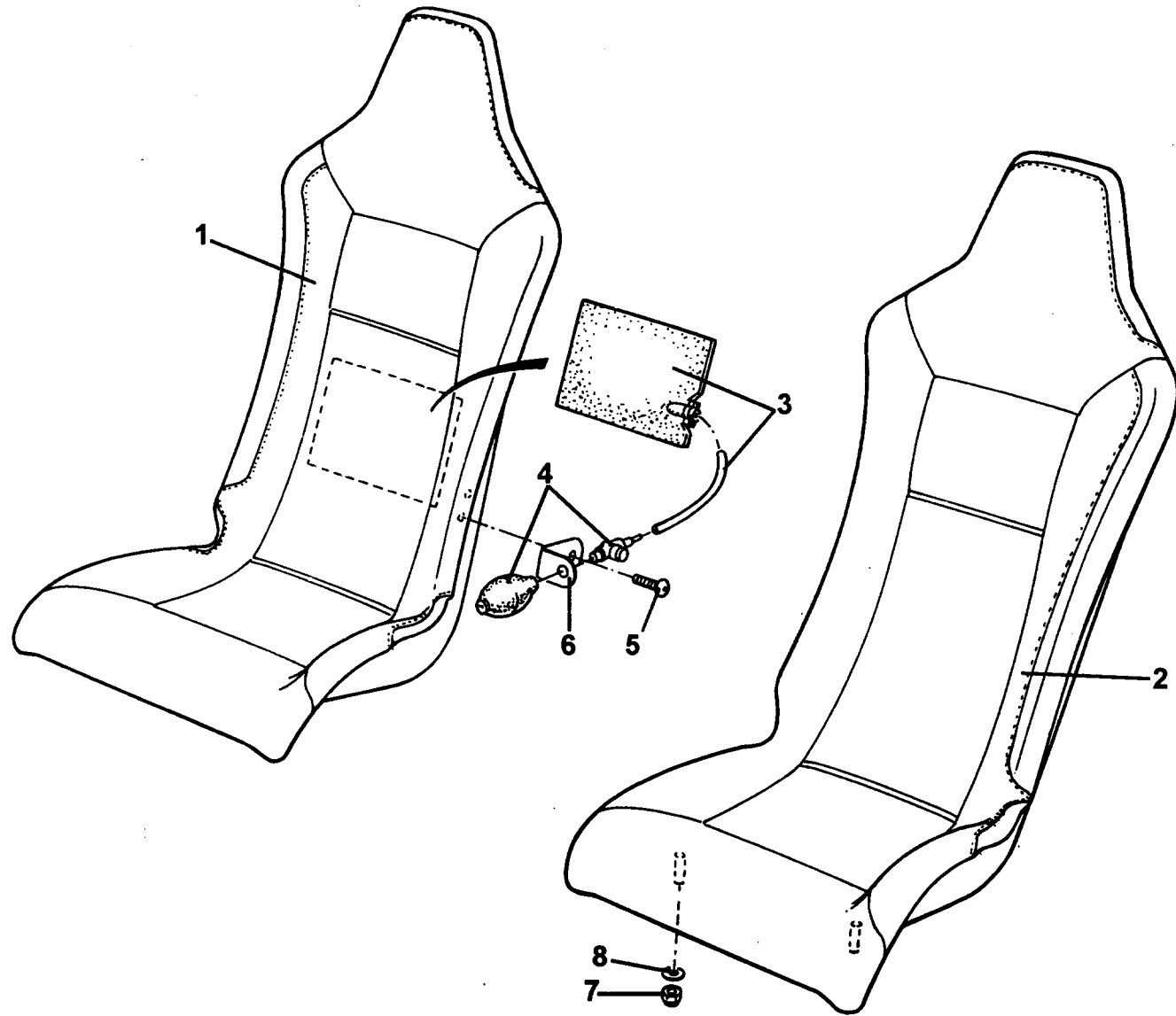


ELISE
13.02

Function Code 13.02 Seat Assemblies, Lumbar Support

<u>Dep</u>	<u>Part Description</u>	<u>Remarks</u>	<u>Option</u>	<u>Part Number</u>	<u>Qty</u>
02k	Seat Assembly, passenger, RHD		Vinyl & hooding material	A111V0217J	1
02LL	Seat Assembly, passenger, RHD	111S only	Black leather	A111V0457J	1
02L	Seat Assembly, passenger, RHD		Black leather	A111V0196J	1
02aL	Seat Assembly, passenger, LHD	111S only	Black leather	A111V0491J	1
02m	Seat Assembly, passenger, LHD		Red wing leather	A111V0480J	1
02n	Seat Assembly, passenger, LHD		Racing green leather	A111V0483J	1
02o	Seat Assembly, passenger, LHD		Charcoal leather	A111V0499J	1
02p	Seat Assembly, passenger, LHD		Red leather (early)	A111V0501J	1
02q	Seat Assembly, passenger, LHD		Blue leather	A111V0500J	1
02r	Seat Assembly, passenger, LHD		Fawn leather	A111V0499J	1
02s	Seat Assembly, passenger, LHD		Cloth trim	A111V0497J	1
02t	Seat Assembly, passenger, LHD		Magnolia leather	A111V0486J	1
02u	Seat Assembly, passenger, LHD		Black leather	A111V0481J	1
02v	Seat Assembly, passenger, LHD		Golden tan leather	A111V0482J	1
02w	Seat Assembly, passenger, LHD		Begonia leather	A111V0485J	1
02x	Seat Asembly, passenger, LHD		Viking blue leather	A111V0484J	1
03	Inflatable Lumbar Support, driver	Includes tube, driver only		A111V0117F	1
04	Pump & Valve-Lumber Support			A089V6142F	1
05	Screw, M8 x 25, big hd.			A111W6532F	4
06	Bracket, Pump & Valve Assy.			B111V0127F	1
07	Nyloc Nut, M8			A075W3010Z	4

ELISE



ELISE
13.02

Function Code 13.02 Seat Assemblies, Lumbar Support

<u>Dep</u>	<u>Part Description</u>	<u>Remarks</u>	<u>Option</u>	<u>Part Number</u>	<u>Qty</u>
08	Washer flat, M8 x 17 x 1.6mm			A075W4020Z	4

ELISE

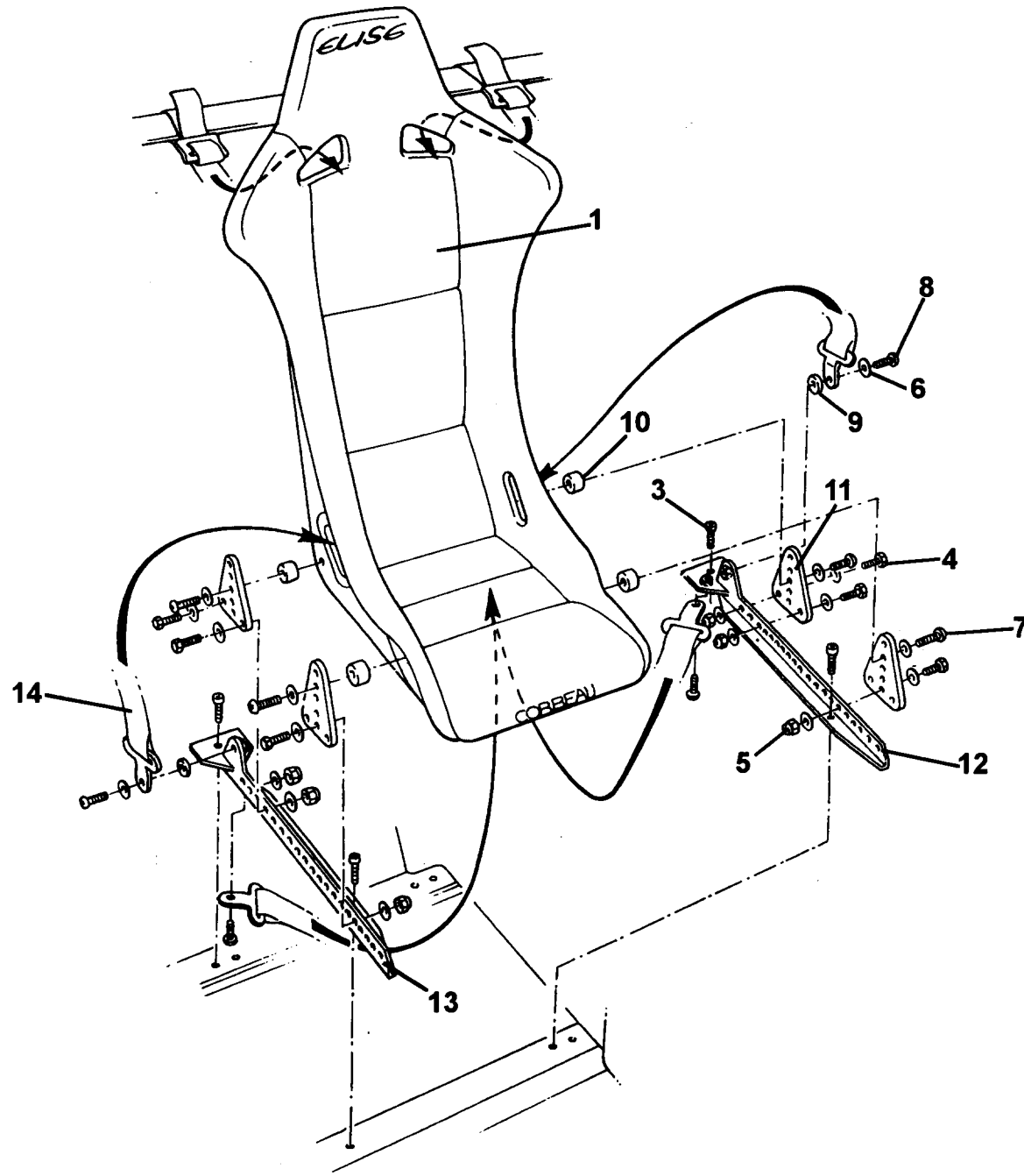
Service Parts List *ELISE*



Function Code 13.02a Competition Drivers Seat, Fixings. Six Point Harness

<u>Dep</u>	<u>Part Description</u>	<u>Remarks</u>	<u>Option</u>	<u>Part Number</u>	<u>Qty</u>
01	Drivers Seat, Corbeau		MOTOR SPORT	A111V6034S	1
02	Fitting kit	Comprising: items 03-13		A111V0297J	1
03	Screw, brackets to floor fixing			A111W7125F	4
04	Bolt, sideplate to runner fixings			A075W1038Z	8
05	Nyloc nut, sideplate to runner			A907E6284F	6
06	Washer, flat			A075W4020Z	20
07	Setscrew, button head, sideplate to seat & runner			A082W7050F	4
08	Setscrew, button head, seat belt to runner			A082W7063F	2
09	Washer, harness to seat side			A079W4019F	2
10	Spacer, sideplate mtg			A111V0294F	4
11	Sideplate, seat to runner			A111V0293F	4
12	Seat Mounting Bracket, LH			B111V0265F	1
13	Seat Mounting Bracket, RH			B111V0266F	1
14	Six Point Harness		MOTOR SPORT	A111U0378S	1
15	Fitting Instructions	Not illustrated, supplied with seat/harness fitting kits		LSL365	1

ELISE



ELISE
13.02a

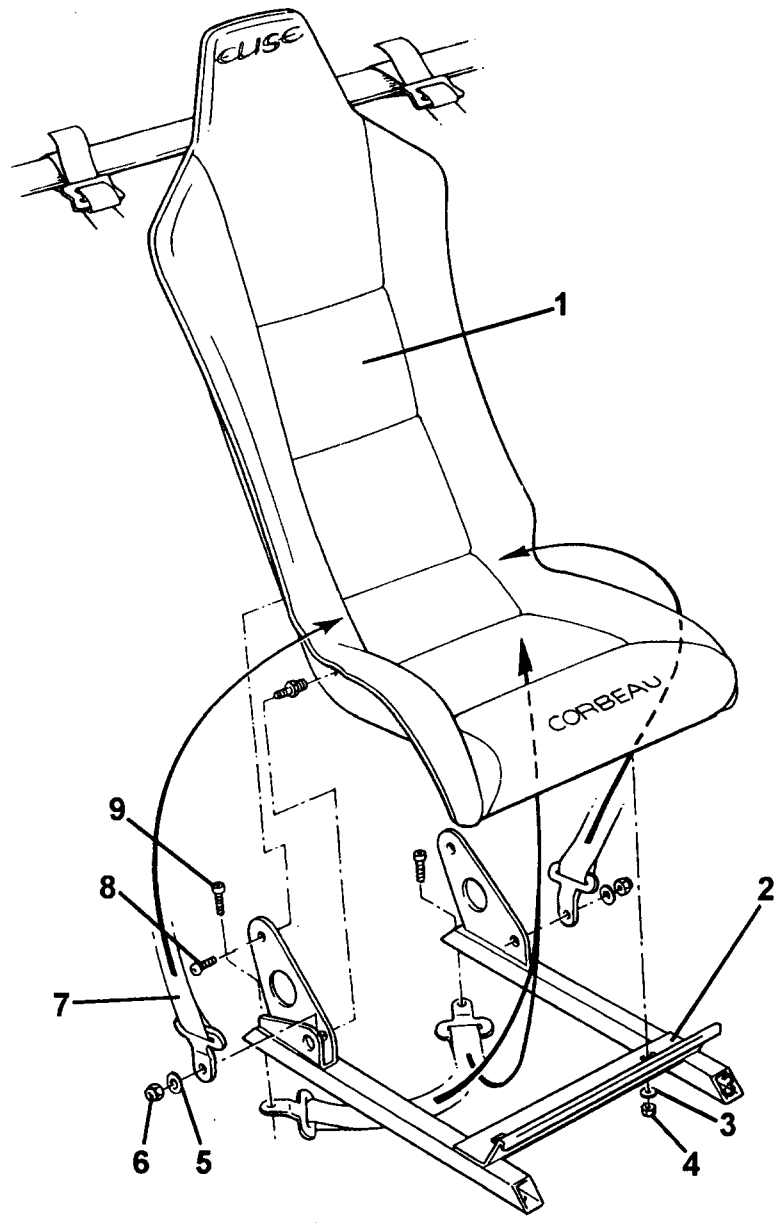
Service Parts List *ELISE*



Function Code 13.02b Competition Style Seat, Fixings. Six Point Harness

<u>Dep</u>	<u>Part Description</u>	<u>Remarks</u>	<u>Option</u>	<u>Part Number</u>	<u>Qty</u>
01	Competition Style Seat			A111V6035S	1
02	Seat Mounting, passenger, fixed, RHD	Standard part		A111V0014F	1
02a	Seat Mounting, passenger, fixed, LHD			A111V0013F	1
03	Washer, flat, M8 x 17 x 1.6 mm, seat to mounting fix	Standard part		A075W4020Z	2
04	Nyloc Nut, M8, seat to mounting fix			A075W3010Z	2
05	Washer, harness to seat mounting fix.			A075W4020Z	2
06	Nyloc Nut, harness to seat mounting fix.			A907E6284F	2
07	Six Point Harness		MOTOR SPORT	A111U0378S	1
08	Screw, M8 x 12 mm, seat to fixed mounting	Standard part		A111W7131F	2
09	Screw, M8 x 16 mm, seat mounting to floor fixing	Standard part		A111W7125F	4
10	Fitting instructions	Not illustrated, supplied with seat/harness fitting kits		LSL365	1

ELISE



ELISE
13.02b

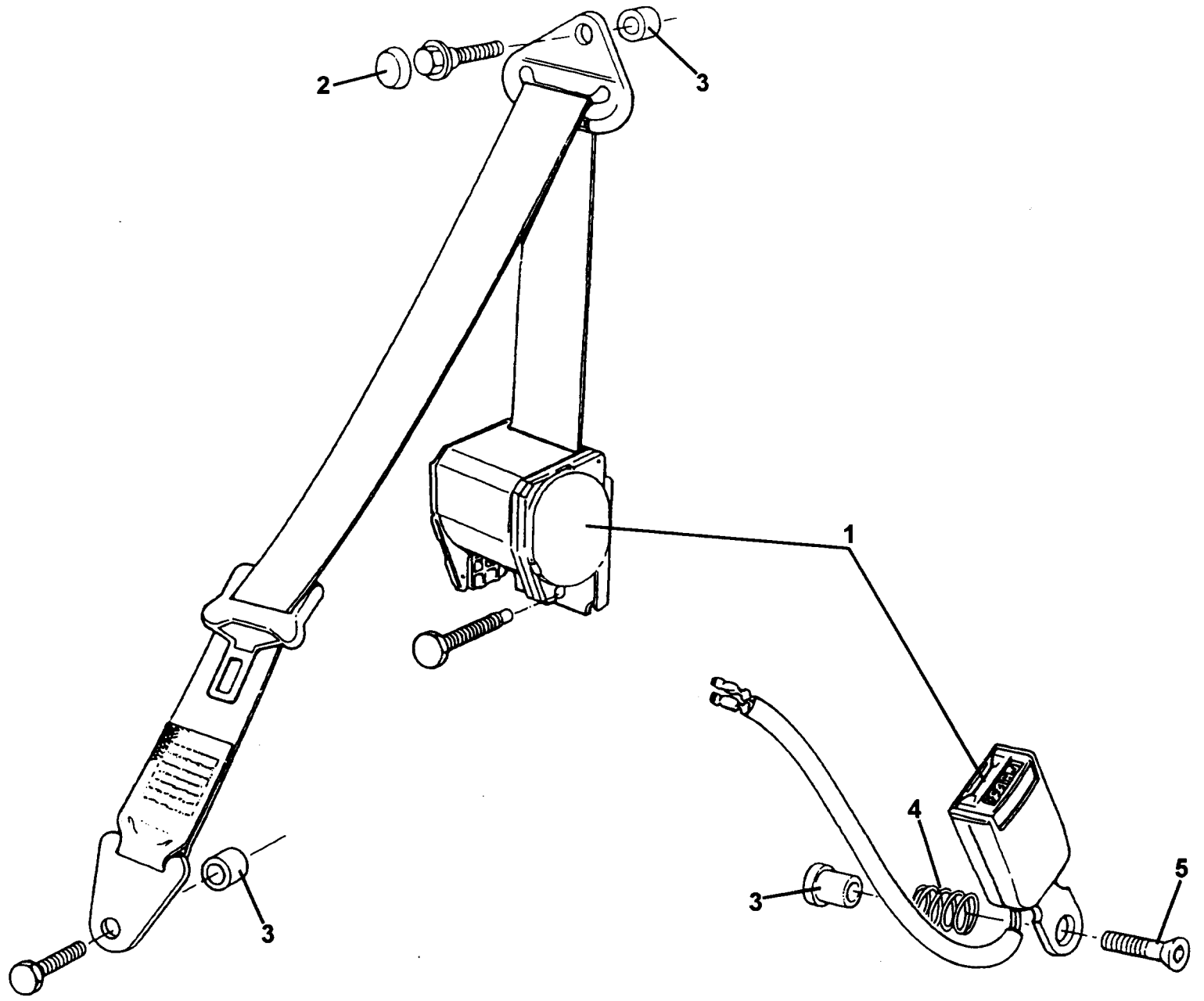
Service Parts List *ELISE*



Function Code 13.27 Seat Belts

<u>Dep</u>	<u>Part Description</u>	<u>Remarks</u>	<u>Option</u>	<u>Part Number</u>	<u>Qty</u>
01	Seat Belt Assembly	Includes fixings, Items 2,3,4,5.		A111U0001F	2
02	Cap, black, top fixing bolt			A111U6015H	2
03	Spacer			A111U0017F	2
04	Spring, buckle to seat			A111U6016F	2
05	Bolt, special, buckle to seat fix.			B111U0016F	2
06	Six Point Harness Kit	Also see 1202a/b, not illustrated	MOTOR SPORT	A111U0378S	2

ELISE



ELISE
13.27

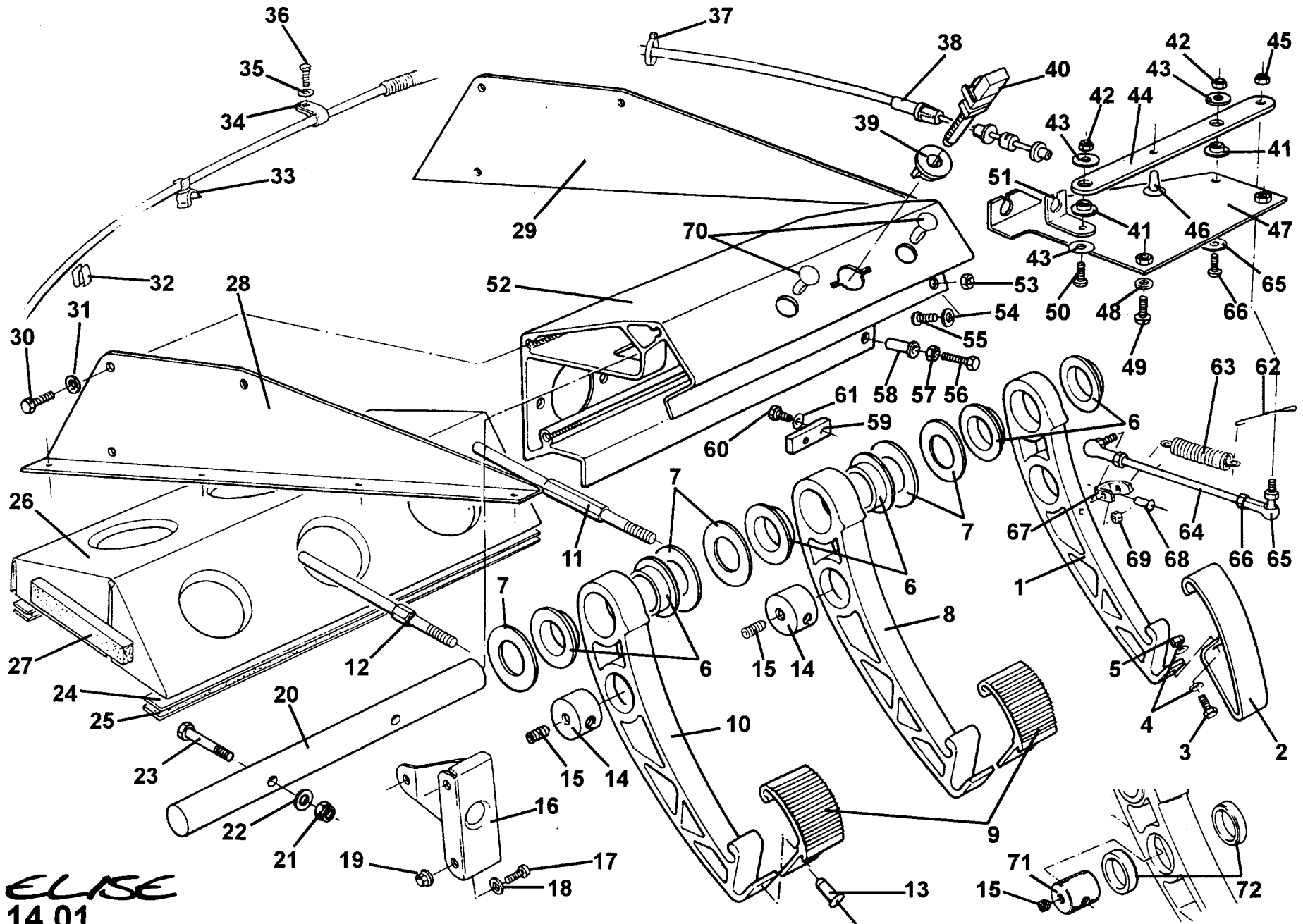
Service Parts List *ELISE*



Function Code 14.01 Pedal Box, Pedals, Throttle Cable

<u>Dep</u>	<u>Part Description</u>	<u>Remarks</u>	<u>Option</u>	<u>Part Number</u>	<u>Qty</u>
01	Throttle Pedal			C111J0018F	1
01a	Throttle Pedal Assembly			C111J0016J	1
02	Pad, throttle pedal			A111J0081F	1
03	Setscrew, M5 x 16, pad to arm retention			A075W1085F	1
04	Washer, M5 x 10 x 1.0, pad to arm retention			A075W4011Z	2
05	Nut, M5, nyloc, pad to arm retention			A075W3008Z	1
06	Bearing, pedal pivots			A111J6018F	6
07	Thrust Washer, pedal pivots			A111J6019F	5
08	Brake Pedal			B111J0069F	1
08a	Brake Pedal Assembly			B111J0070F	1
09	Pad, brake & clutch pedals			C111J0019F	2
10	Clutch Pedal			C111J0017F	1
11	Push Rod, brake master cylinder			A111J0041F	1
12	Push Rod, clutch master cylinder			A111J0042F	1
13	Pop Rivet, 5/32" x 1/2", pad fix.			A075W6068Z	2
14	Trunnion, brake & clutch push rods			A111J0039F	2
15	Grubscrew, M6 x 6, push rod locking			A111W7147F	2
16	Driver Footrest, RHD			A111A0103F	1

ELISE

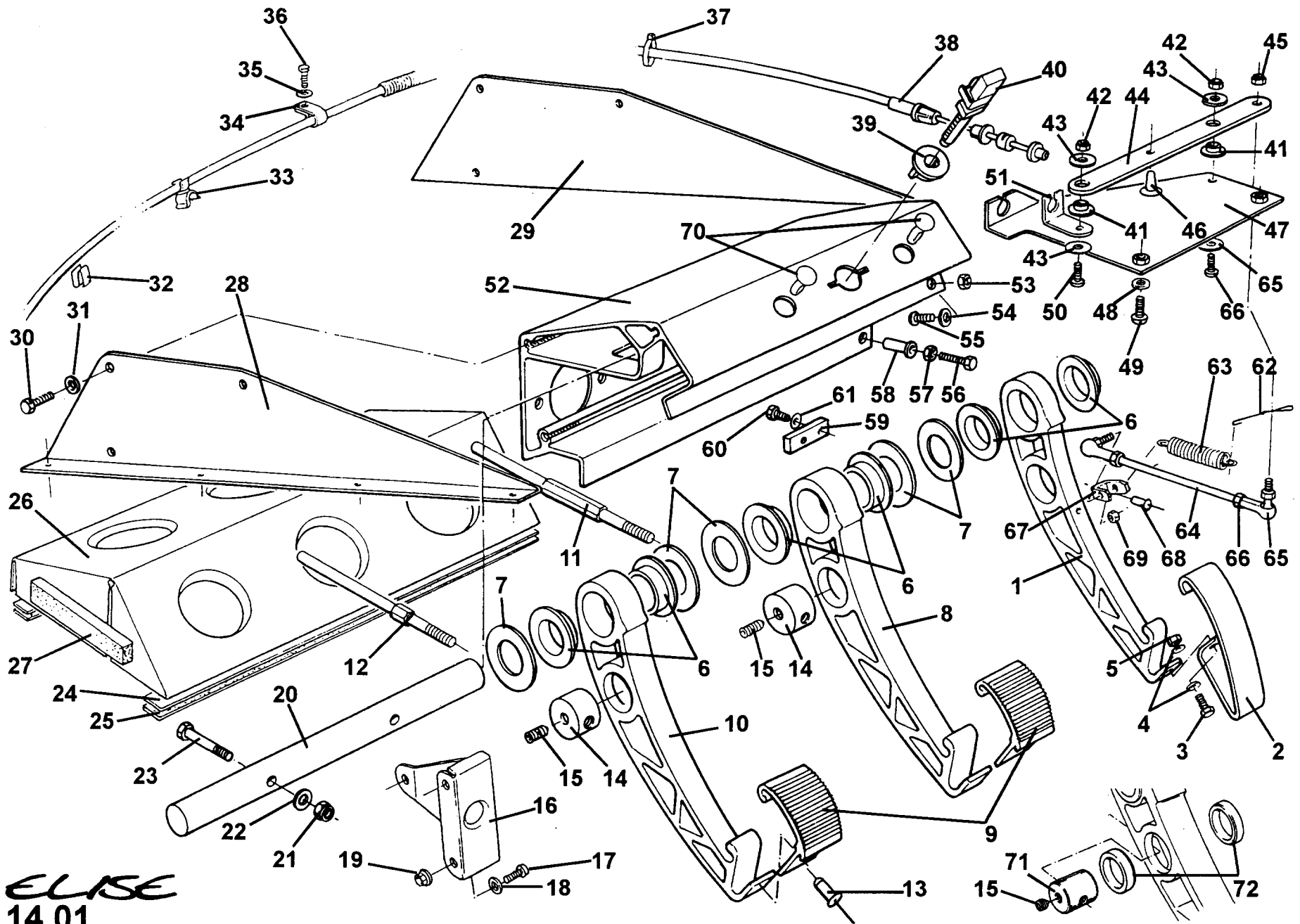


ELISE
14.01

Function Code 14.01 Pedal Box, Pedals, Throttle Cable

<u>Dep</u>	<u>Part Description</u>	<u>Remarks</u>	<u>Option</u>	<u>Part Number</u>	<u>Qty</u>
16a	Driver Footrest, LHD			A111A0104F	1
17	Screw, M6 x 16, pozi, footrest fix			A076W5090F	3
18	Washer, shakeproof, M6, footrest fix			A075W4046Z	3
19	Locknut, M6, footrest fix			A100W3108F	3
20	Pedal shaft			B111J0038F	1
21	Nut, , M6, nyloc, shaft fix.			A075W3009Z	2
22	Washer, flat, M6, shaft fix.			A075W4013Z	2
23	Screw, M6 x 35, hex. hd., shaft fix.			A075W1033Z	2
24	Grip-Lock, self adhesive, hook			A111V6020V	0.6M
25	Grip-Lok, self adhesive, loop			A111V6019V	0.6M
26	Passenger Footrest Assembly, RHD			B111A0101J	1
26a	Passenger Footrest Assembly, LHD			B111A0102J	1
27	Foam seal, 25 x 12.5			A082U6065V	As req.
28	Side plate, pedal box, LH			B111J0033F	1
29	Side plate, pedal box, RH			B111J0034F	1
30	Screw, M6 x 20, hex. hd., side plate fix.			A111W1155F	6
31	Washer, spring, M6			A075W4035Z	6
32	Clip, throttle cable to manifold fix.			A082W6370F	1
33	Clip, throttle cable to canister pipe fix.			A089W6268F	1
34	'P' Clip, throttle cable to sump			A111W6611F	1
35	Washer, shakeproof, M8, 'P' clip to sump			A075W4048Z	1

ELISE

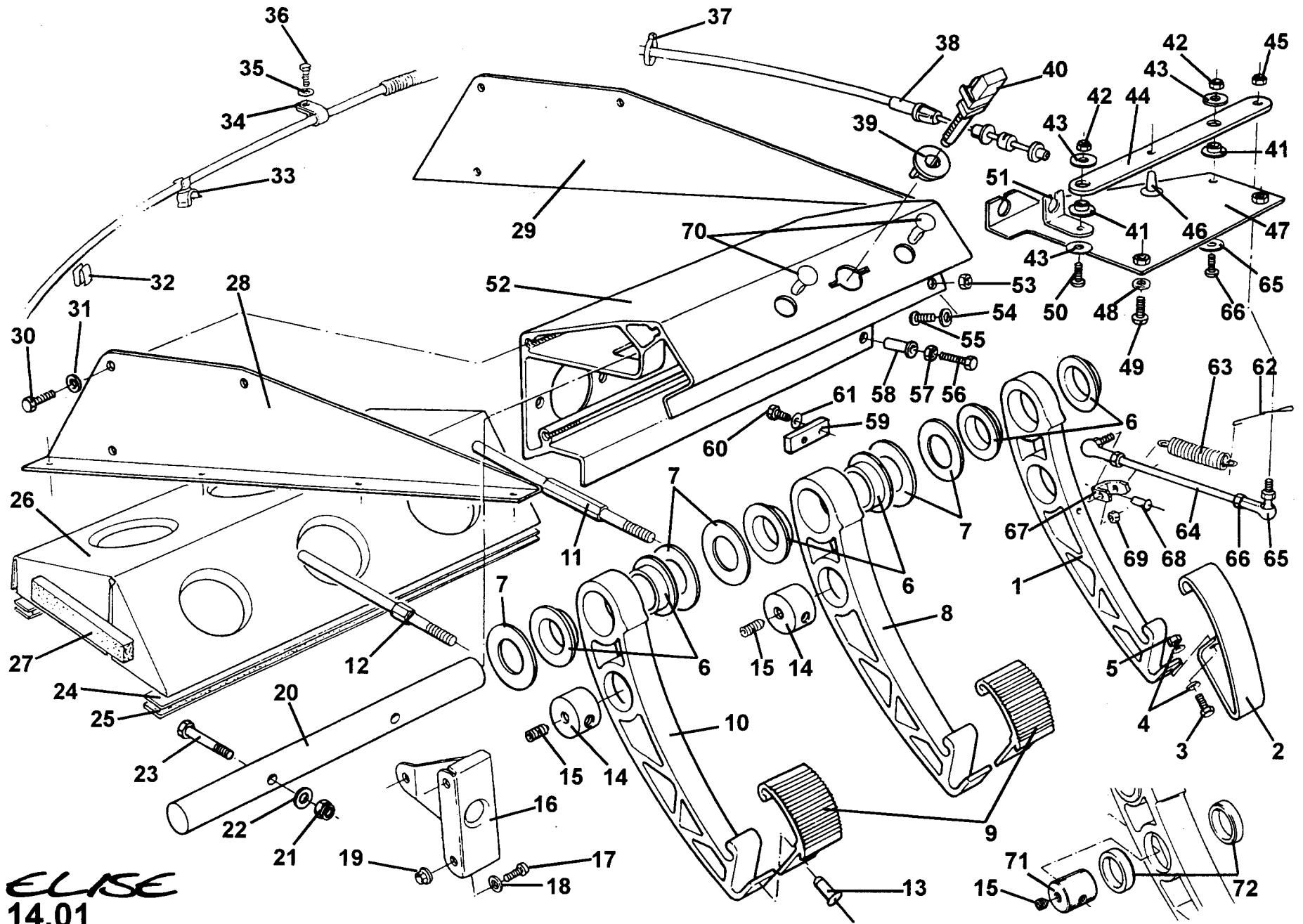


ELISE
14.01

Function Code 14.01 Pedal Box, Pedals, Throttle Cable

<u>Dep</u>	<u>Part Description</u>	<u>Remarks</u>	<u>Option</u>	<u>Part Number</u>	<u>Qty</u>
36	Setscrew, M8 x 20, 'P' clip to sump			A075W1038Z	1
37	Tie Wrap, throttle cable fix.			A082W6324F	1
38	Throttle Cable			A111J0114F	1
38a	Throttle Cable, 190 engine	Part of VHPD 190 engine kit	MOTORSPORT	A111J0140S	1
39	Collar, brake light switch fix.			A089M6020F	1
40	Brake Light Switch			A089M6019F	1
41	Bush, nylon, relay lever			A111J6017J	1
42	Nut, M4, nyloc			A075W3049F	1
43	Thrust Washer, nylon, relay lever			A111J6016F	8
44	Relay Lever, throttle linkage			A111J0045J	1
45	Nut, nyloc, M5			A100W3113F	2
46	Slider Button, relay lever			A111J6020F	1
47	Base Plate, relay lever, RHD			C111J0048F	1
47a	Base Plate, reay lever, LHD			C111J0047F	1
48	Washer, shakeproof, M5, base plate fix			A075W4054Z	2
49	Screw, pozi, M5 x 10, base plate fix.			A082W5097F	2
50	Screw, pozi, M4 x 16, swivel fix.			A100W5133F	2
51	Swivel, throttle linkage			A111J0043F	1
52	Pedal Box Assembly			B111J0054J	1
53	Nut, M5, nyloc			A075W3008Z	1
54	Washer, flat, M5 x 10 x 0.8,			A111W4168F	1

ELISE



ELISE
14.01

Function Code 14.01 Pedal Box, Pedals, Throttle Cable

<u>Dep</u>	<u>Part Description</u>	<u>Remarks</u>	<u>Option</u>	<u>Part Number</u>	<u>Qty</u>
55	Screw, M5 x 12, button hd.			A111W7138F	1
56	Setscrew, M6 x 35, throttle pedal stop			A075W1033Z	1
57	Nut, M6, nyloc, throttle pedal stop			A082W3085F	1
58	Pullsert, M6 x 1.0			A079W6156F	1
59	Nut Plate, pedal box			A111J0083F	1
60	Setscrew, M5 x 12, hex. hd.			A075W1021Z	1
61	Washer, flat, M5 x 10 x 1.0			A075W4011Z	1
62	Link, throttle spring, RHD			A111J0096F	1
62a	Link, throttle spring, LHD			A111J0097F	1
63	Throttle return spring			A075J6029Z	1
64	Pull Rod Assembly, throttle linkage			A111J0044F	1
65	Ball Joint, pull rod			A111J6015F	2
66	Locknut, M5, ball joint pull rod			A082W3088F	2
67	Bracket, throttle pedal to pull rod			B111J0046F	1
68	Pop rivet, 3/16", bracket to throttle pedal			A075W6087Z	1
69	Nut, nyloc, M5, throttle pedal link fix.			A100W3113F	2
70	Blanking Plug			A111J6020F	2
71	Trunnion, clutch pedal	Can be retro fitted if required	VIN: X7261 on	A111J0155F	1
72	Bush, synthetic, clutch pedal trunnion	Can be retro fitted if required	VIN: X7261 on	A111J6036F	2
73	Grease, molycote DC33 medium, pedal bush lube	Not illustrated		A111F6016V	As req.

ELISE

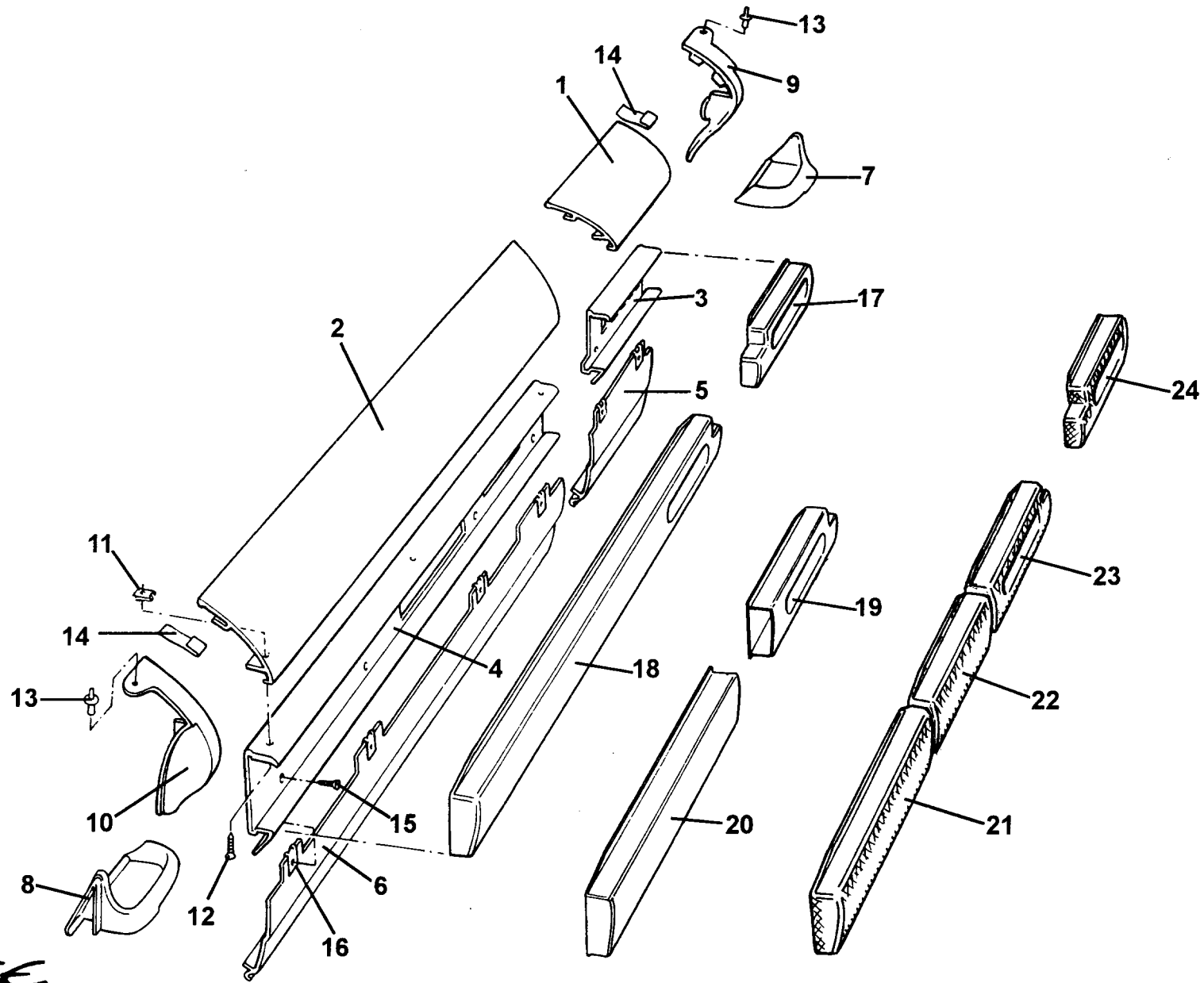
Service Parts List *ELISE*



Function Code 14.05 Fascia Structure & Supporting Hardware

<u>Dep</u>	<u>Part Description</u>	<u>Remarks</u>	<u>Option</u>	<u>Part Number</u>	<u>Qty</u>
01	Dash Panel Upper, driver's side (short)		RHD	B111U0106F	1
01a	Dash Panel Upper, driver's side (short)		LHD	B111U0105F	1
02	Dash Panel Upper, passenger's side (long)		RHD	B111U0108F	1
02a	Dash Panel Upper, passenger's side (long)		LHD	B111U0107F	1
03	Dash Panel Middle, driver's side (short)		RHD	B111U0110F	1
03a	Dash Panel Middle, driver's side (short)		LHD	B111U0109F	1
04	Dash Panel Middle, passenger's side (long)		RHD	B111U0112F	1
04a	Dash Panel Middle, passenger's side (long)		LHD	B111U0111F	1
05	Dash Panel Lower, driver's side (short)		RHD/LHD	B111U0113F	1
06	Dash Panel Lower, passenger's side (long)		RHD/LHD	B111U0114F	1
07	Coin Tray, RH			A111V0086K	1
08	Coin Tray, LH			A111V0087K	1
09	Finisher, dash end, RH			A111V0056K	1
10	Finisher, dash end, LH			A111V0057K	1
11	Spire Nut	Dash middle to upper		A075W6016Z	6
12	Screw, No.8 x 3/4", csk. pozi.	Dash middle to upper		A111W5215F	6
13	Plastic Rivet	Dash end finishers		A082W6515F	2
14	Spring Clip, anti-rattle			A111B0190F	4

ELISE



ELISE
14.05

Function Code 14.05 Fascia Structure & Supporting Hardware

<u>Dep</u>	<u>Part Description</u>	<u>Remarks</u>	<u>Option</u>	<u>Part Number</u>	<u>Qty</u>
15	Screw No 6 x 3/4, csk. pozi.	Dash middle to lower		A075W5026Z	6
16	Spire Nut	Dash middle to lower		A082W6239F	6
17	Dash Infill Panel, driver's side (short)		RHD	A111V0069K	1
17a	Dash Infill Panel, driver's side (short)		LHD	A111V0071K	1
18	Dash Infill Panel, passenger's side (long)		RHD	A111V0079K	1
18a	Dash Infill Panel, passenger's side (long)		LHD	A111V0081K	1
19	Dash Infill Panel, centre	Part of radio fitting kit	RHD	A111V0073K	1
19a	Dash Infill Panel, centre	Part of radio fitting kit	LHD	A111V0075K	1
20	Dash Infill Panel, passenger's side	Part of radio fitting kit	RHD/LHD	A111V0077K	1
21	Dash Infill Panel, weave pattern, passenger's side		RHD/LHD, 111S	A111V0446K	1
21a	Dash Infill Panel, senotex, passenger's side	From 111S intro., Jan. '99	RHD/LHD, standard car	A111V0398K	1
22	Dash Infill Panel, weave pattern, radio blanking		RHD/LHD, 111S	A111V0448K	1
22a	Dash Infill Panel, senotex, radio blanking	From 111S intro., Jan. '99	RHD/LHD, standard car	A111V0546K	1
23	Dash Infill Panel, weave pattern, switches/htr. conts., LH		RHD/LHD, 111S	A111V0444K	1
23a	Dash Infill Panel, senotex, switches/htr. conts., LH	From 111S intro., Jan. '99	RHD/LHD, standard car	A111V0391K	1
24	Dash Infill Panel, weave pattern, switches/htr. conts., RH		RHD/LHD, 111S	A111V0442K	1
24a	Dash Infill Panel, senotex, switches/htr. conts., RH	From 111S intro., Jan. '99	RHD/LHD, standard car	A111V0390K	1

ELISE

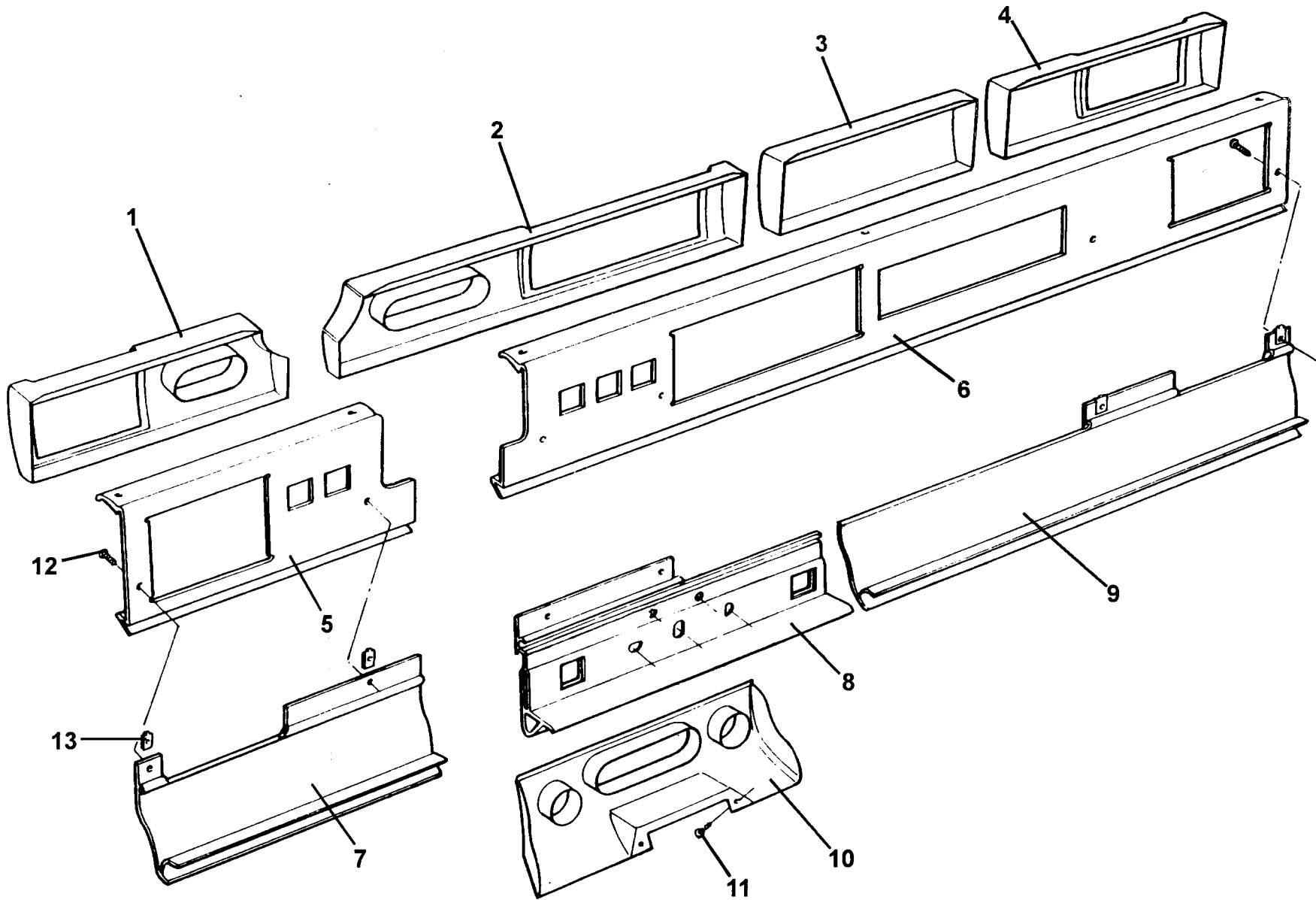
Service Parts List *ELISE*



Function Code 14.05a Fascia Structure & Supporting Hardware AC Cars

<u>Dep</u>	<u>Part Description</u>	<u>Remarks</u>	<u>Option</u>	<u>Part Number</u>	<u>Qty</u>
01	Infill Panel, driver's side, single vent.		RHD	A111V0268K	1
02	Infill Panel, centre, twin vent.		RHD	A111V0270K	1
03	Blanking Panel, radio aperture		RHD	A111V0281K	1
04	Infill Panel, passenger's side, single vent.		RHD	A111V0278K	1
05	Dash Panel Middle, driver's side (short)		RHD	A111U0364F	1
06	Dash Panel Middle, passenger's side (long)		RHD	A111U0366F	1
07	Dash Panel Lower, driver's side (short)		RHD	A111U0360F	1
08	AC Switch Panel		RHD	A111U0370F	1
09	Dash Panel Lower, passenger's side (long)		RHD	A111U0362F	1
10	Trim Panel, AC switches		RHD	A111V0290K	1
11	Screw, No.6 x 1/2", flg. hd. pozi.	Trim panel to dash		A075W5012F	2
12	Screw, No.6 x 3/4", csk. pozi.	Dash middle to lower		A075W5026Z	6
13	Spirenut	Dash middle to lower		A082W6239F	6

ELISE



ELISE
14.05a

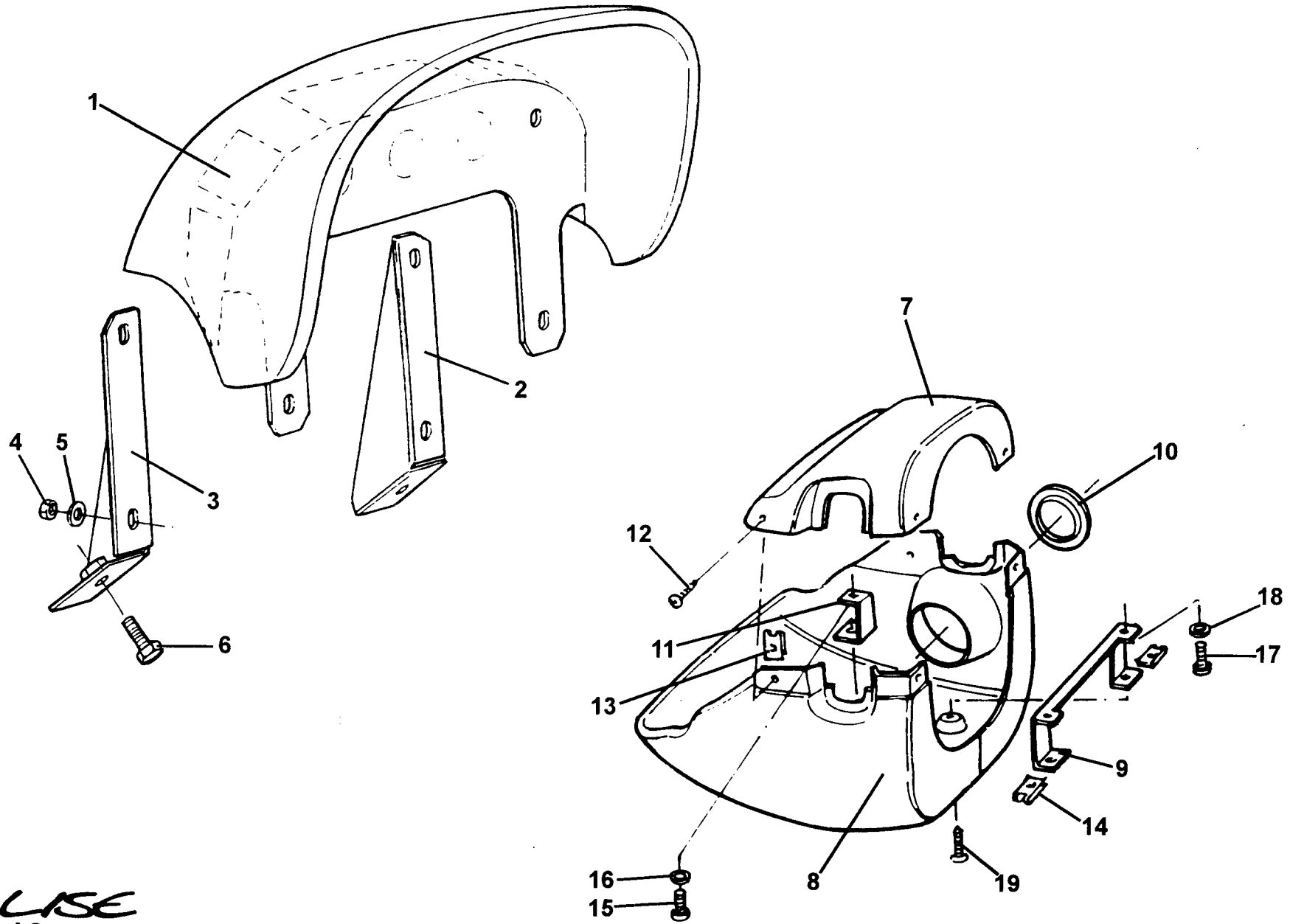
Service Parts List *ELISE*



Function Code 14.10 Instrument Binnacle.

<u>Dep</u>	<u>Part Description</u>	<u>Remarks</u>	<u>Option</u>	<u>Part Number</u>	<u>Qty</u>
01	Instrument Binnacle Assembly			A111U0146J	1
02	Bracket, instrument mounting, RH			C111U0156F	1
03	Bracket, instrument mounting, LH			C111U0155F	1
04	Nut, M4	Instrument pack to brackets		A075W3019F	4
05	Washer, flat, M4 x 9 x 0 8	Instrument pack to brackets		A082W4099F	4
06	Screw, M6 x 15, hex. hd.	Brackets to dash		A100A6024F	2
07	Cowling, steering column upper			B111V0059K	1
08	Cowling, steering column, lower, RHD			A111V0062K	1
08a	Cowling, steering column lower, LHD			A111V0063K	1
09	Bracket, steering column cowling front			A111U0127F	1
10	Grommet, steering lock to cowling			A100V6061F	1
11	Bracket, steering column cowling rear			A111U0128F	1
12	Screw No 8 x 3/4, csk. pozi.	Upper to lower cowling		A075W5012F	4
13	Spire Nut M6	Upper to lower cowling		A079W6024F	4
14	Spire Nut M8	Cowling to brackets		A075W6016Z	3
15	Screw No 10 x 1/2	Bracket to column rear		A075W5040Z	2
16	Washer M5	Bracket to column rear		A075W4011Z	2
17	Screw M4 x 10mm	Bracket to column front		A075W5079F	1

ELISE



ELISE
14.10

Function Code 14.10 Instrument Binnacle.

<u>Dep</u>	<u>Part Description</u>	<u>Remarks</u>	<u>Option</u>	<u>Part Number</u>	<u>Qty</u>
18	Washer, M4 int. shakeproof	Bracket to column front		A075W4086F	1
19	Screw, no. 8 x 3/4"	Cowling to brackets		A075W5074Z	3

ELSE

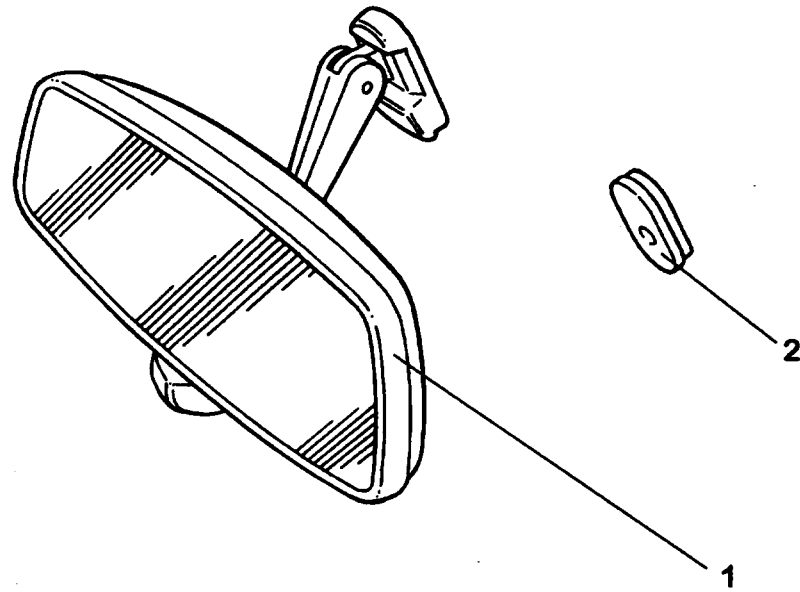
Service Parts List *ELISE*



Function Code 15.05 Interior Driving Mirror

<u>Dep</u>	<u>Part Description</u>	<u>Remarks</u>	<u>Option</u>	<u>Part Number</u>	<u>Qty</u>
01	Mirror, interior rear view			A111U6001F	1
02	Mounting Plinth, interior mirror			A111U6026F	1
	Adhesive Kit, mirror mounting plinth			A100B6230S	1

ELISE



ELISE
15.05

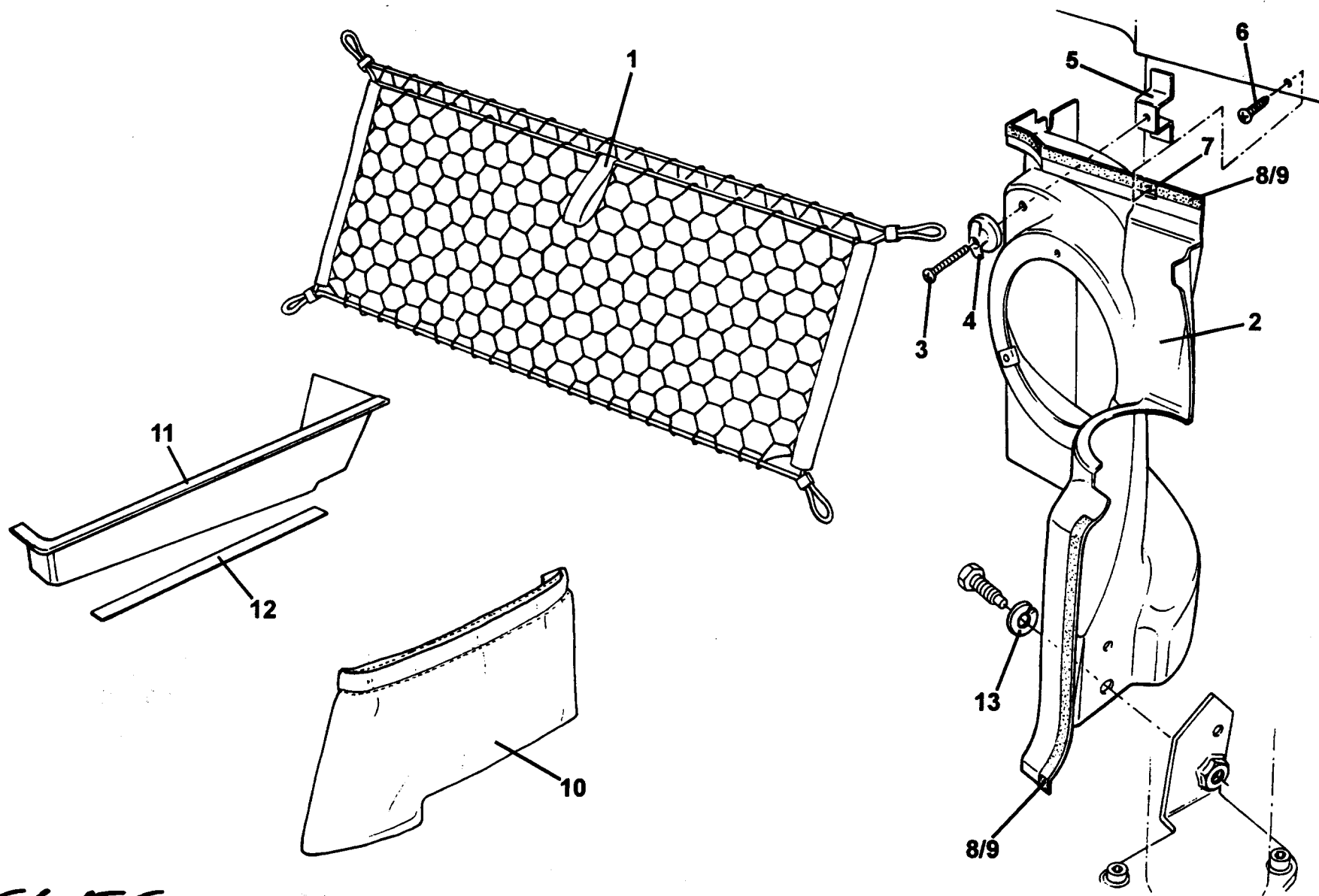
Service Parts List *ELISE*



Function Code 15.11 Interior trim, & Stowage Provision

<u>Dep</u>	<u>Part Description</u>	<u>Remarks</u>	<u>Option</u>	<u>Part Number</u>	<u>Qty</u>
01	Stowage Net			A111V6008F	1
02	Rear Quarter Trim, LH			B111V0053K	1
02a	Rear Quarter Trim, RH	With hole for grommet, item 14		B111V0052K	1
03	Screw, M4 x 30 pan hd. pozi.			A111W5222F	4
04	'T' Anchor, stowage net retention			A111V6009F	4
05	Bracket, fixing post stowage net	Bonded to rear bulkhead		A111V0103F	2
06	Screw No. 6 x 1/2", trim fix.			A075W5012F	2
07	Spire Nut, trim fix.			A079W6024F	2
08	Grip-Loc Self Adhesive Loop 20mm	Rear trim to bulkhead/'B' post		A111V6019V	2M
09	Grip-Loc Self Adhesive Hook 20mm	Rear trim to bulkhead/'B' post		A111V6020V	2M
10	Pocket, passenger stowage RHD	Side of gear lever cover		A111V0274J	1
10a	Pocket, passenger stowage LHD	Side of gear lever cover		A111V0275J	1
11	Stowage Tray, RHD	Driver's side		A111V0100K	1
11a	Stowage Tray, LHD	Driver's side		A111V0101K	1
12	Double Sided Tape, stowage tray fixing			C075U6071V	As req.
13	Washer, spring M12	Between belt reel & trim panel		A075W4069F	2
14	Grommet, allen key stowage	Not illustrated, in RH rear trim, also see 12.02		A036B6182Z	1

ELISE



ELISE
15.11

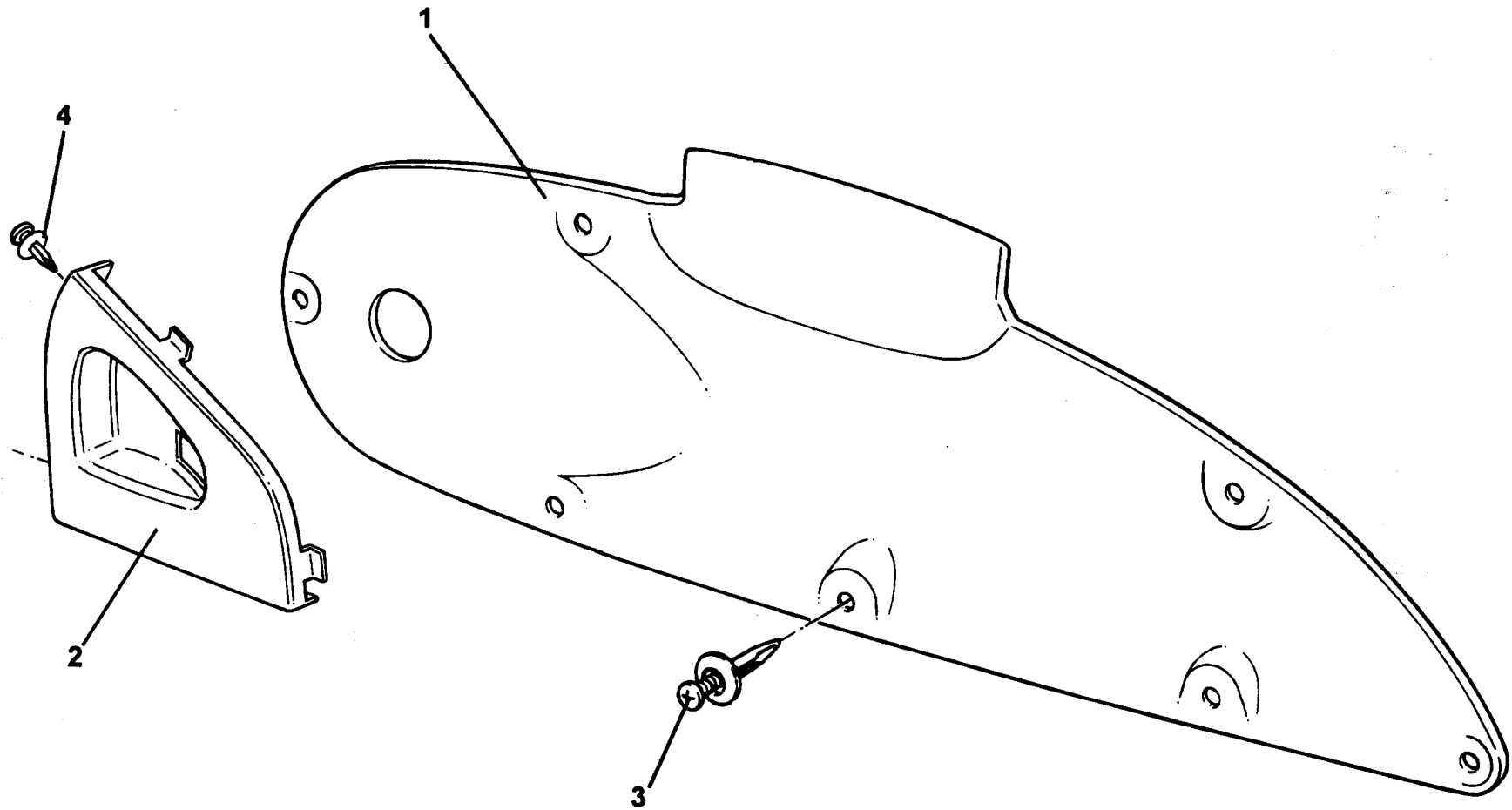
Service Parts List *ELISE*



Function Code 15.13 Front Door Trims

<u>Dep</u>	<u>Part Description</u>	<u>Remarks</u>	<u>Option</u>	<u>Part Number</u>	<u>Qty</u>
01	Door Trim, RH			A111V0040K	1
01a	Door Trim, LH			A111V0041K	1
02	Escutcheon, interior release, RH			A111V0044K	1
02a	Escutcheon, interior release, LH			A111V0045K	1
03	Plastic Fastener, door trims			A111W6534F	14
04	Plastic Fastener, escutcheons			A111W6535F	4

ELISE



ELISE
15.13

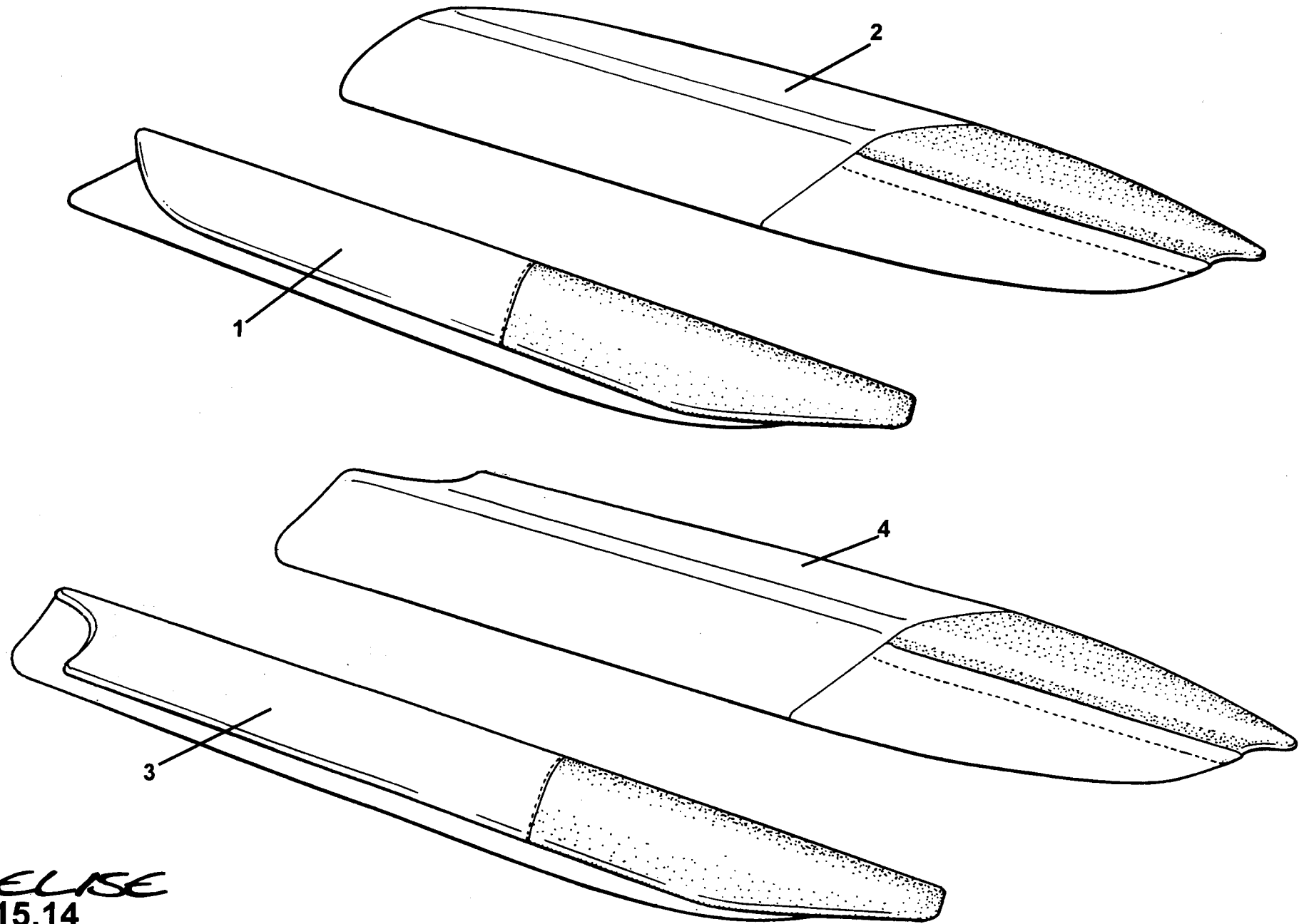
Service Parts List *ELISE*



Function Code 15.14 Interior Trims

<u>Dep</u>	<u>Part Description</u>	<u>Remarks</u>	<u>Option</u>	<u>Part Number</u>	<u>Qty</u>
01	Trim Pad Assembly, LH		Blue leather	A111V0113J	1
01a	Trim Pad Assembly, LH		Red leather	A111V0115J	1
01b	Trim Pad Assembly, LH		Fawn leather	A111V0109J	1
01c	Trim Pad Assembly, LH		Charcoal leather	A111V0111J	1
01d	Trim Pad Assembly, LH		Magnolia leather	A111V0249J	1
01e	Trim Pad Assembly, LH		Black leather	A111V0202J	1
01f	Trim Pad Assembly, LH		Red Wing, leather	A111V0204J	1
01g	Trim Pad Assembly, LH		Racing green	A111V0179J	1
01h	Trim Pad Assembly, LH		Begonia	A111V0188J	1
01i	Trim Pad Assembly, LH		Viking blue	A111V0183J	1
01j	Trim Pad Assembly, LH		Golden tan	A111V0173J	1
02	Trim Pad Assembly, RH		Blue leather	A111V0114J	1
02a	Trim Pad Assembly, RH		Red leather	A111V0116J	1
02b	Trim Pad Assembly, RH		Fawn leather	A111V0110J	1
02c	Trim Pad assembly, RH		Charcoal leather	A111V0112J	1
02d	Trim Pad Assembly, RH		Magnolia leather	A111V0248J	1
02e	Trim Pad Assembly, RH		Black leather	A111V0203J	1
02f	Trim Pad Assembly, RH		Red wing, leather	A111V0205J	1

ELISE



ELISE
15.14

Function Code 15.14 Interior Trims

<u>Dep</u>	<u>Part Description</u>	<u>Remarks</u>	<u>Option</u>	<u>Part Number</u>	<u>Qty</u>
02g	Trim Pad Assembly, RH		Racing green	A111V0179J	1
02h	Trim Pad Assembly, RH		Begonia	A111V0189J	1
02i	Trim Pad Assembly, RH		Viking blue	A111V0184J	1
02j	Trim Pad Assembly, RH		Golden tan	A111V0174J	1
03	Trim Pad Assembly, long, LH	AC cars	Black only	A111V0251J	1
04	Trim Pad Assembly, long, RH	AC cars	Black only	A111V0250J	1

ELISE

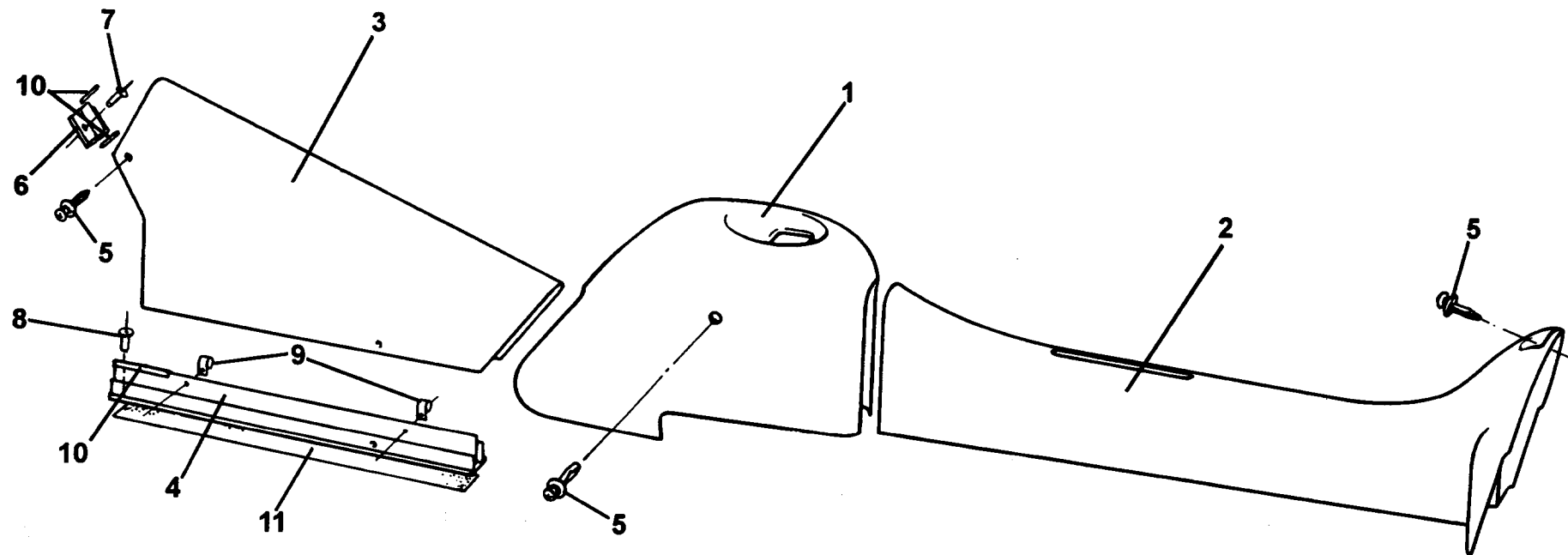
Service Parts List *ELISE*



Function Code 15.19 Centre Tunnel Trim, Gear Lever Gaiters/Shrouds

<u>Dep</u>	<u>Part Description</u>	<u>Remarks</u>	<u>Option</u>	<u>Part Number</u>	<u>Qty</u>
01	Cover, gear lever, RHD	No stowage pocket fixing		A111U0216K	1
01a	Cover, gear lever, RHD	With pocket fixing		A111U0212K	1
01b	Cover, gear lever, LHD	Assembly with pocket		A111U0209J	1
01c	Cover, gear lever, LHD	No stowage pocket fixing		A111U0217K	1
01d	Cover, gear lever, LHD	With pocket fixing		A111U0211K	1
01e	Cover, gear lever, RHD	Assembly with Pocket		A111U0210J	1
02	Cover, handbrake			A111U0102K	1
03	Cover, tunnel front, RHD	Alloy		B111A0068F	1
03a	Cover, tunnel front, LHD	Alloy		A111A0106F	1
04	Mounting Bracket, front tunnel to floor			C111A0067F	1
05	Plastic Fastener, tunnel fix.			A082W6505F	7
06	Mounting Bracket, front tunnel to toeboard			B111A0069F	1
07	Pop Rivet, 3/16" x 9/16", bracket fix.			A082W6243F	1
08	Blind Rivet, tunnel mount fix.			A111W6613F	4
09	Clip, harness retention			A082W5457F	2
10	Edging Strip, harness protection			A075U6045V	0.16M
11	Tape, double sided, tunnel mount to floor			B075U6070V	0.55M

ELISE



ELISE
15.19

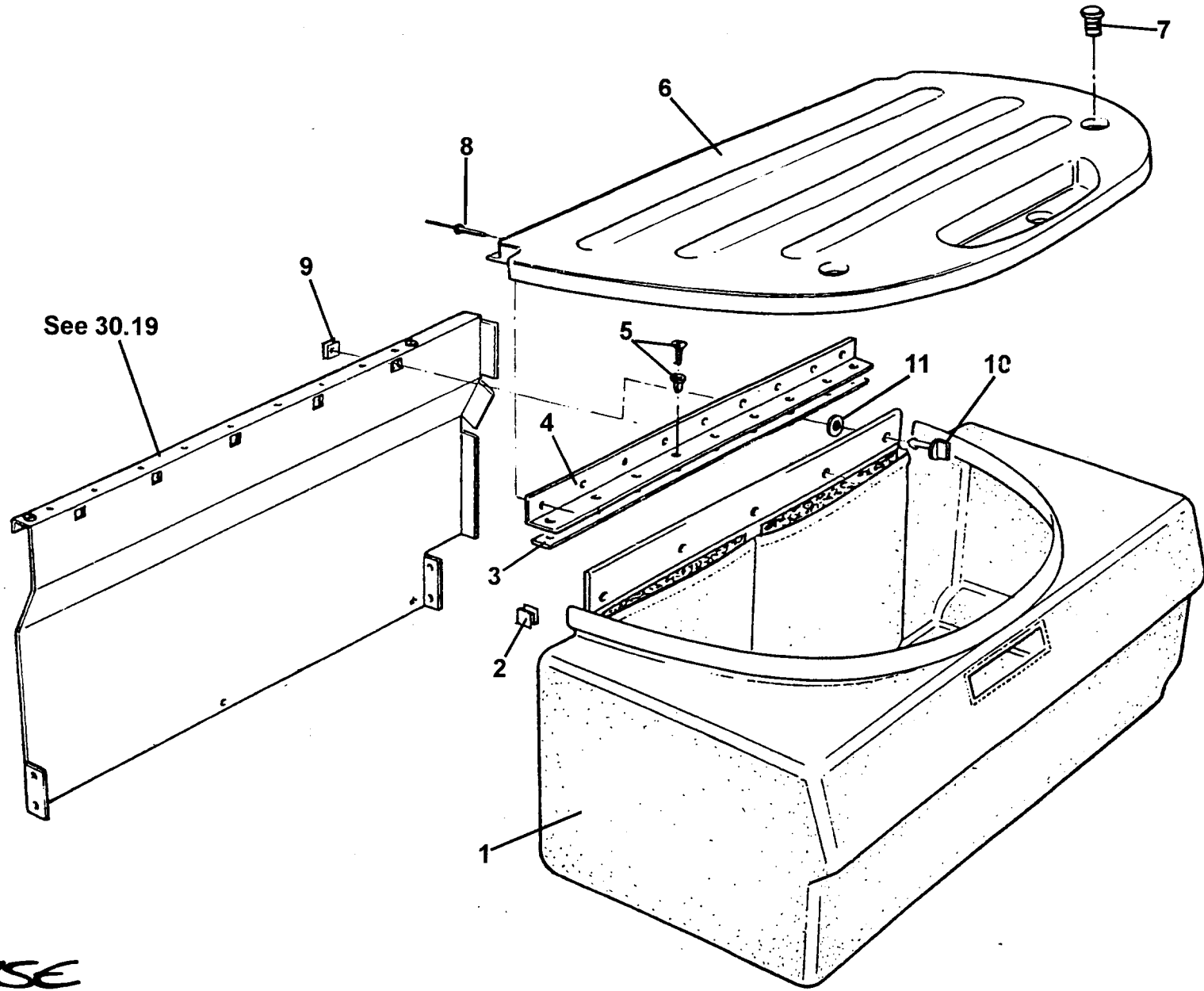
Service Parts List *ELISE*



Function Code 15.23 Boot/Luggage Compartment

<u>Dep</u>	<u>Part Description</u>	<u>Remarks</u>	<u>Option</u>	<u>Part Number</u>	<u>Qty</u>
01	Boot Bag Assembly			A111V0151J	1
02	Clip, boot bag to clamshell gutter			A111V0156F	2
03	Shim 1.6mm, , hinge height adjustment			A111V0155K	As req.
03a	Shim 2.4mm, , hinge height adjustment			A111V0154K	As req.
04	Hinge, boot bag lid			A111V0143F	1
05	Fastener, plastic, hinge to bulkhead			A111W6535F	9
07	Buffer/Adjuster, boot bag lid			A082U6163F	2
08	R-Lok Expansion Rivet, hinge to boot bag lid			A111W6604F	9
09	Cam, turnbuckle, boot bag to bulkhead			B075W6181F	5
10	Stud, turnbuckle, boot bag to bulkhead			A075W6180F	5
11	Washer, flat, boot bag to bulkhead			A075W6180F	5

ELISE



ELISE
15.23

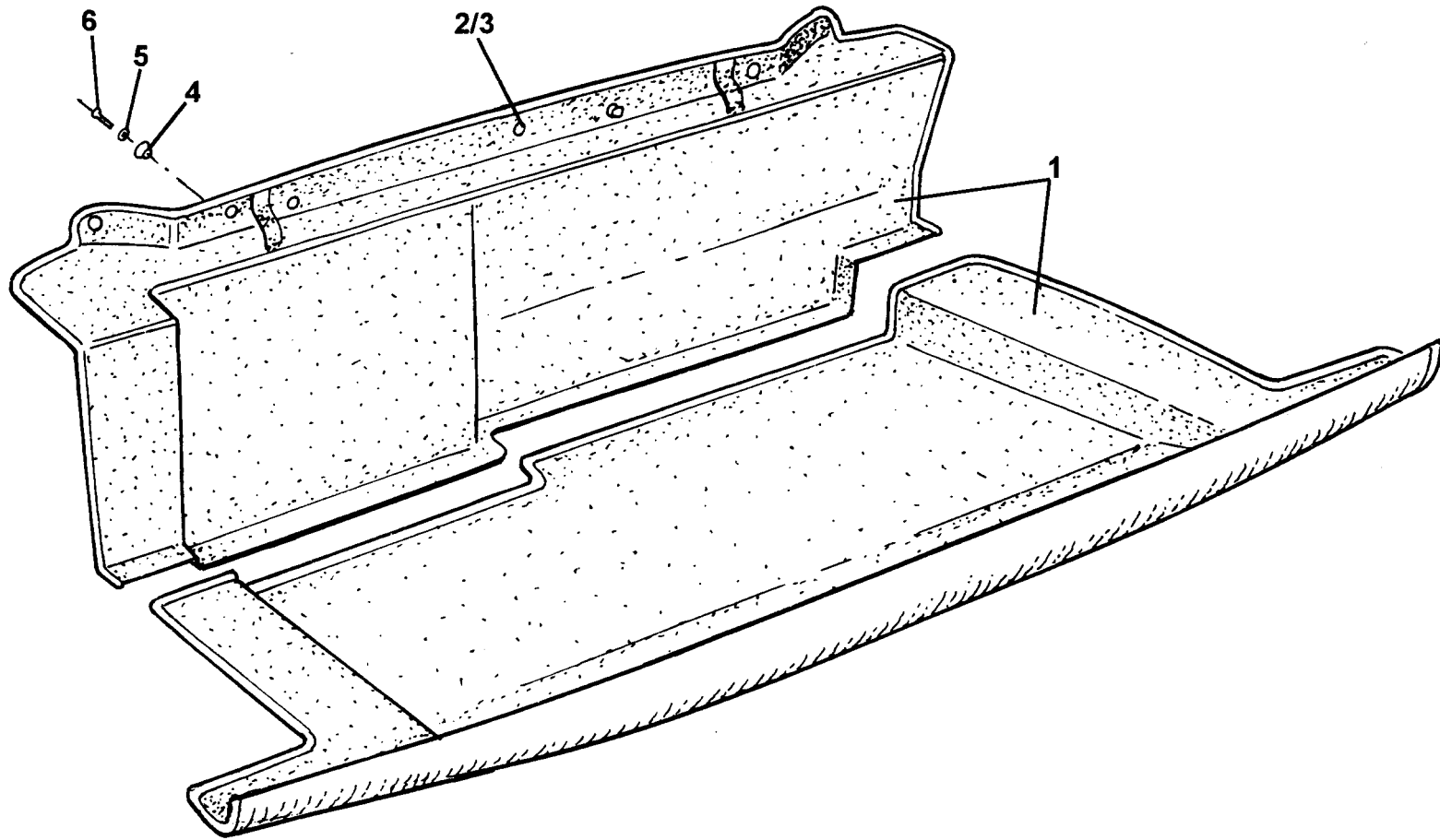
Service Parts List *ELISE*



Function Code 15.24 Luggage Compartment Carpet

<u>Dep</u>	<u>Part Description</u>	<u>Remarks</u>	<u>Option</u>	<u>Part Number</u>	<u>Qty</u>
01	Carpet Set, composite boot-box	Incl. fastener buttons, items 2/3	Boot-box cars	B111V0427J	1
02	Press Fastener Button, bulkhead carpet fix.	Part of item 1	Boot-box cars	A111B6074F	5
03	Press Fastener Socket, bulkhead carpet fix.	Part of item 1	Boot-box cars	A111B6075F	5
04	Press Fastener Stud, carpet to bulkhead		Boot-box cars	A111B6076F	5
05	Washer, flat, 1/8 x 3/8"		Boot-box cars	A075W4001Z	5
06	Pop Rivet, fastener fix.		Boot-box cars	A075W6070Z	5

ELISE



ELISE
15.24

Service Parts List *ELISE*

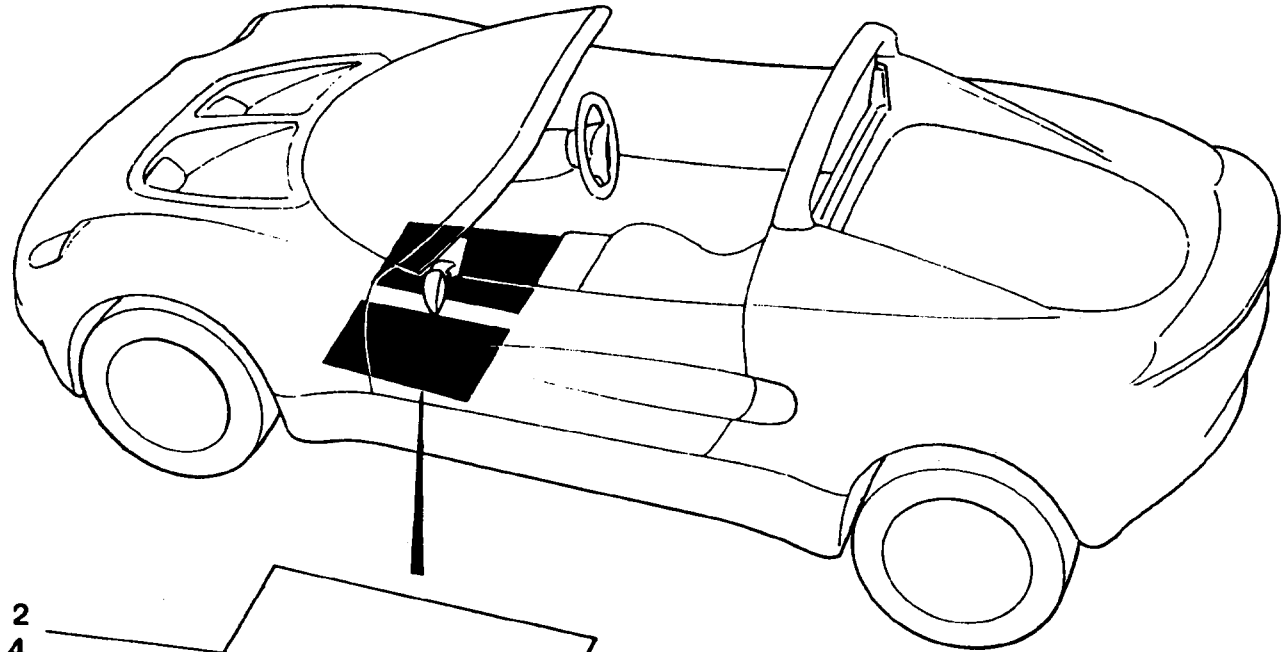
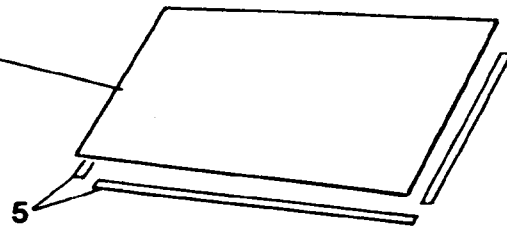


Function Code 15.30 Carpeting & Mats

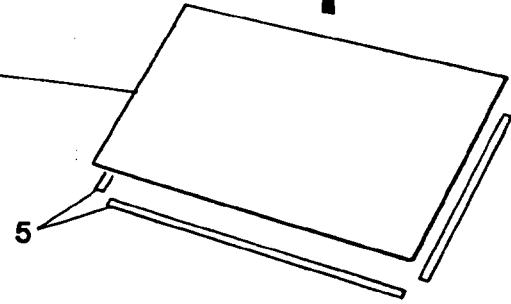
<u>Dep</u>	<u>Part Description</u>	<u>Remarks</u>	<u>Option</u>	<u>Part Number</u>	<u>Qty</u>
01	Floor Mat, RH, RHD			A111V0046K	1
01a	Floor Mat, RH, LHD			A111V0048K	1
02	Floor Mat, LH, RHD			A111V0047K	1
02a	Floor Mat, LH, LHD			A111V0049K	1
05	Double sided tape. 25mm width			B075U6070V	7.5m
06	Floor Mat Set, black/gold, RHD	Not illustrated	JPS 111S	A111V0534F	1

ELISE

RHD 1
LHD 3



RHD 2
LHD 4



ELISE
15.30

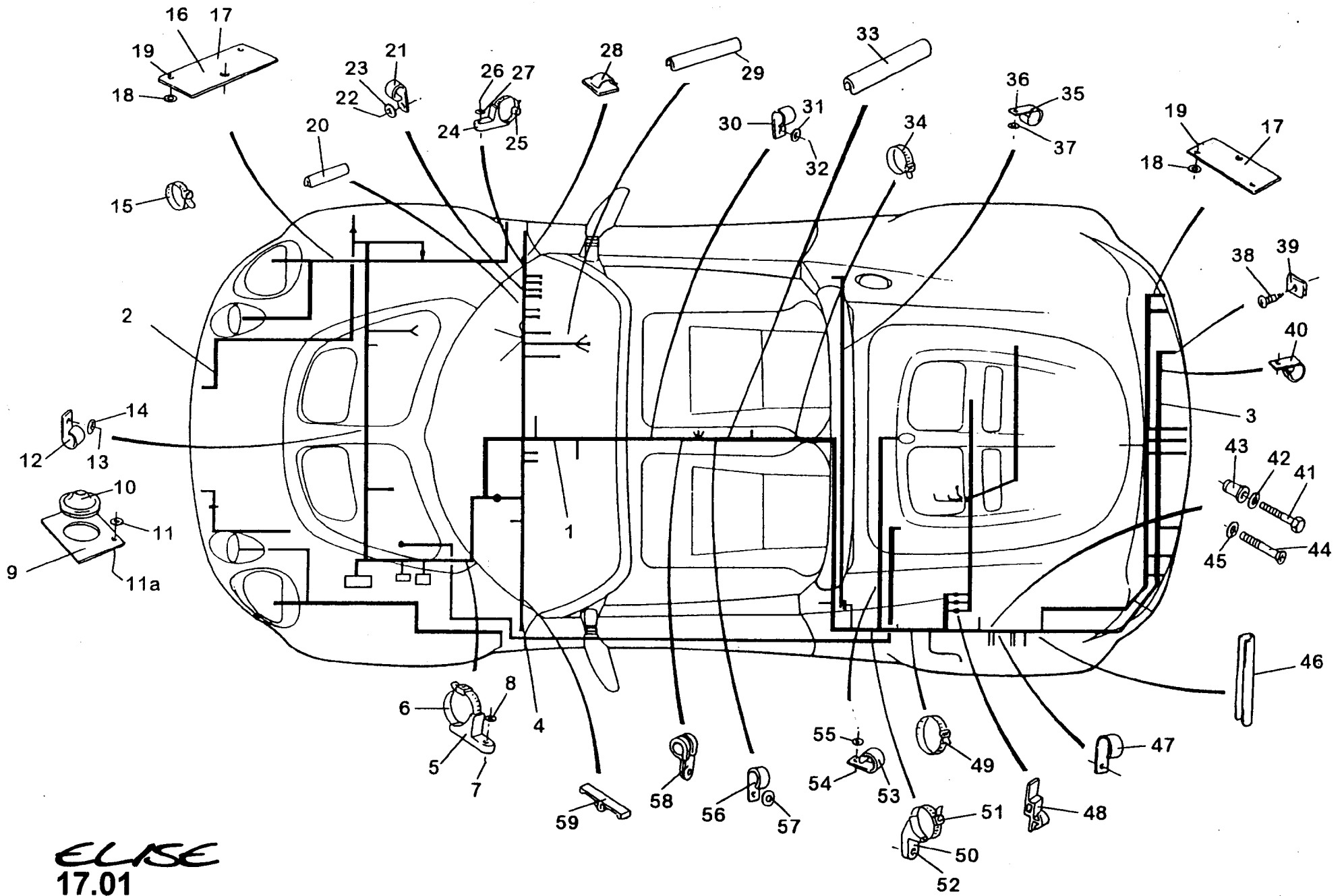
Service Parts List *ELISE*



Function Code 17.01 Harnesses, Leads

<u>Dep</u>	<u>Part Description</u>	<u>Remarks</u>	<u>Option</u>	<u>Part Number</u>	<u>Qty</u>
01	Harness, main	12 slot fusebox	Prior to VIN*, see below	B111M0011F	1
01a	Harness, main	22 slot fusebox	From VIN*, see below	C111M0082F	1
01b	Harness, main		Air conditioning cars	B111M0083F	1
01c	Harness, main		Australia only	B111M0071K	1
01d	Jumper Harness, main loom to fuel pump			A111M6103S	1
02	Harness, front clamshell			A111M0012F	1
03	Harness, rear clamshell			B111M0013F	1
03a	Rear Harness, twin reverse lamps	Not illustrated	Malaysia Specification	A111M0106F	1
03b	Engine Harness	Not illustrated	A.C. cars	A111E6100S	1
03c	Engine Harness	Not illustrated	Heater cars	A111E6141S	1
04	Harness, door switch			A111M0042F	2
05	Tie Wrap Cradle	Main harness to heater duct ABS panel		A082W6276F	2
06	Tie Wrap	Main harness to heater duct ABS panel		A075W6038Z	2
07	Pop Rivet, 3/16" x 7/16"	Main harness to heater duct ABS panel		A075W6087Z	2
08	Washer, flat, M5 x 10 x 1	Main harness to heater duct ABS panel		A075W4011Z	2
09	Mounting Plate, grommet	Main wiring harness grommet to fascia		A111M0040K	1

ELISE

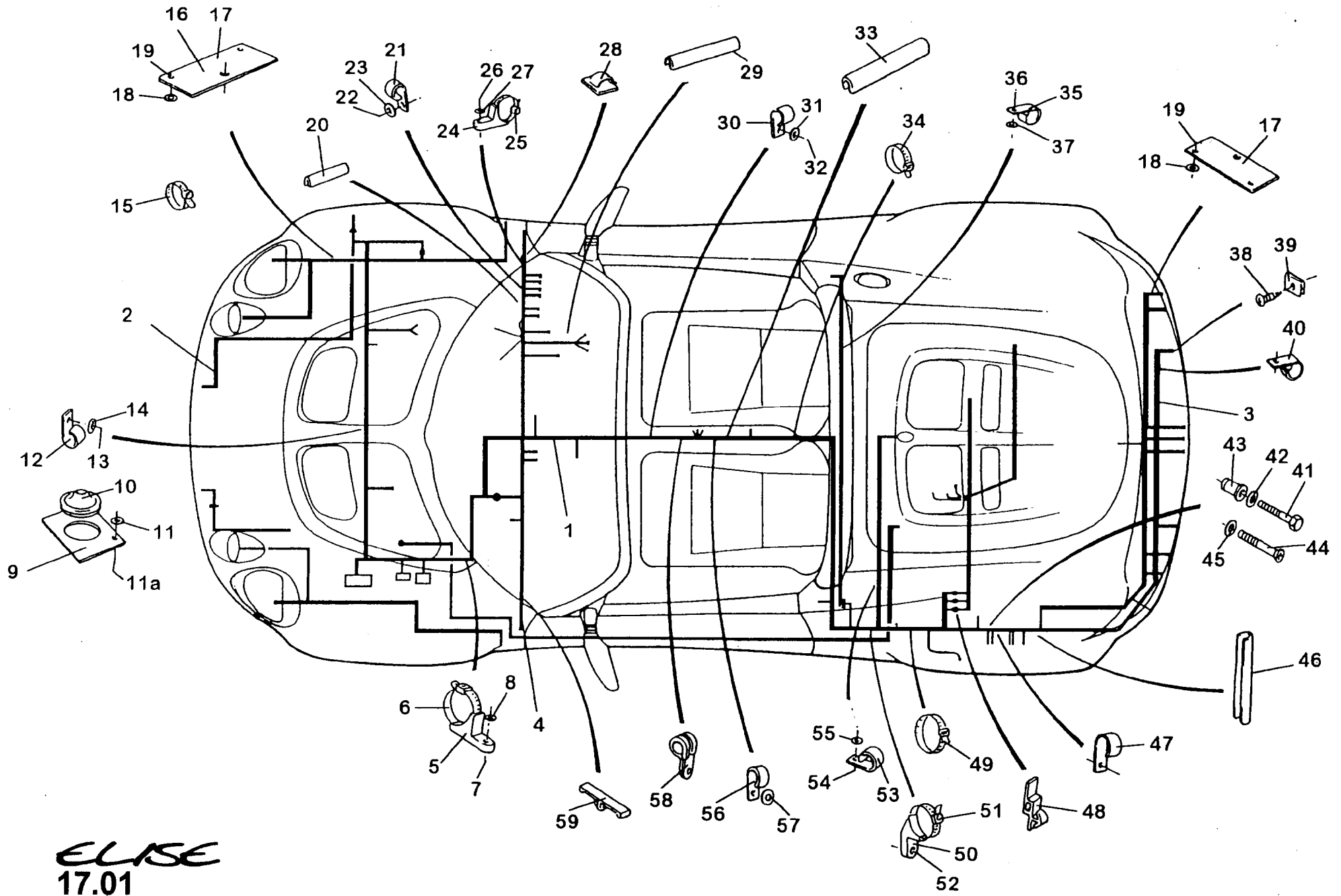


ELISE
17.01

Function Code 17.01 Harnesses, Leads

<u>Dep</u>	<u>Part Description</u>	<u>Remarks</u>	<u>Option</u>	<u>Part Number</u>	<u>Qty</u>
10	Grommet			TBA	1
11	Pop Rivet, 3/16" x 7/16"	Grommet plate		A075W6087Z	2
11a	Washer, flat, 3/16" x 1/2"	Grommet plate		A075W4000Z	2
12	'P' Clip	Main harness to radiator duct		A075W6230F	3
13	'Pop Rivet', 3/16" x 7/16"	Main harness to radiator duct		A075W6087Z	3
14	Washer, flat M5 x 10 x 1.0	Main harness to radiator duct		A075W4011Z	3
15	Tie Wrap			A075W6038Z	2
16	Bracket, long, harness			A111M0020K	2
17	Bracket, short, harness			A111M0021K	4
18	Washer, flat, 1/8" x 3/8"			A075W4001Z	12
19	Pop Rivet, 3.2mm x 11.5mm			A082W6512F	12
20	Edging strip (protective material)			A085U6080V	0.7m
21	'P' Clip			A075W6228F	2
22	Pop Rivet, 3/16" x 7/16"			A075W6097Z	2
23	Washer, flat, M5 x 10 x 1.0			A075W4011Z	2
24	Tie Wrap Cradle			A085W6276F	1
25	Tie Wrap			A075W6038Z	1
26	Pop Rivet, 3/16" x 7/16"			A075W6087Z	1
27	Washer, flat, M5 x 10 x 1.0			A075W4011Z	1
28	Clip, self adhesive			A075W6044Z	2
29	Rubber Edging Strip			A085U6080V	0.36m

ELISE

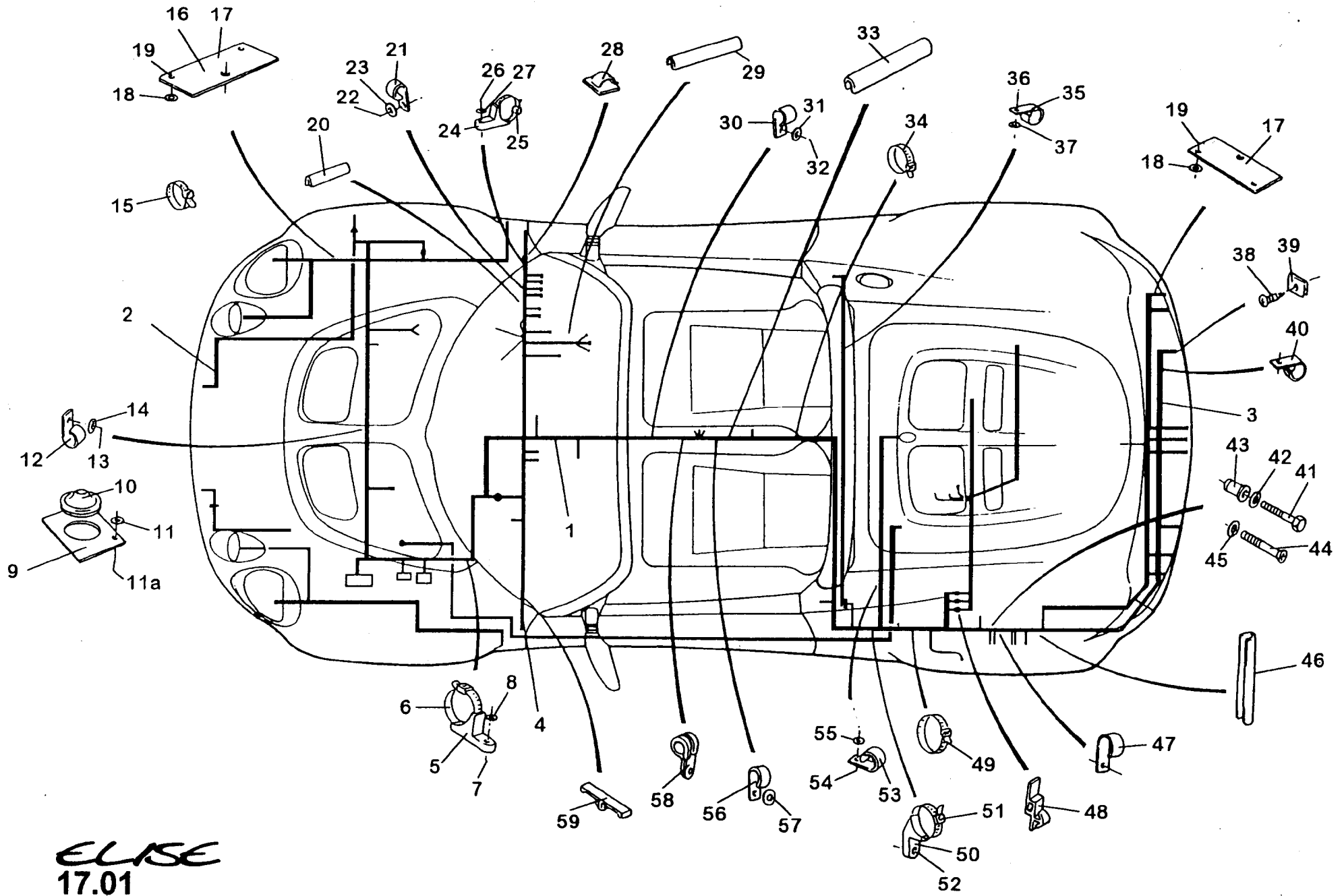


ELISE
17.01

Function Code 17.01 Harnesses, Leads

<u>Dep</u>	<u>Part Description</u>	<u>Remarks</u>	<u>Option</u>	<u>Part Number</u>	<u>Qty</u>
30	'P' Clip			A075W6228F	3
31	Washer, flat, M5 x 10 x 1.0			A075W4011Z	3
32	Pop Rivet, 3/16" x 7/16"			A075W6087Z	3
33	Rubber edging Strip			A085W6080V	0.11m
34	Tie Wrap	Main harness to H/brake cable		A075W4011Z	2
35	'P' Clip	Speaker wiring rear bulkhead		A075W6227F	6
36	Pop Rivet, 3/16" x 7/16"			A075W6087Z	6
37	Washer			A075W4011Z	6
38	Screw, No6 x 1/2" pozi.	Fog/Reverse lamp wiring to clam shell		A075W5012F	4
39	Spire Nut, No6	Fog/Reverse lamp wiring to clam shell		A079W6024F	4
40	'P' Clip	Fog/Reverse lamp wiring to clam shell		A075W6000F	4
41	Setscrew, M5 x 16mm	Rear fuses to ECM plate		A082W5107F	1
42	Washer, flat, M5 x 10 x 1.0	Rear fuses to ECM plate		A075W4011Z	1
43	Pulsert, M5	Rear fuses to ECM plate		A111W6539F	1
44	Setscrew, M4 x 12mm	Diagnostic connector		A100M5143F	2
45	Washer, M4 x 9 x 0.8mm	Diagnostic connector		A082W4099F	2
46	Rubber Edging Strip	Harness protection		A085U6080V	0.50m
47	'P' Clip	Harness to ECM plate		A75W6228F	3

ELISE



ELISE
17.01

Function Code 17.01 Harnesses, Leads

<u>Dep</u>	<u>Part Description</u>	<u>Remarks</u>	<u>Option</u>	<u>Part Number</u>	<u>Qty</u>
48	Clip	Engine harness connectors to panel		A111M6030F	3
49	Tie Wrap	Main harness to rear support strut		A075W6038Z	3
50	Tie Wrap Cradle	Main harness to airbox brkt.		A085W6276F	1
51	Tie Wrap	Main harness to airbox brkt.		A075W6038Z	1
52	Pop Rivet, 3/16" x 7/16"	Main harness to airbox brkt.		A075W6087Z	1
53	'P' Clip	Aerial lead to rear bulkhead		A075W6227F	3
54	Pop Rivet, 3/16" x 7/16"	Aerial lead to rear bulkhead		A075W6099F	3
55	Washer, flat, M5 x 10 x 1.0	Aerial lead to rear bulkhead		A075W4011Z	3
56	'P' Clip	Main harness to handbrake microswitch		A075W6228F	1
57	Washer flat, M5 x 10 x 1.0	Main harness to handbrake microswitch		A075W4011Z	1
58	'P' Clip	Main harness to gearchange casting		A075Q6013Z	1
59	Clip	Door switch harness connector to chassis		A111M6030F	2
60	A/C harness, primary	Not illustrated	AC only	B111M0096F	1
61	Harness, A/C Thermostat bridging link	Not illustrated	AC only	A111M0113F	1
62	Fuel Injector Harness	Not illustrated		A111E6233S	1
63	Harness, link to ECM (EFI)	Not illustrated, WVTA cars	Sport 160, from VIN: Y0651	A111M0151F	1

*VIN: W1941, plus 1920, 1926, 1937, 1938. less 1965, 2002

ELSE

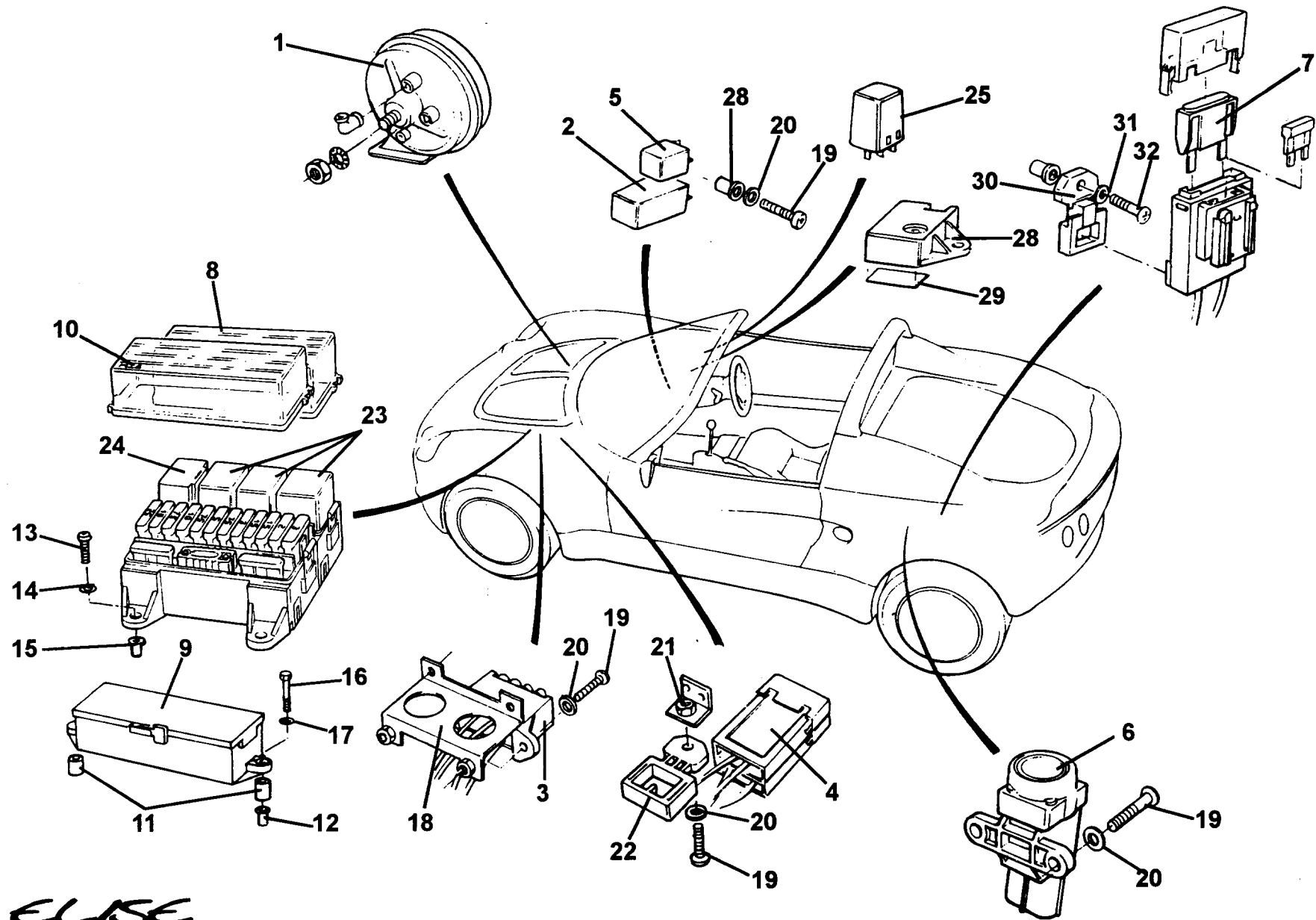
Service Parts List *ELISE*



Function Code 17.03 Fuses, Relays, Horn, Inertia switch etc. Also 17.03a

<u>Dep</u>	<u>Part Description</u>	<u>Remarks</u>	<u>Option</u>	<u>Part Number</u>	<u>Qty</u>
01	Horn 'Low' Note			A100M6031F	1
02	Module, wiper delay			A082M6457F	1
03	Fuse holder			TBA	1
04	50A Maxi Fuse			A100M6078F	2
05	Module, flasher Unit			A083M6303F	1
06	Inertia switch			A082M6598F	1
07	40A Maxi Fuse			A100M6077F	1
08	Cover, relay station	All models		A111M6077S	1
09	Cover, fusebox	Late models		A111M6115S	1
10	Cover, fusebox	Early models		A111M6077S	1
11	Spacer, fitted to fuse box			A111U0368F	2
12	Rawlnut, M5, fuse box to wheelarch			A075W6074F	2
13	Screw, M6 pozi, relay boxes to wheelarch			A075W5089Z	4
14	Washer flat, M6, relay boxes to wheelarch			A075W4015Z	4
15	Rawlnut, M6, relay boxes to wheelarch			A075W6140F	4
16	Bolt, M5 x 45, fuse box to wheelarch			A082W2106F	2
17	Washer flat, M5, fuse box to wheelarch			A075W4011Z	2
18	Bracket, fuse holder			A111U0168F	1

ELISE



ELISE
17.03

Function Code 17.03 Horn, Inertia Switch, Fuses & Relays

<u>Dep</u>	<u>Part Description</u>	<u>Remarks</u>	<u>Option</u>	<u>Part Number</u>	<u>Qty</u>
19	Screw, M5 x 16, pan hd. pozi.			A082W5107F	7
20	Washer, flat, M5 x 10 x 1			A075W4011Z	7
21	Bracket, fuse holders			A111U0167F	1
22	Plastic Clip, bracket to fuse holder			A111M6020F	1
23	Relay Single Contact Changeover - 30A	Horn, cooling fan, dip beam		C079M6141F	3
24	Relay Double Contact 2 x 15A	Main beam		B082M6182F	1
25	Module, rear fog lamp			A111M0067F	1
26	Module, seat belt buzzer			A082M6608F	1
27	Double Sided Tape, 0.4 x 12mm, module fix.			A100B6142V	0.1M
28	Pulsert, M5, modules to dash			A111W6539F	1

ELISE

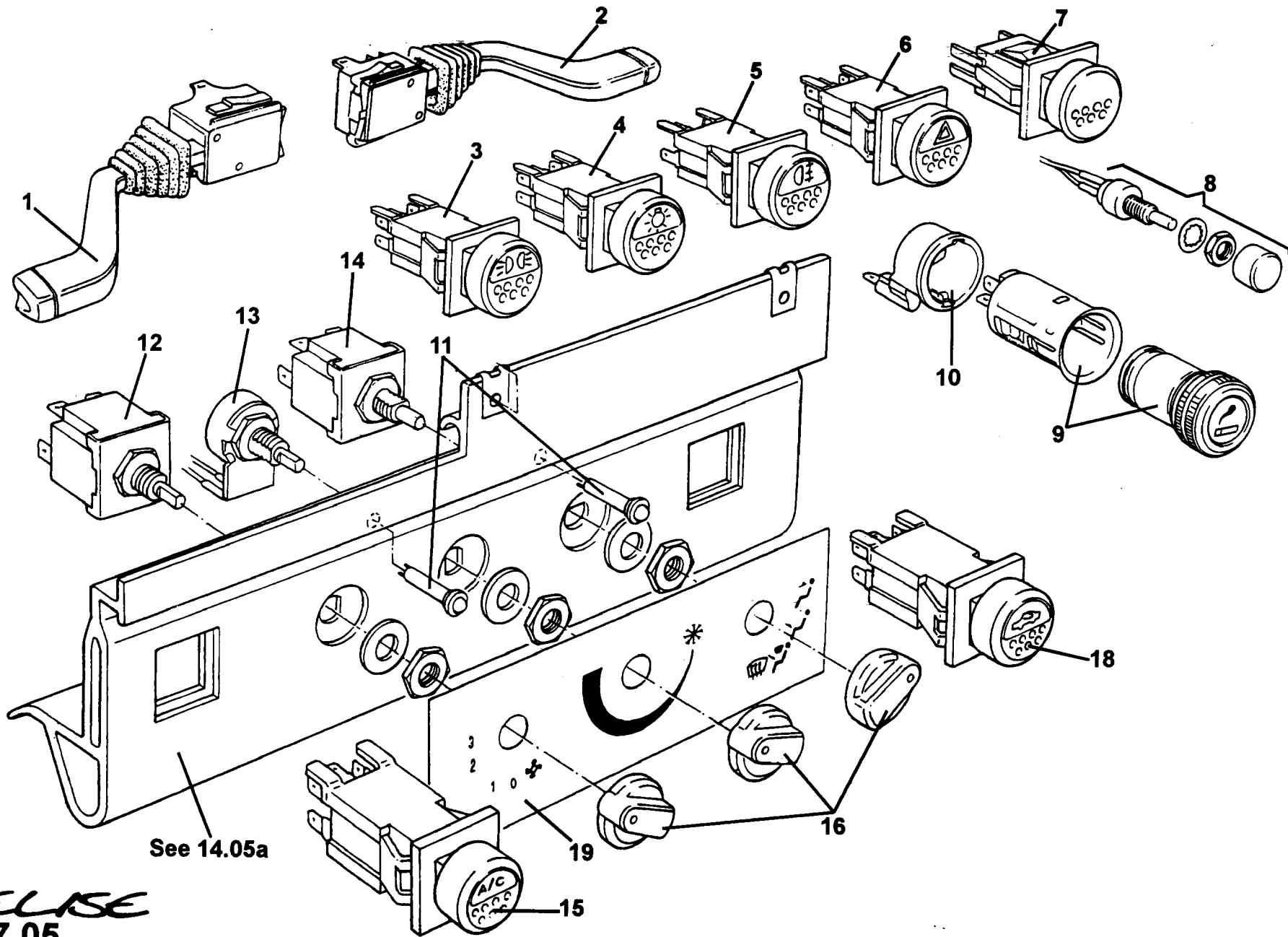
Service Parts List *ELISE*



Function Code 17.05 Interior Switches, Cigar Lighter

<u>Dep</u>	<u>Part Description</u>	<u>Remarks</u>	<u>Option</u>	<u>Part Number</u>	<u>Qty</u>
01	Column Switch, LH, indicators/dip/flash			A100M6048F	1
02	Column Switch, RH, windscreen wipe/wash			A100M6049F	1
03	Switch, sidelamps			A111M0001F	1
04	Switch, master lighting			A111M0002F	1
05	Switch, rear fog			A111M6015F	1
06	Switch, hazard			A111M6016F	1
07	Switch, blank			A111M6000F	1
08	Switch, panel light dimmer / trip reset			A111M6060S	1
09	Cigar Lighter			B100M6041F	1
10	Bezel, cigar lighter			B100M6052F	1
11	LED Assembly, orange		AC cars	A111M6069F	2
12	Switch, three speed fan	Supplied with knob	AC cars	A082M6223F	1
13	Switch, refrigeration control	Suppled with knob	AC cars	A111M6074H	1
14	Switch, air distribution	Supplied with knob	AC cars	A075P6062F	1
15	Switch, air conditioning		AC cars	A111M6067F	1
16	Knob, switch control	Part of items 11, 12 ,13	AC cars	A082P4350F	3
17	Spring clip, knob fix.	Part of item 16, not illustrated	AC cars	A082W6493F	3
18	Switch, recirculation		AC cars	A111M6068F	1

ELISE



See 14.05a

ELISE
17.05

Function Code 17.05 Interior Switches, Cigar Lighter

<u>Dep</u>	<u>Part Description</u>	<u>Remarks</u>	<u>Option</u>	<u>Part Number</u>	<u>Qty</u>
19	Graphics Panel		AC cars	A111P0156F	1
20	Ignition Switch	Not illustrated, part of upper steering colmn		A111M6108S	1

ELSE

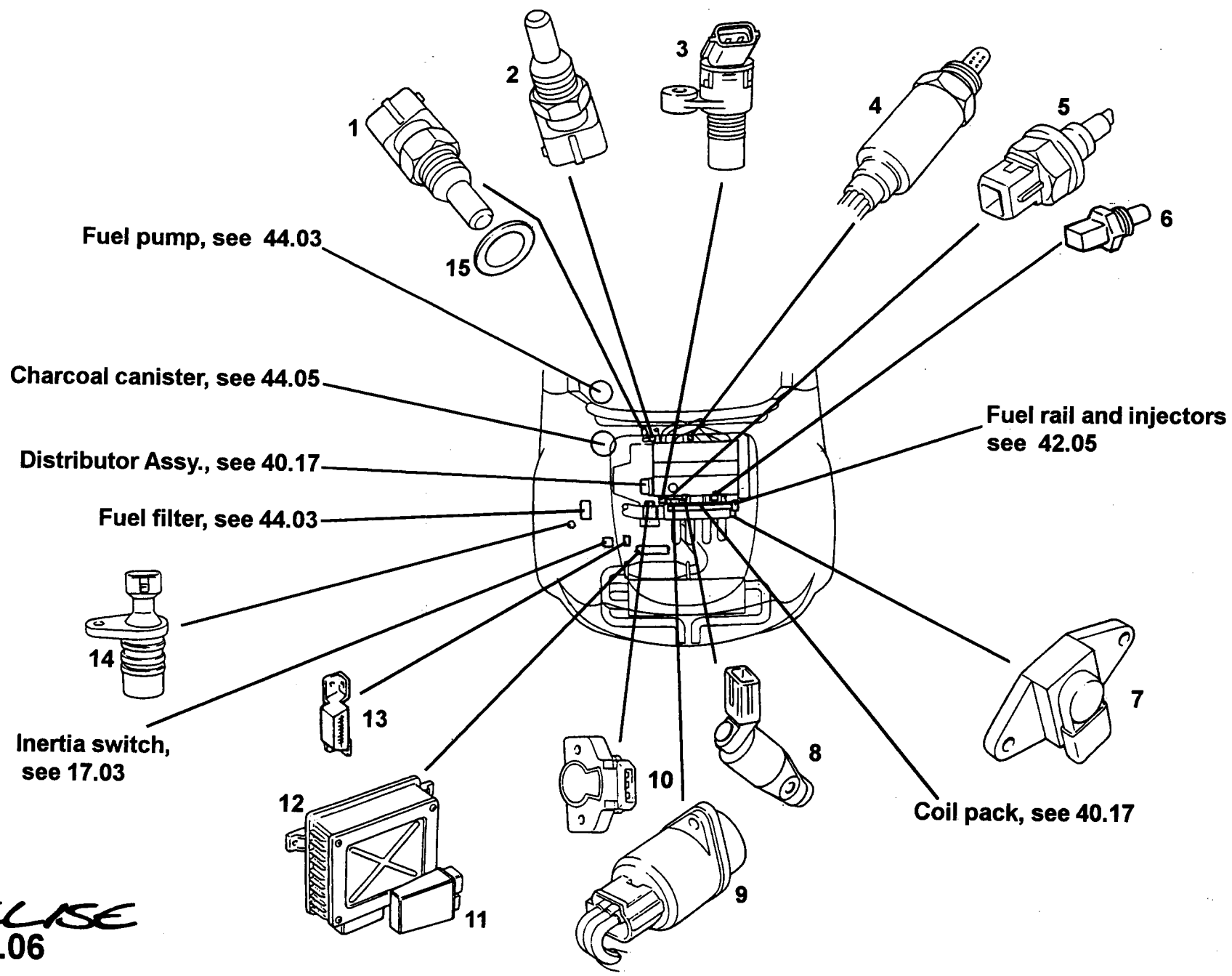
Service Parts List *ELISE*



Function Code 17.06 Engine Management & Sensors

<u>Dep</u>	<u>Part Description</u>	<u>Remarks</u>	<u>Option</u>	<u>Part Number</u>	<u>Qty</u>
01	Engine Coolant Temperature Sensor (horizontal)	Brown housing		A111E6046S	1
02	Water Temperature Gauge Sensor (vertical)	Blue housing		A111E6047S	1
03	Crankshaft Position Sensor			A111E6063S	1
04	Oxygen Sensor (O2 sensor)			A111E6059S	1
05	Intake Air Temperature (IAT) Sensor	Green housing		A111E6061S	1
06	Oil Temperature Sensor	VVC engine	111S		1
07	Manifold Absolute Pressure (MAP) Sensor	VVC /Lotus 160 engines	111S, Sport 160, from VIN: Y0651	A111E6372S	1
08	Cam Angle Sensor	VVC engine	111S	A111E6371S	1
09	Idle Air Control Valve (IAC)			A111E6132S	1
10	Throttle Position Sensor			A111E6064S	1
11	Relay Module (Multi Function Unit)			A111M6024F	1
12	Electronic Control Module (ECM)			C111E6013F	1
12a	Electronic Control Module (ECM)	VVC engine	111S	A111E6223F	1
12b	Electronic Control Module (ECM)	190 VHPD engine	MOTORSPORT	A111E6212S	1
12c	Electronic Control Module (Gems ECM)	Lotus Performance 160, SVA	Sport 160, prior to VIN: Y0651	A111E0046S	1
12d	Electronic Control Module (EFi ECM)	Lotus Performance 160, WVTA	Sport 160, from VIN: Y0651	A111E0050F	1
13	Data Link Connector (DLC)				1
14	Vehicle Speed Sensor			A910E6939F	1

ELISE



ELISE
17.06

Function Code 17.06 Engine Management & Sensors

<u>Dep</u>	<u>Part Description</u>	<u>Remarks</u>	<u>Option</u>	<u>Part Number</u>	<u>Qty</u>
15	Washer, coolant sensor			A111E6058S	1
16	Catalyst Overheat Sensor	Not Illustrated	Japan only	A111E6062S	1

ELISE

Service Parts List *ELISE*



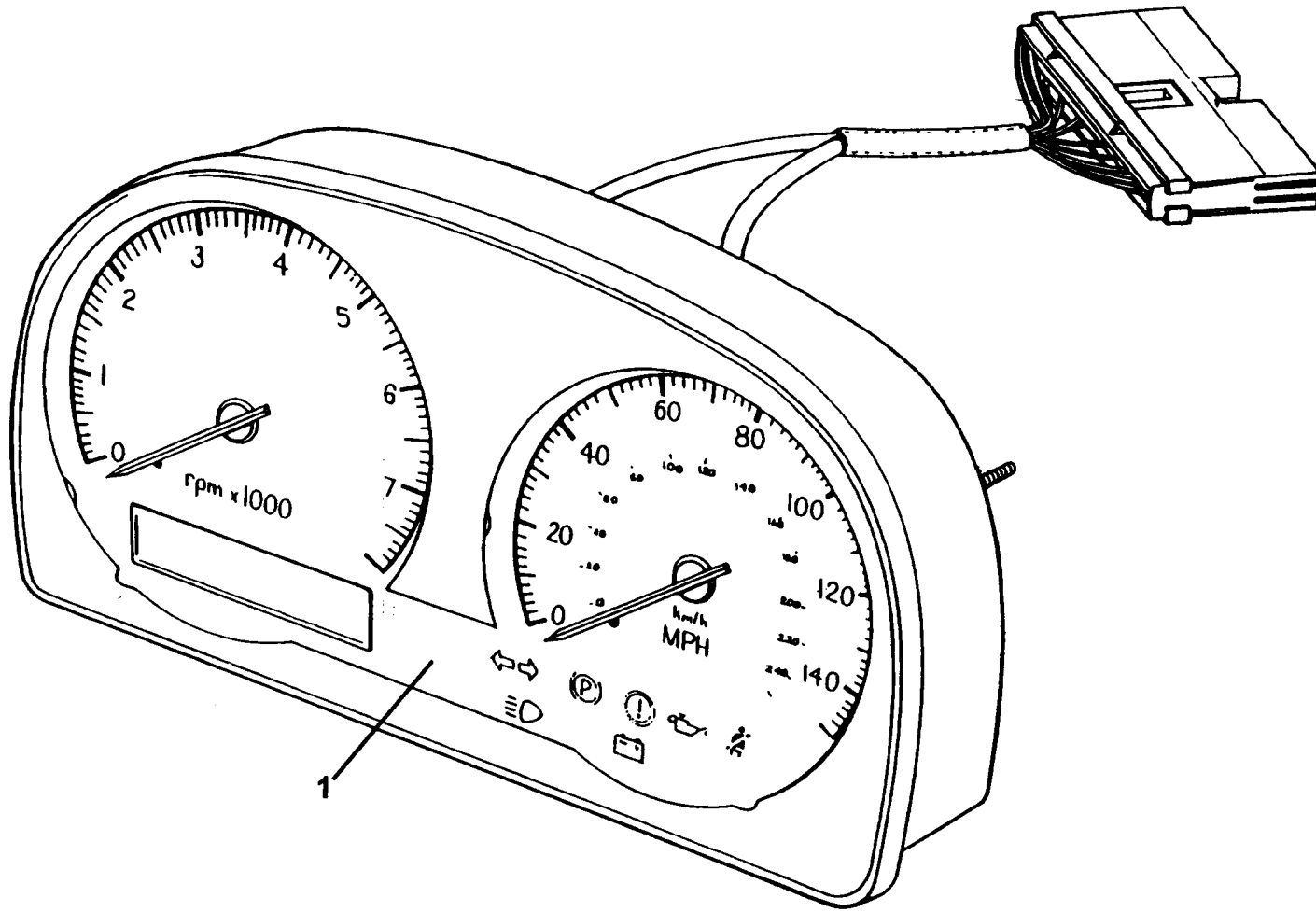
Function Code 17.07 Instruments, Senders, Tell tales, Clocks and Displays.

<u>Dep</u>	<u>Part Description</u>	<u>Remarks</u>	<u>Option</u>	<u>Part Number</u>	<u>Qty</u>
01	Instrument Pack MPH			A111N0001F	1
02	Instrument Pack KPH			A111N0002F	1
03	Oil pressure switch, Tapered thread, 1/8" NPSF	Not illustrated, Also see section 40.15	Up to Engine No:18K4 FJ, 633934	A111E6099S	1
04	Oil pressure switch, Parallel thread, M12 x 1.5mm	Not illustrated, Also see section 40.15	From Engine No: 18K4FJ31. 633935	A111E6179S	1

ELISE

Issued: 06-Nov-98

Function Code: 17.07, Page: 1



ELISE
17.07

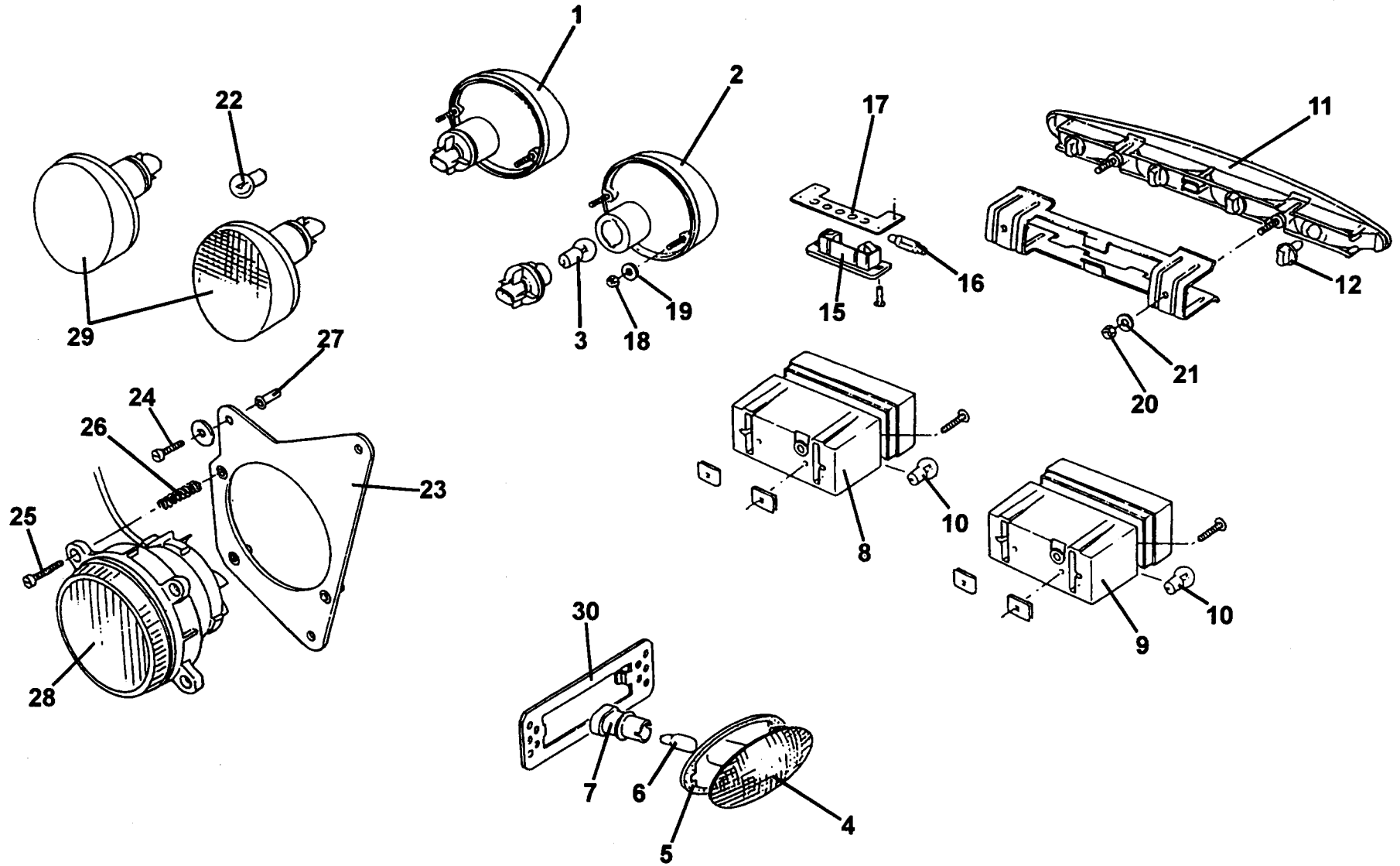
Service Parts List *ELISE*



Function Code 17.11 Exterior Lamps, Except Headlamps

<u>Dep</u>	<u>Part Description</u>	<u>Remarks</u>	<u>Option</u>	<u>Part Number</u>	<u>Qty</u>
01	Lamp, direction indicator rear			A111M0010F	2
02	Lamp, stop/tail			A111M0009F	2
03	Bulb 12v 5/21w	Stop / tail lamps		A036M6331F	2
04	Lens, side repeater			A111M6048F	2
05	Gasket, side repeater			A111U0074F	2
06	Bulb 12v 5w, side repeater			A082M6342F	2
07	Bulb Holder, side repeater			A111M6009F	2
08	Lamp, rear fog (high intensity)			A111M6004F	1
09	Lamp, reverse		Malaysia spec is two (2) lamps	A111M6003F	1
10	Bulb, 12v 21w	Fog / reverse lamp		A111M6012F	2
11	Lamp, CHMSL			A111M6006F	1
12	Bulb 12v 5w, CHMSL			A082M6342F	4
13	Bracket, CMHSL			A111M6034F	1
15	Lamp, number plate			A111M6002F	2
16	Bulb 12v 5w	No. plate lamp		A083M6292F	2
17	Mounting Plate, number plate lamp	Bonded into body		A111M0048F	2
18	Nut, M4 nyloc	Stop / tail & indicator lamps		A075W3019F	12
19	Washer, flat, M4	Stop / tail & indicator lamps		A082W4099F	12

ELISE



ELISE

17.11

Function Code 17.11 Exterior Lamps, Except Headlamps

<u>Dep</u>	<u>Part Description</u>	<u>Remarks</u>	<u>Option</u>	<u>Part Number</u>	<u>Qty</u>
20	Nut, M8, nyloc	CMHSL mount		A075W3010Z	2
21	Washer, M8	CMHSL mount		A075W4020Z	2
22	Bulb 12v 21w	Indicators		A036M6329F	4
23	Plate, driving lamp mounting, LH			A111B0051F	1
23a	Plate, driving lamp mounting, RH	Not Illustrated		A111B0050F	1
24	Screw, M8 x 25, cheese hd., plate to intake			A082W6530F	6
25	Screw, M8 x 40, cheese hd., driving lamp to plate			A082W6531F	6
26	Spring, driving lamp mounting			A111B6004F	6
27	Rivnut, M8, driving lamp to intake			A075W6155F	6
28	Driving Lamp			A111M6008F	2
29	Lamp, indicator front			A111M0008F	2
30	Mounting Bracket, side repeater	Bonded into body		A111U0073F	2
31	Reflector	Not illustrated		A111M6005F	2

ELSE

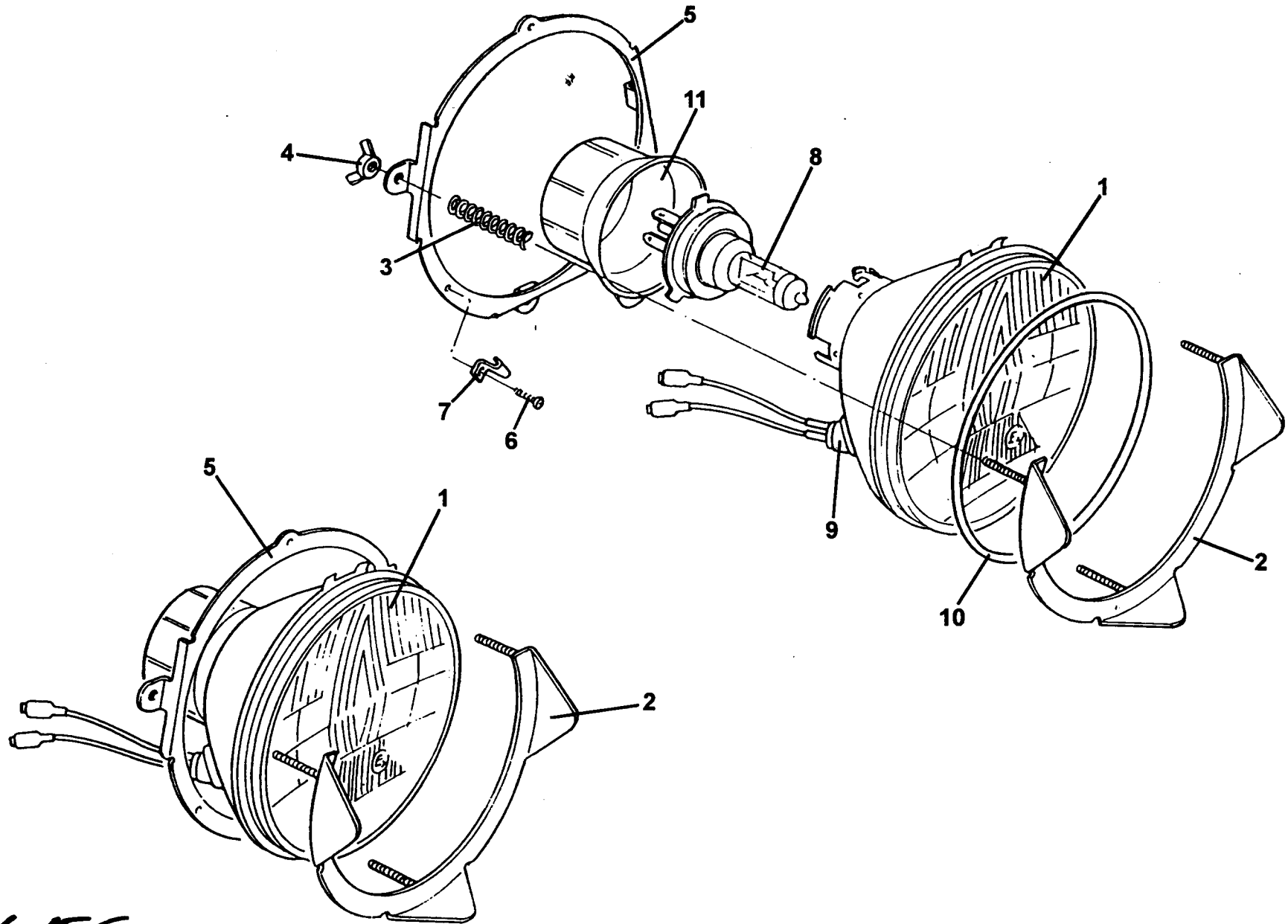
Service Parts List *ELISE*



Function Code 17.13 Headlamps.

<u>Dep</u>	<u>Part Description</u>	<u>Remarks</u>	<u>Option</u>	<u>Part Number</u>	<u>Qty</u>
01	Headlamp, RHD			A085M6215F	2
01a	Headlamp, LHD			A082M6320F	2
02	Bracket, headlamp mounting	Bonded to body		A111B0052F	2
03	Spring	Headlamp to bracket		A111B6005F	6
04	Wingnut M5 (Nylon)			A111W3146F	6
05	Plate, headlamp adjustment			A111B0053F	2
06	Clip, headlamp retainer			A111B0054F	6
07	Screw, clip to plate			A075W5011Z	6
08	Bulb, headlamp 12v 55/60w			A075M6126Z	2
09	Bulb, sidelamp 12v 5w			A111M6010F	2
10	Seal, headlamp	Supplied with item 01		A111U0166K	2
11	Rubber Cover, headlamp connections	Supplied with item 01		A111M6036F	2

ELISE



ELISE
17.13

Service Parts List *ELISE*

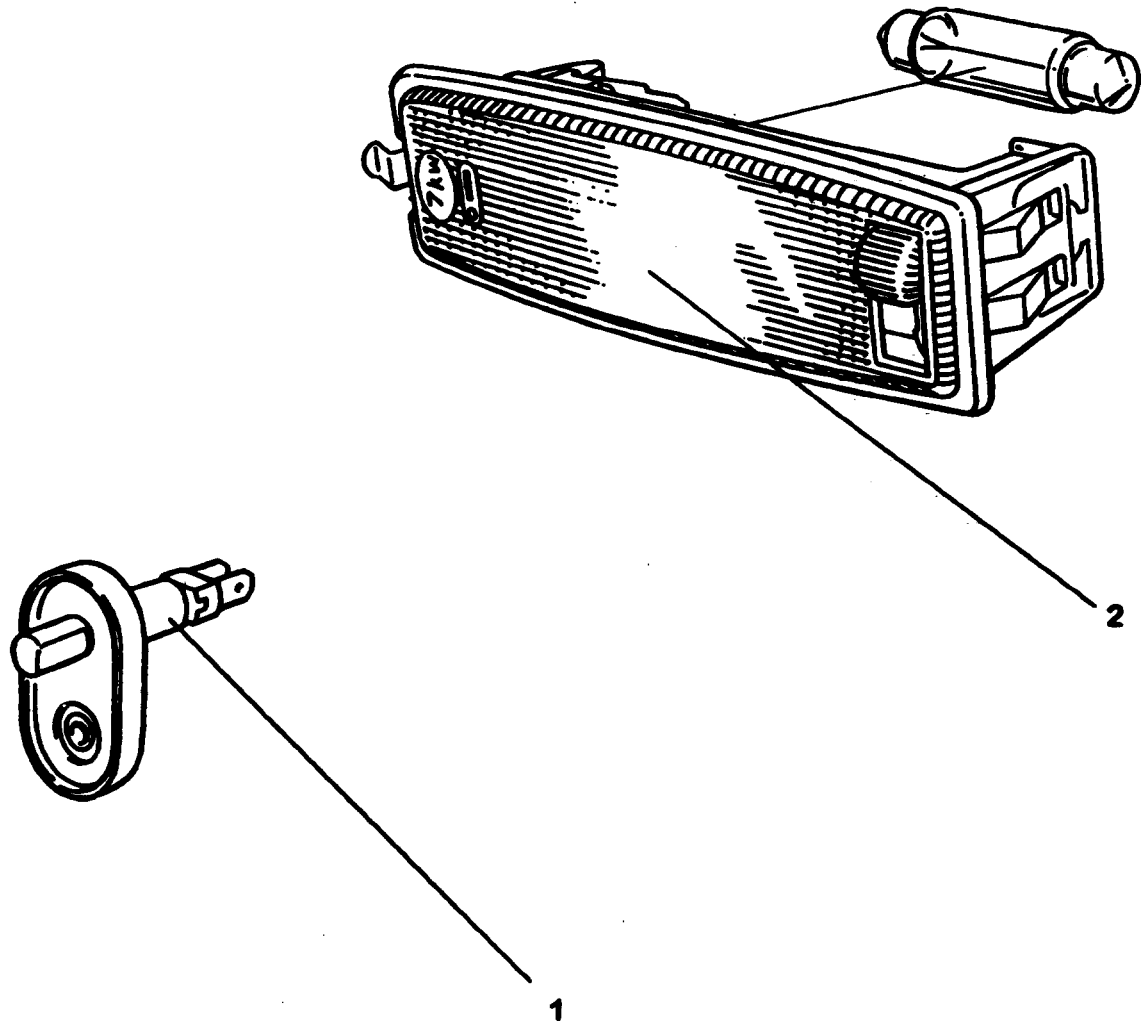


Function Code 17.17 Interior Lamps

<u>Dep</u>	<u>Part Description</u>	<u>Remarks</u>	<u>Option</u>	<u>Part Number</u>	<u>Qty</u>
01	Switch, door	Passenger side for alarm, see 17.33		A111M6035F	2
02	Interior Lamp			A111M6019F	1
	Spire Nut			A111W6588F	2
	Screw No. 6 x 3/4 flange hd., pozi.			A075W5028Z	2

ELISE

1999 / 01



ELISE
17.17

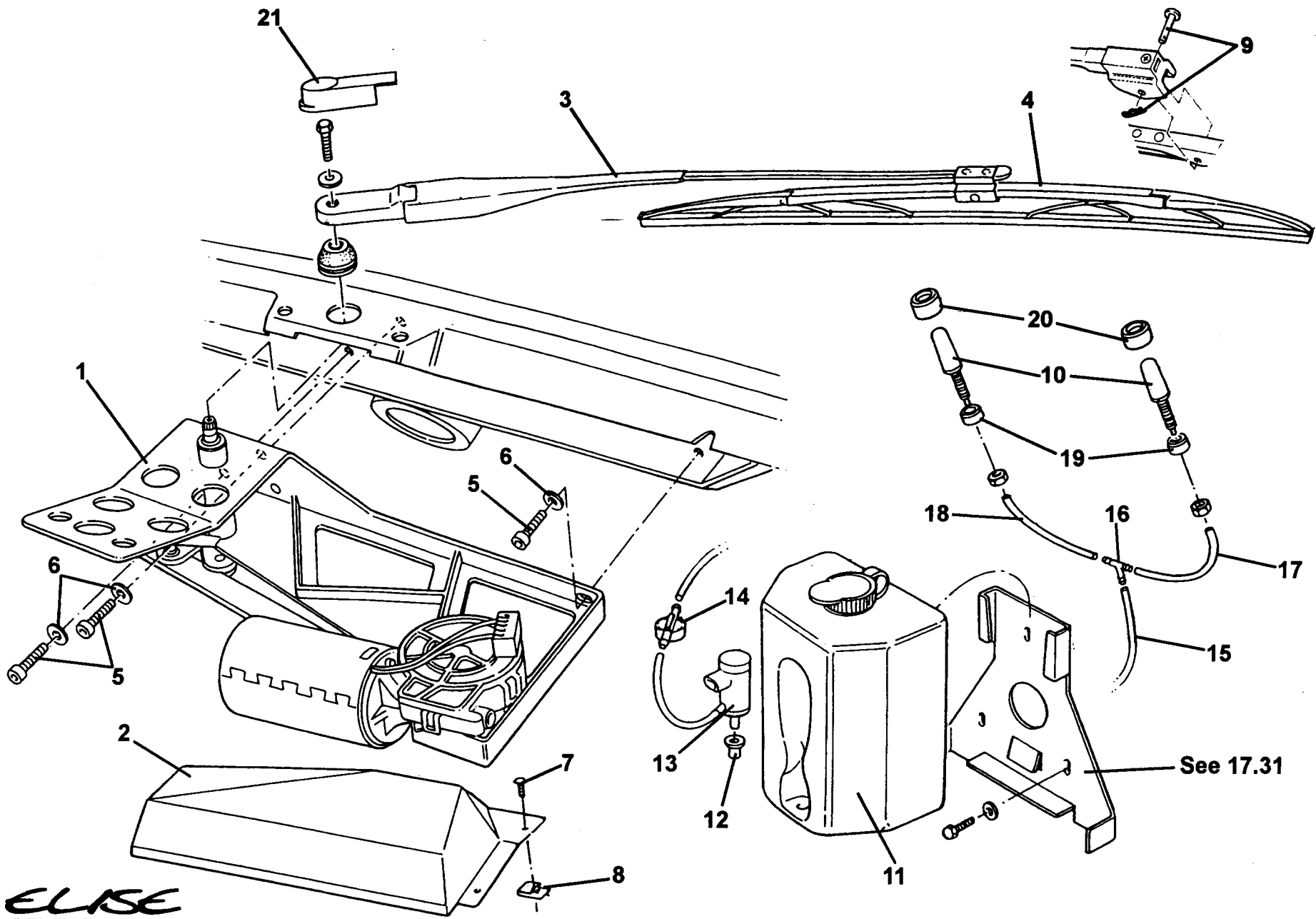
Service Parts List *ELISE*



Function Code 17.21 Front Windscreen - Wiper motor, Wipers & Washers etc.

<u>Dep</u>	<u>Part Description</u>	<u>Remarks</u>	<u>Option</u>	<u>Part Number</u>	<u>Qty</u>
01	Wiper Drive Assembly, RHD			C111M0034F	1
01a	Wiper Drive Assembly, LHD			B111M0033F	1
02	Cover, wiper motor, RHD			A111U0172K	1
02a	Cover, wiper motor, LHD			A111U0173K	1
03	Wiper Arm Assembly			C111M0049F	1
04	Wiper Blade Assembly, 24"			A111M6031F	1
05	Screw, M8 x 20, cap hd., bracket to scuttle			A111W7141F	3
06	Washer, M8, spring S/C light			A075W4036Z	3
07	Screw, No.10 x 1/2", pozi., cover fix.			A075W5040Z	2
08	Spire nut No 8, cover, wiper motor fix.			A075W6016Z	2
09	Pin and Clip Set, wiper blade to arm			A111M6107S	1
10	Windscreen Washer Jet			A082M6369F	2
11	Washer Bottle and Pump Assembly			A111M6029F	1
12	Rubber Bush, pump retaining			TBA	1
13	Washer Pump			A111M6047S	1
14	Non Return Valve, washer fluid			A100M6062H	1
15	Hose, bottle to 'T' piece			B111M0054K	1
16	'T' piece, washers			A111M6045K	1

ELISE



ELISE
17.21

Function Code 17.21 Windscreen Wiper Motor, Wipers & Washers

<u>Dep</u>	<u>Part Description</u>	<u>Remarks</u>	<u>Option</u>	<u>Part Number</u>	<u>Qty</u>
17	Tube, 'T' piece to jet			B111M0056K	1
18	Tube, 'T' piece to jet			B111M0055K	1
19	Spacer, washer jet			A111M6046K	2
20	Sleeve, washer jet	Bonded over Jet & Spacer		A111M0065F	1
21	Pivot Cover, wiper arm			A082M6380F	1

ELISE

1999 / 01

Service Parts List *ELISE*



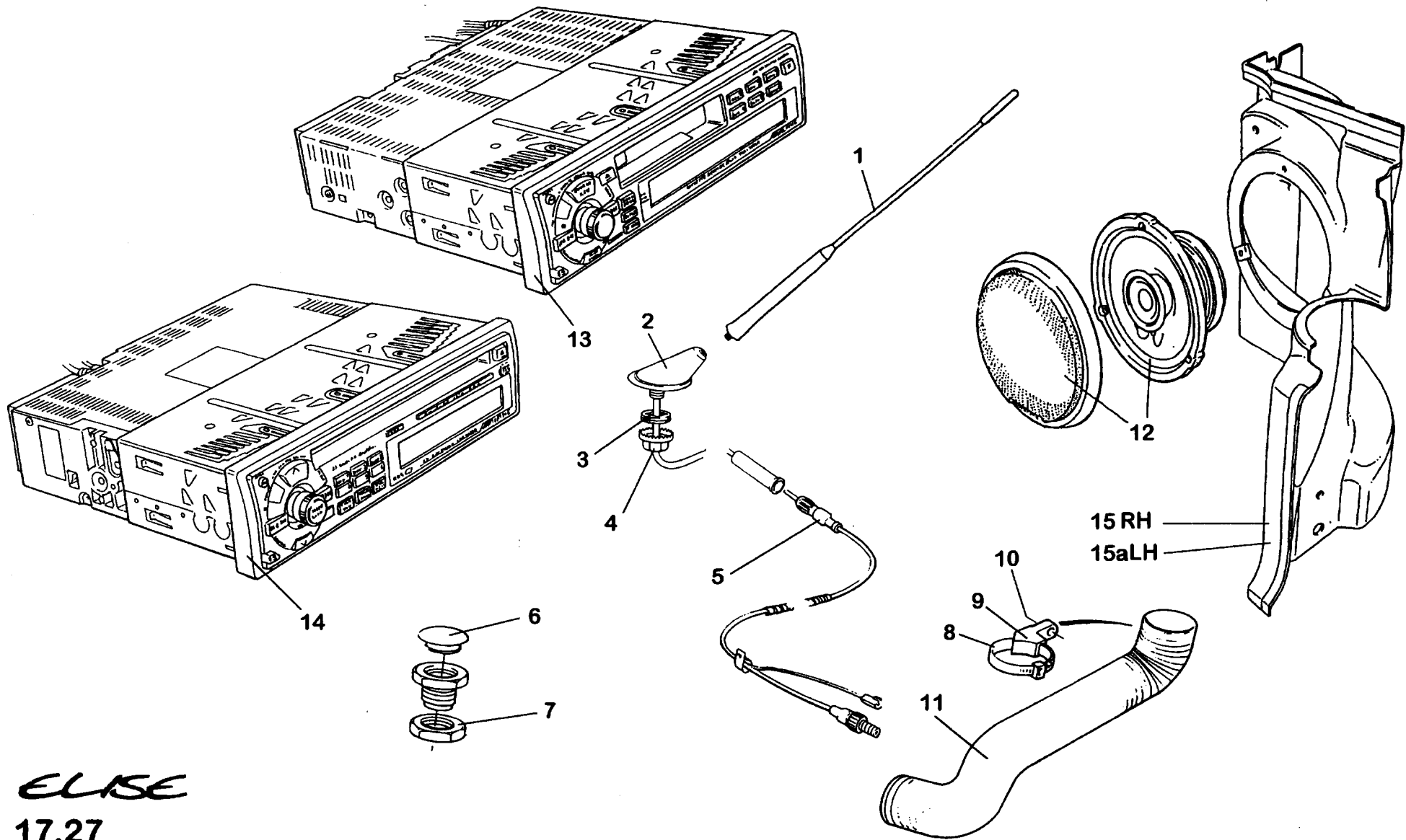
Function Code 17.27 In Car Entertainment.

<u>Dep</u>	<u>Part Description</u>	<u>Remarks</u>	<u>Option</u>	<u>Part Number</u>	<u>Qty</u>
01	Aerial Mast			A082M6533F	1
02	Aerial Base			A082M6534F	1
03	Rubber Washer, mounting nut			A111M6033F	1
04	Nut, aerial base to engine cover			A082M6555F	1
05	Cable, aerial co-axial extension			A111M0024F	1
06	Blanking Plug	When aerial not fitted		A111B6037F	1
07	Nut, blanking plug	When aerial not fitted		A111B6038F	1
08	Tie Wrap, aerial lead heatshield			A075W6038Z	2
09	Cradle, tie wrap, aerial co-ax. heatshield			A085W6276F	2
10	Pop Rivet, tie wrap cradle retention			A082W6259Z	2
11	Heatshield, aerial lead			A082H4076K	1
12	Speaker Kit, Alpine SPE 1620			A111M6052F	1
13	Radio/Cassette			A082M6627F	1
14	Radio/CD Player			A082M6631F	1
15	Trim Panel/Speaker Housing, RH			B111V0052K	1
15a	Trim Panel/Speaker Housing, LH			B111V0053V	1

ELISE

Issued: 09-Nov-98

Function Code: 17.27, Page: 1



ELISE
 17.27

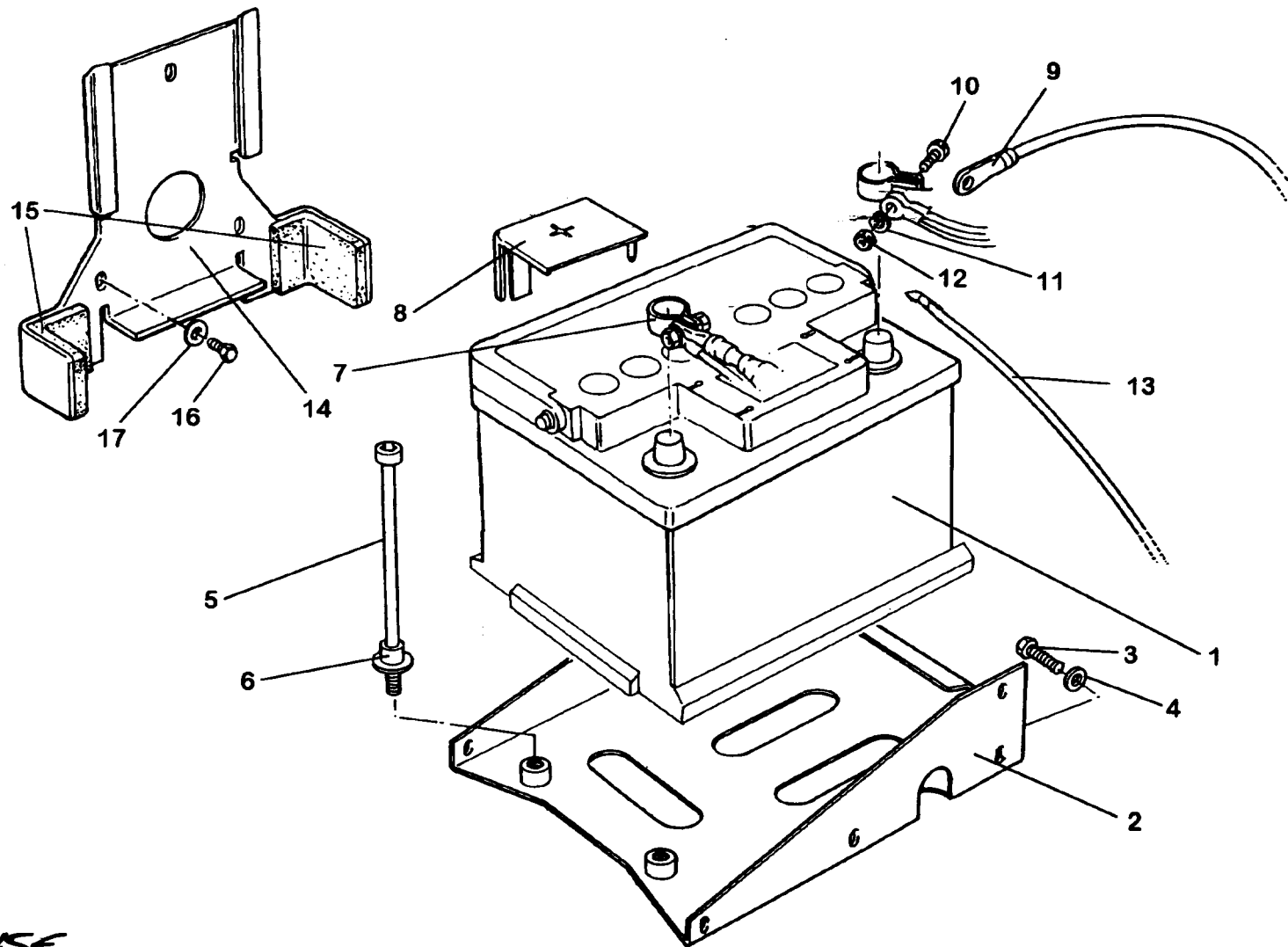
Service Parts List *ELISE*



Function Code 17.31 Battery, Clamps

<u>Dep</u>	<u>Part Description</u>	<u>Remarks</u>	<u>Option</u>	<u>Part Number</u>	<u>Qty</u>
01	Standard Battery, Tungstone 063			A111M6007F	1
01a	Competition Battery		MOTORSPORT	A111M6078S	1
01b	Battery Master switch	Not illustrated	MOTORSPORT	A111M6081S	2
01c	Battery Cover	Not illustrated	MOTORSPORT	A111M0107K	1
02	Battery Tray		AC cars only	A111M0079F	1
03	Setscrew, M6 x 20, hex. hd., battery tray to chassis		AC cars only	A111W1155Z	8
04	Washer, flat, M 6 x 12 .1 x 1.4		AC cars only	A075W4013Z	8
05	Clamp Bolt Assembly, battery to tray		AC cars only	B111M0094J	1
06	Cone, battery clamp bolt	Part of item 5	AC cars only	B111M0095J	
07	Battery Cable, VE Front RHD			A111M0019F	1
07a	Battery Cable, VE Front LHD			A111M0015F	1
07b	Battery Cable, NEG front, RHD		AC cars only	A111M0089F	1
08	Protective Cover, positive terminal			A111M6079F	1
09	Battery Cable + VE			B111M0014F	1
10	Setscrew, hex. hd., cable to battery fixing			TBA	2
11	Washer, flat			TBA	2
12	Nut			TBA	2
13	Vent, battery fumes			A111M0104K	1

ELISE



ELISE
17.31

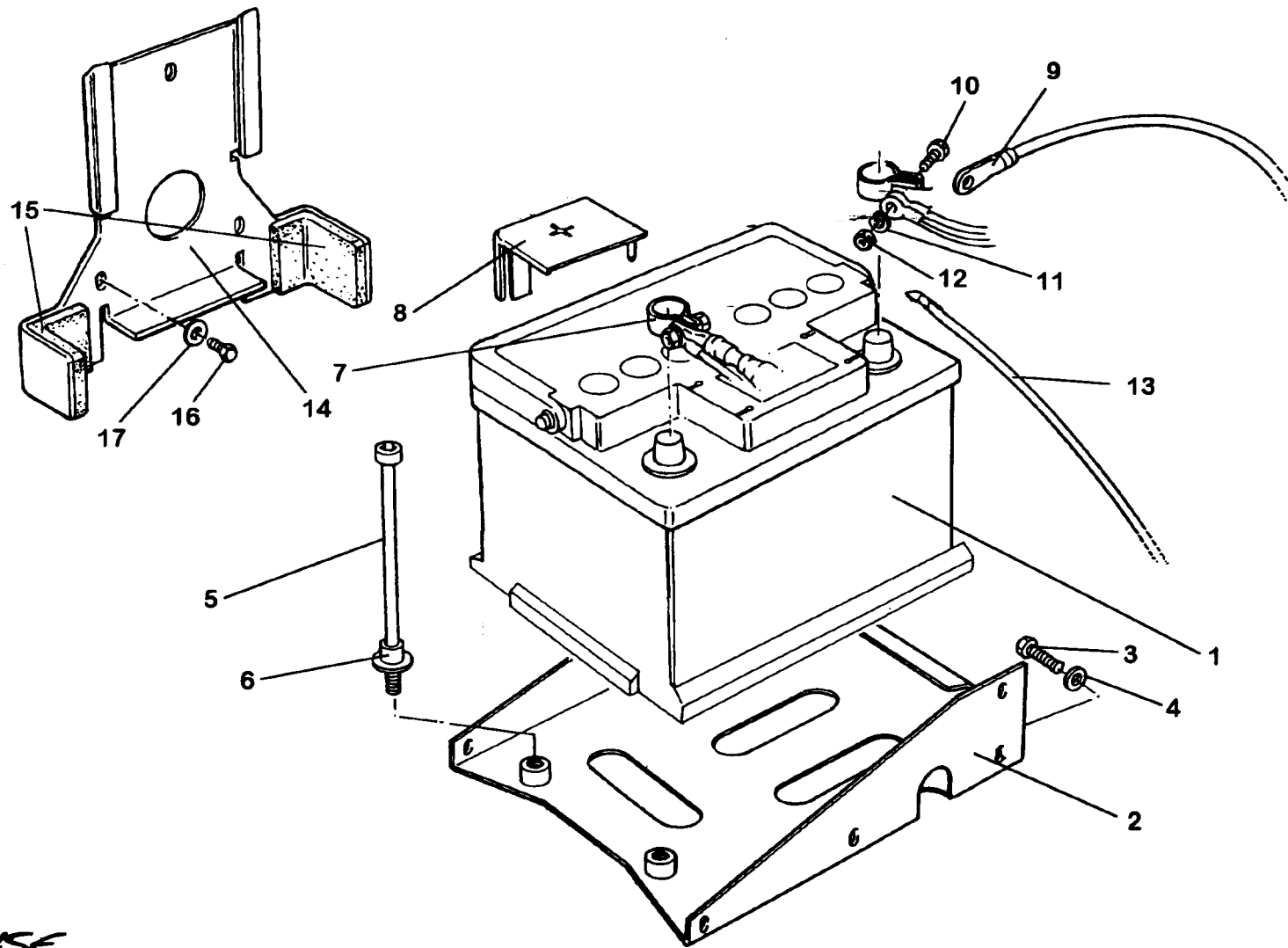
Service Parts List *ELISE*



Function Code 17.31 Battery, Clamps

<u>Dep</u>	<u>Part Description</u>	<u>Remarks</u>	<u>Option</u>	<u>Part Number</u>	<u>Qty</u>
01	Standard Battery, Tungstone 063			A111M6007F	1
01a	Competition Battery		MOTORSPORT	A111M6078S	1
01b	Battery Master switch	Not illustrated	MOTORSPORT	A111M6081S	2
01c	Battery Cover	Not illustrated	MOTORSPORT	A111M0107K	1
02	Battery Tray		AC cars only	A111M0079F	1
03	Setscrew, M6 x 20, hex. hd., battery tray to chassis		AC cars only	A111W1155Z	8
04	Washer, flat, M 6 x 12 .1 x 1.4		AC cars only	A075W4013Z	8
05	Clamp Bolt Assembly, battery to tray		AC cars only	B111M0094J	1
06	Cone, battery clamp bolt	Part of item 5	AC cars only	B111M0095J	
07	Battery Cable, VE Front RHD			A111M0019F	1
07a	Battery Cable, VE Front LHD			A111M0015F	1
07b	Battery Cable, NEG front, RHD		AC cars only	A111M0089F	1
08	Protective Cover, positive terminal			A111M6079F	1
09	Battery Cable + VE			B111M0014F	1
10	Setscrew, hex. hd., cable to battery fixing			TBA	2
11	Washer, flat			TBA	2
12	Nut			TBA	2
13	Vent, battery fumes			A111M0104K	1

ELISE



ELISE
17.31

Function Code 17.31 Battery, Clamps

<u>Dep</u>	<u>Part Description</u>	<u>Remarks</u>	<u>Option</u>	<u>Part Number</u>	<u>Qty</u>
14	Battery Clamp/ Washer Bottle Bracket			C111M0025F	1
15	Foam Seal, battery clamp			A082U6067F	140mm
16	Setscrew, M6 x 16, hex. hd., battery clamp to chassis			A075W1028Z	2
17	Washer, M6 x 18 , battery clamp to chassis			B082W4018F	3
18	Washer, spring, M6, battery clamp to chassis			A075W4035Z	2
19	Battery Isolator Switch Kit	Not illustrated	Prior to revised Harness MOTORSPORT	A111M0128S	1
20	Battery Isolator Switch Kit	Not illustrated	With revised Harness MOTORSPORT	A111M0129S	1
21	Battery Clamp Bracket Assembly		MOTORSPORT	A111M0076S	1
22	Battery Locator Bracket		MOTORSPORT	A111M0077S	1

ELISE

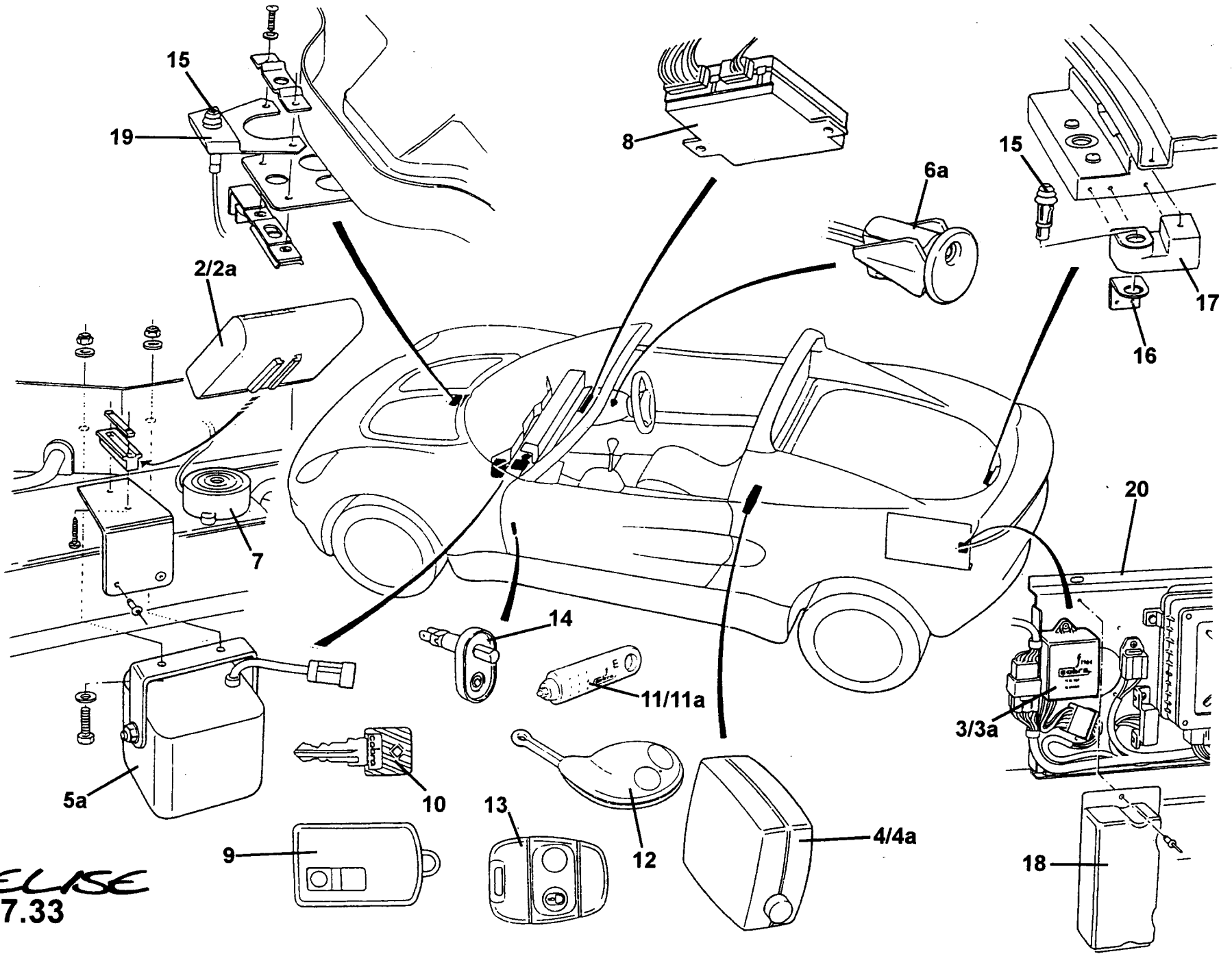
Service Parts List *ELISE*



Function Code 17.33 Security Alarm System

<u>Dep</u>	<u>Part Description</u>	<u>Remarks</u>	<u>Option</u>	<u>Part Number</u>	<u>Qty</u>
01	Cobra Alarm Kit, 6019HF	Not illustrated	Prior to VIN: 1947 - 1937/8	A111M0053F	1
01a	Cobra Alarm Kit, 6422HF	Not illustrated	From VIN: 1947 + 1937/8	A111M0098F	1
02	Alarm Controller, Cobra 6019, with keys	Needs matching to immobiliser	Prior to VIN: 1947 - 1937/8	A111M6041S	1
02a	Alarm Controller, Cobra 6422, with keys	Includes immobiliser	From VIN: 1947 + 1937/8	A111M6119S	1
03	Immobiliser Module, Cobra 6019	Controller switches need matching to immobiliser	Prior to VIN: 1947 - 1937/8	A111M6043S	1
04	Microwave Sensor, Cobra 6019		Prior to VIN: 1947 - 1937/8	A111M6044S	1
04a	Microwave Sensor, Cobra 6422		From VIN: 1947 + 1937/8	A111M6099S	1
05	Siren Unit, Cobra 6019, includes override switch	Not illustrated	Prior to VIN: 1947 - 1937/8	A111M6042S	1
05a	Siren Unit, Cobra 6422		From VIN: 1947 + 1937/8	A111M6098S	1
06	Touch Key Receptacle, Cobra 6019	Not illustrated	Prior to VIN: 1947 - 1937/8	A111M6061S	1
06a	Touch Key Receptacle, Cobra 6422		From VIN: 1947 + 1937/8	A111M6102S	1
07	Buzzer Unit, Cobra 6019		Prior to VIN: 1947 - 1937/8	A111M6062S	1
08	Alarm Module, Lucas 5AS 433Mhz Germany		Without Cobra system	A111M0046K	1
08a	Alarm Module, Lucas 5AS 433Mhz UK/ Europe		Without Cobra system	A111M0043K	1
08b	Alarm Module, Lucas 5AS 433Mhz UK/ Europe		With Cobra system	A111M0074K	1
08c	Alarm Module, Lucas 5AS 315Mhz Japan		Without Cobra system	A111M0047K	1
08d	Alarm Module, Lucas 5AS 433Mhz Switzerland		Without Cobra system	A111M0045K	1
08e	Alarm Module, Lucas 5AS 433Mhz Holland		Without Cobra system	A111M0044K	1

ELISE



ELISE
17.33

Function Code 17.33 Security Alarm System

<u>Dep</u>	<u>Part Description</u>	<u>Remarks</u>	<u>Option</u>	<u>Part Number</u>	<u>Qty</u>
09	Transmitter Key, Cobra 6019		Prior to VIN: 1947 + 1937/8	A111M6038S	1
10	Siren Override Key, Cobra 6019		Prior to VIN: 1947 + 1937/8	A111M6040S	1
11	Touch Key, Cobra 6019		Prior to VIN: 1947 + 1937/8	A111M6039S	1
11a	Touch Key, Cobra 6422		From VIN: 1947 + 1937/8	A111M6101S	1
12	Transmitter Key, Cobra 6422		From VIN: 1947 + 1937/8	A111M6100S	1
13	Transmitter key, Lucas			A111M6063S	1
14	Microswitch, alarm activator, doors			A111M6035F	1
15	Microswitch, alarm activator, bonnet and engine cover			A111M6037F	2
16	Bracket, engine cover microswitch			A111M0051F	1
17	Cover, microswitch bracket			A111M0057K	1
18	Cover, immobiliser module	Cobra 6019/6422		A111M0064K	1
18a	Cover, immobiliser module	Cobra 6422	Boot-box cars	B111M0064K	1
19	Bracket, bonnet microswitch			A111M0052F	1
20	Plate, electronics mounting		RHD '98 M.Y.	D111M0026F	1
21	Harness, Cobra alarm kit, 6019	Not illustrated	Prior to VIN: 1947 + 1937/8	C111M0050F	1
21a	Harness, Cobra alarm kit, 6422HF	Not illustrated	From VIN: 1947 + 1937/8	D111M0050F	1
22	Connector Lead, microwave to controller, Cobra 6019/6422	Not illustrated		A111M6114S	1

ELISE

Service Parts List *ELISE*



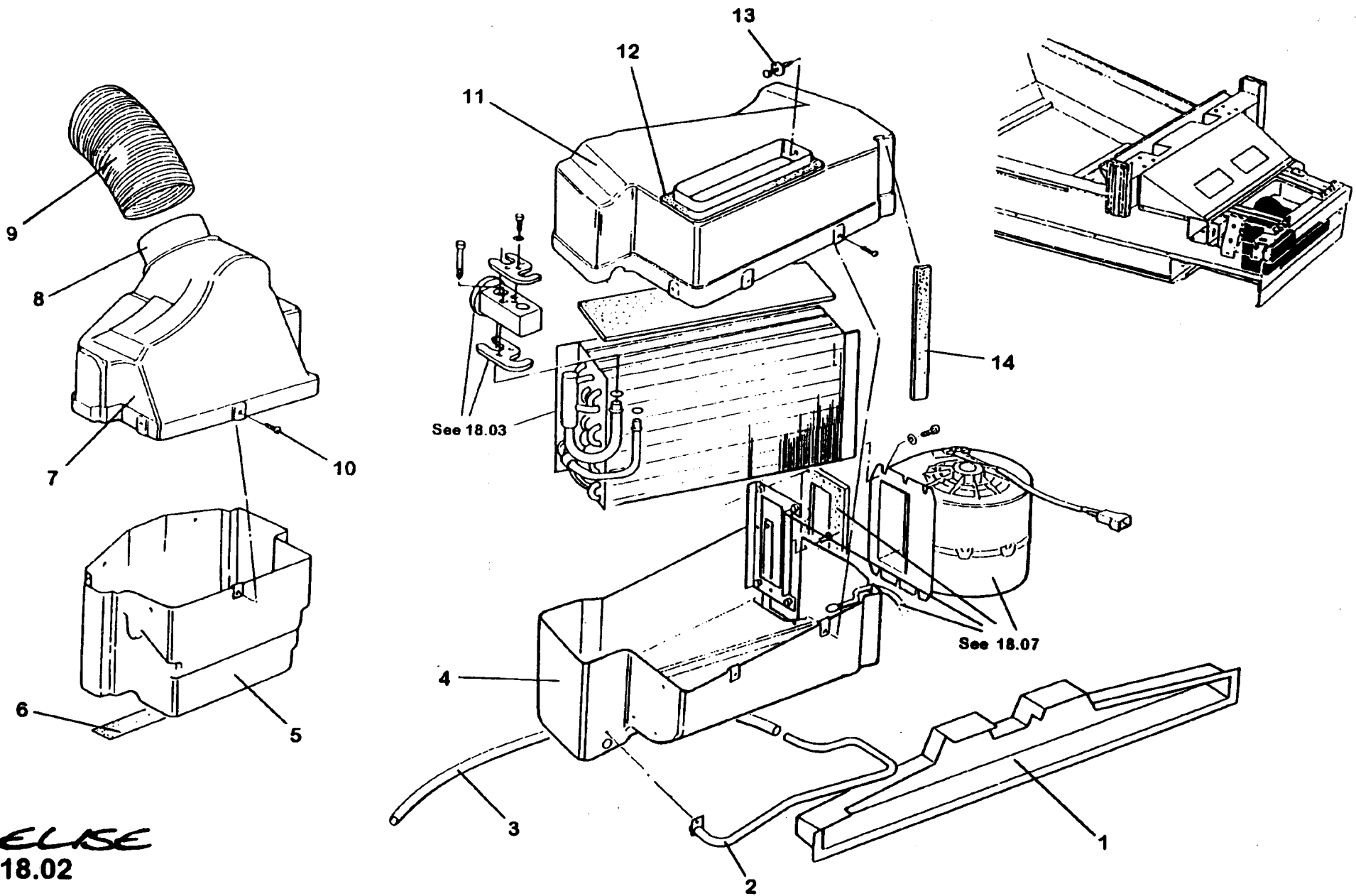
Function Code 18.02 H.V.A.C. - A.C.U. Housings

<u>Dep</u>	<u>Part Description</u>	<u>Remarks</u>	<u>Option</u>	<u>Part Number</u>	<u>Qty</u>
01	Air inlet baffle, RHD		A.c.u. & Heater	A111P0098K	1
02	Drain pipe assembly		Condensate drain	B111P0157F	1
03	Drain tube - ½" ID		Condensate drain	A111K6010V	1
04	Evaporator box, lower		A.c.u. & Heater	A111P0092K	1
04a	Evaporator box, lower		A.c.u. only	A111P0246K	1
05	Heater housing lower, RH		A.c.u. only	A111P0104K	1
06	Double sided tape, (0.25 mm width)		Heater > Evap box fixing	B075U6070V	A/R
07	Heater housing upper, RH		A.c.u. only	A111P0102K	1
08	Adaptor spigot, heater box		A.c.u. & Heater	A111P0208K	1
09	Ducting tube, aluminium finish		A.c.u. & Heater	A111P0226F	1
10	Screw, pozi, No 6 x ½"	Heater fixings		A075W5012F	5
11	Heater housing upper, RH		A.c.u. only	A111P0102K	1
12	Foam strip seal, self adhesive, Heater > Evap box fixing		A.c.u. & Heater	A111P0213K	A/R
13	Fastener, plastic, Heater > Evap box fixing		A.c.u. & Heater	A111W6534F	1
14	Foam strip seal, 25 mm x 12.5 mm		A.c.u. & Heater	A111P0173K	1
	Base , plenum, lower	Not illustrated		B111P0008K	1

ELISE

Issued: 03-Aug-98

Function Code: 18.02, Page: 1



ELISE
 18.02

Service Parts List *ELISE*



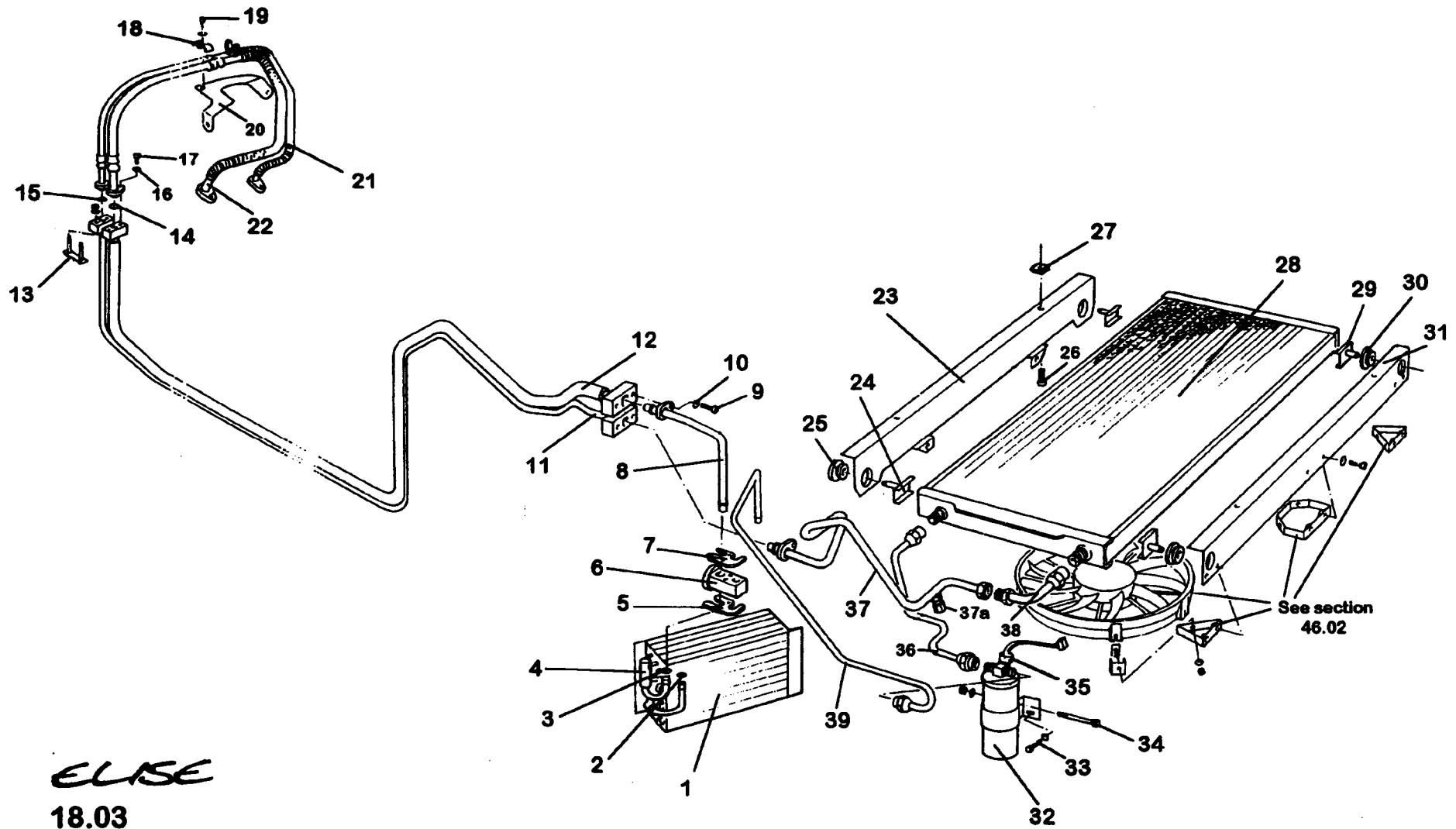
Function Code 18.03 Condenser, Evaporator, Receiver Drier, Pipes, Hoses etc.

<u>Dep</u>	<u>Part Description</u>	<u>Remarks</u>	<u>Option</u>	<u>Part Number</u>	<u>Qty</u>
01	Evaporator			B111P0076F	1
02	'O' ring, No 8, expansion valve			A082P6079F	1
03	'O' ring, No 10, expansion valve			A082P6080F	1
04	Tape - non drip			A075P6086F	0.500m
05	Clamp plate, evaporator to expansion valve			A082P4401F	1
06	Expansion valve			A111P6048F	1
07	Clamp plate, pipes to expansion valve			A082P4401F	1
08	Suction pipe, pipe joint retaining			A111P0137F	1
09	Screw, M6 x 25 mm, suction pipe fix			A111W7170F	2
10	Washer, spring, M6			A075W4035Z	2
11	Refrigerant pipe, high pressure, rear to front			A111P0150F	1
12	Refrigerant pipe, suction line, front to rear			A111P0149F	1
13	Stud plate, a.c. pipe joint			A111P0151F	1
14	'O' ring, High pressure line joints			A111P6019F	3
15	'O' ring, compressor, suction line joints			A111P6018F	3
16	Washer, spring, M6			A075W4035Z	2
17	Screw, M6 x 25 mm, pipe joint retaining			A111W7170F	2
18	Clamp plate, compressor pipes			A111P0117F	1

ELISE

Issued: 03-Aug-98

Function Code: 18.03, Page: 1



ELISE
18.03

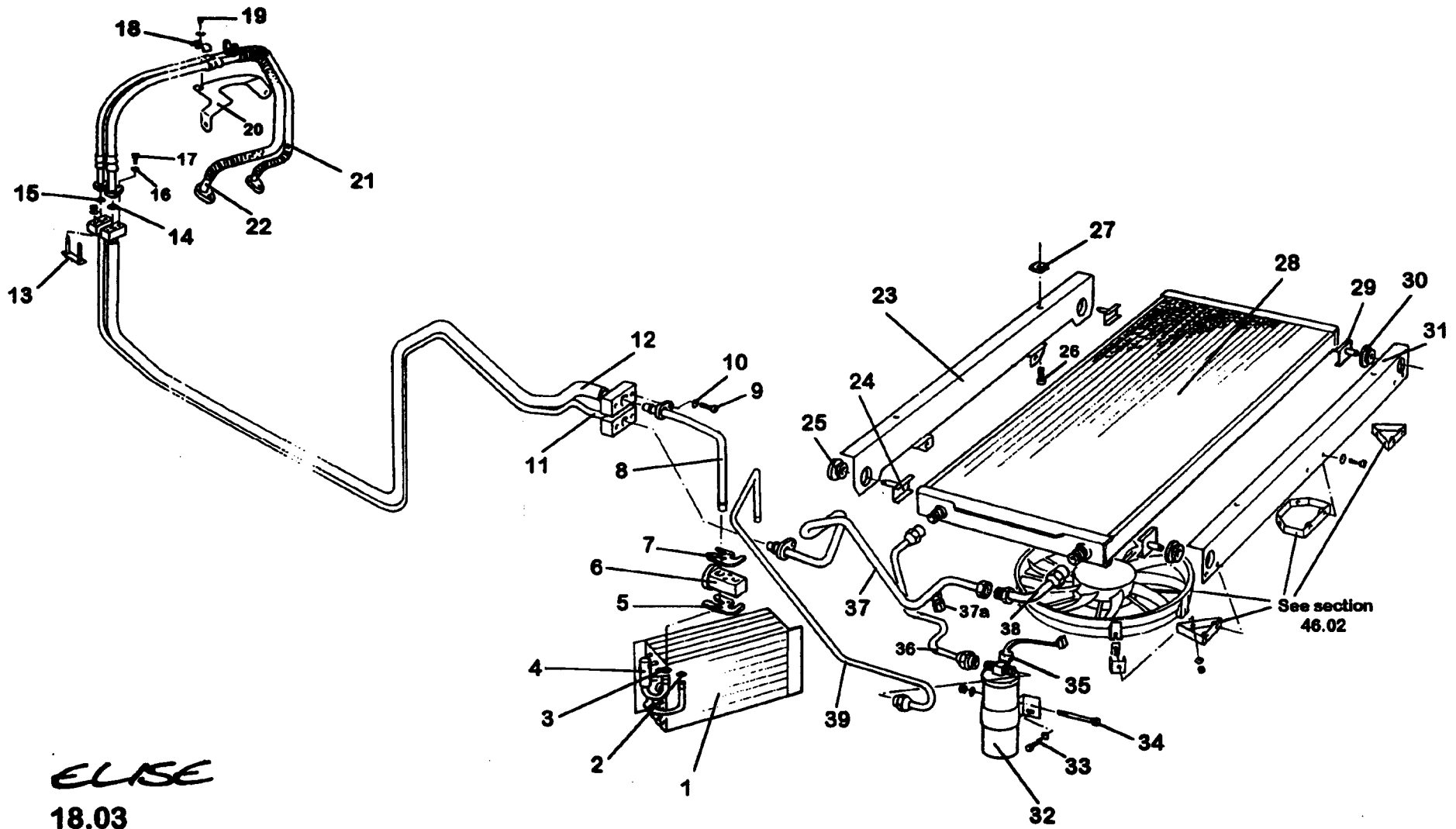
Function Code 18.03 Condenser, Evaporator, Receiver Drier, Pipes, Hoses etc.

<u>Dep</u>	<u>Part Description</u>	<u>Remarks</u>	<u>Option</u>	<u>Part Number</u>	<u>Qty</u>
19	Setscrew, M5 x 30 mm, clamp plate joining			A079W1084F	1
20	Steady bracket, compressor pipes			A111P0119F	1
21	Pipe/Hose assembly, compressor discharge			A111P0131F	1
22	Pipe/Hose assembly, compressor suction			A111P0132F	1
23	Frame, condenser mounting, rear			A111P0084F	1
24	Spigot, condenser mounting			A111P0129F	2
25	Grommet, condenser mounting			A111P6022F	2
26	Screw, M6 x 12 mm, condenser frame to radiator			A111E6007F	4
27	Cage nut, M6, condenser frame fixing			A100W6362F	4
28	Condenser assembly			A111P6035F	1
29	Spigot, condenser mounting			A111P0129F	2
30	Grommet, condenser mounting			A111P6022F	2
31	Frame, condenser mounting, front			A111P0085F	1
32	Receiver drier			A082P4378F	1
32a	Clamp, receiver drier mounting			A111P0116F	1
33	Setscrew, M6 x 20 mm, clamp to body			A075W1030Z	2
34	Setscrew, M6 x 30 mm, receiver drier clamping			A075W1032Z	1
35	Trianary switch, receiver drier			A082P6075F	1
36	Refrigerant pipe to receiver drier			A111P0135F	1
37	Refrigerant pipe rear/front pipe to condenser inlet elbow			B111P0134F	1
37a	Elbow pipe, condenser inlet			A111P6030H	1

ELISE

Issued: 03-Aug-98

Function Code: 18.03, Page: 2



ELISE
18.03

Function Code 18.03 Condenser, Evaporator, Receiver Drier, Pipes, Hoses etc.

<u>Dep</u>	<u>Part Description</u>	<u>Remarks</u>	<u>Option</u>	<u>Part Number</u>	<u>Qty</u>
38	Angle pipe. condenser			A111P0242F	1
39	Refrigerant pipe, receiver drier to expansion valve			A111P0136F	1
	Grommet, FLV thro' bulkhead, LHS	Not illustrated		A111P6047F	1

ELISE

Issued: 03-Aug-98

Function Code: 18.03, Page: 3

Service Parts List *ELISE*



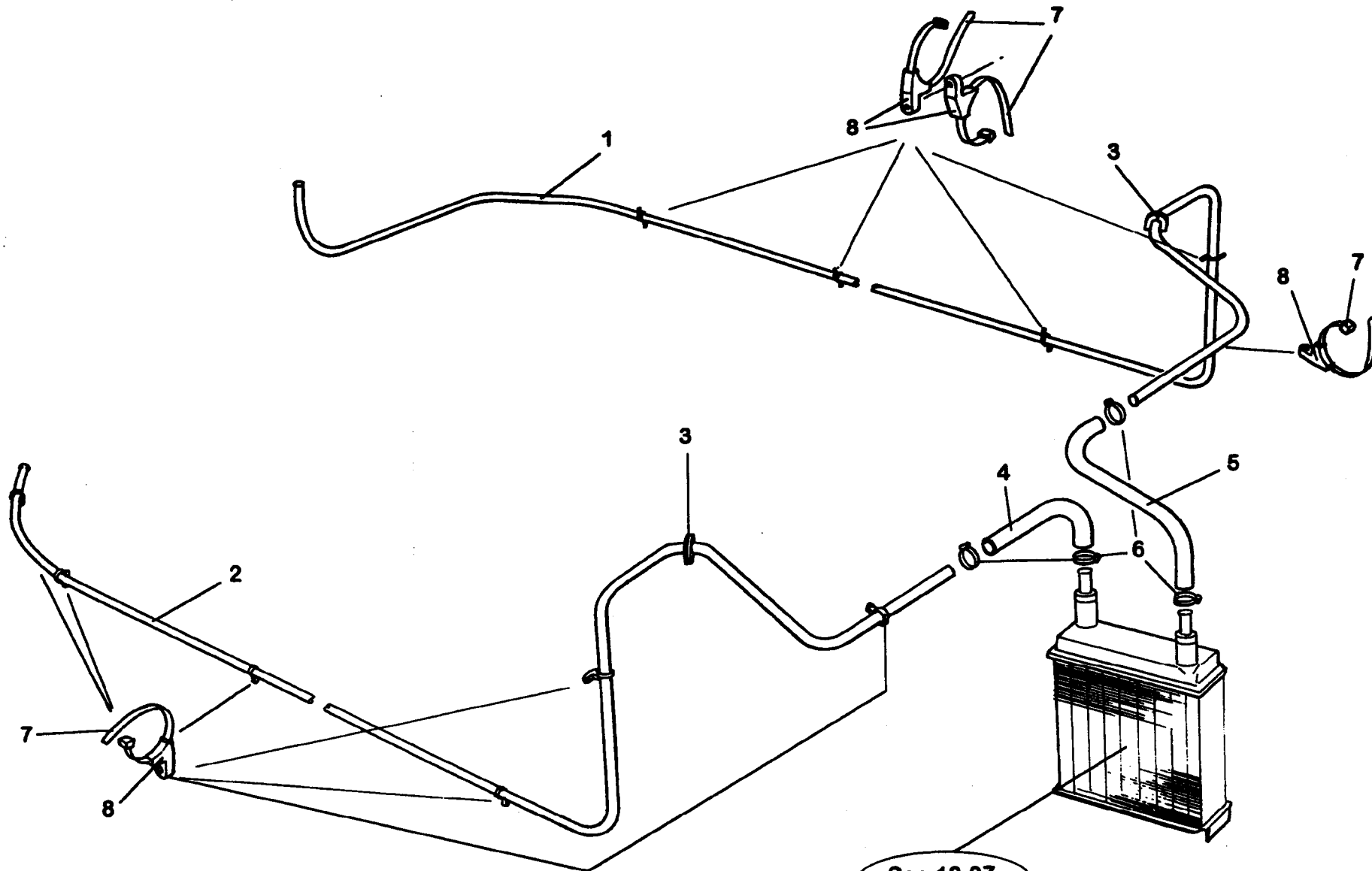
Function Code 18.05 Water Valve, Pipes, hoses, clips, etc.

<u>Dep</u>	<u>Part Description</u>	<u>Remarks</u>	<u>Option</u>	<u>Part Number</u>	<u>Qty</u>
01	Pipe - Forward End to Engine Bay LHS Heater			B111P0001F	1
02	Pipe - Forward End to Engine Bay RHS Heater			B111P0002F	1
03	Grommet - Heater Pipes	To Front Baffle		A111P0003K	2
04	Hose - Heater Inlet RHD			A111P0058F	1
04a	Hose - Heater Inlet LHD			A111P0057F	1
05	Hose - Heater Outlet RHD			A111P0056F	1
05a	Hose - Heater Outlet LHD			A111P0055F	1
06	Clip - Hose			A079K6018Z	4
07	Swivel Clip - Tie Wrap	Heater Pipe to Chassis		A082W6324F	14
08	Tie Wrap Cradle	Pipes to Chassis		A085W6276F	14
	Duct - flexible	Not Illustrated		A111P0020	1
	Blind Rivet	Saddle Clamp / Chassis		A085W6259F	4
	Blind Rivet	Saddle Clamp / Chassis		A111W6613F	6
	Blind Rivet	Saddle Clamp (Double) Chassis		A111W6614F	4
	Hose, heater inlet (aircon)			A111P0077F	1
	Hose, heater outlet (aircon)			A111P0078F	1

ELISE

Issued: 03-Aug-98

Function Code: 18.05, Page: 1



ELSE
18.05

See 18.07

Service Parts List *ELISE*



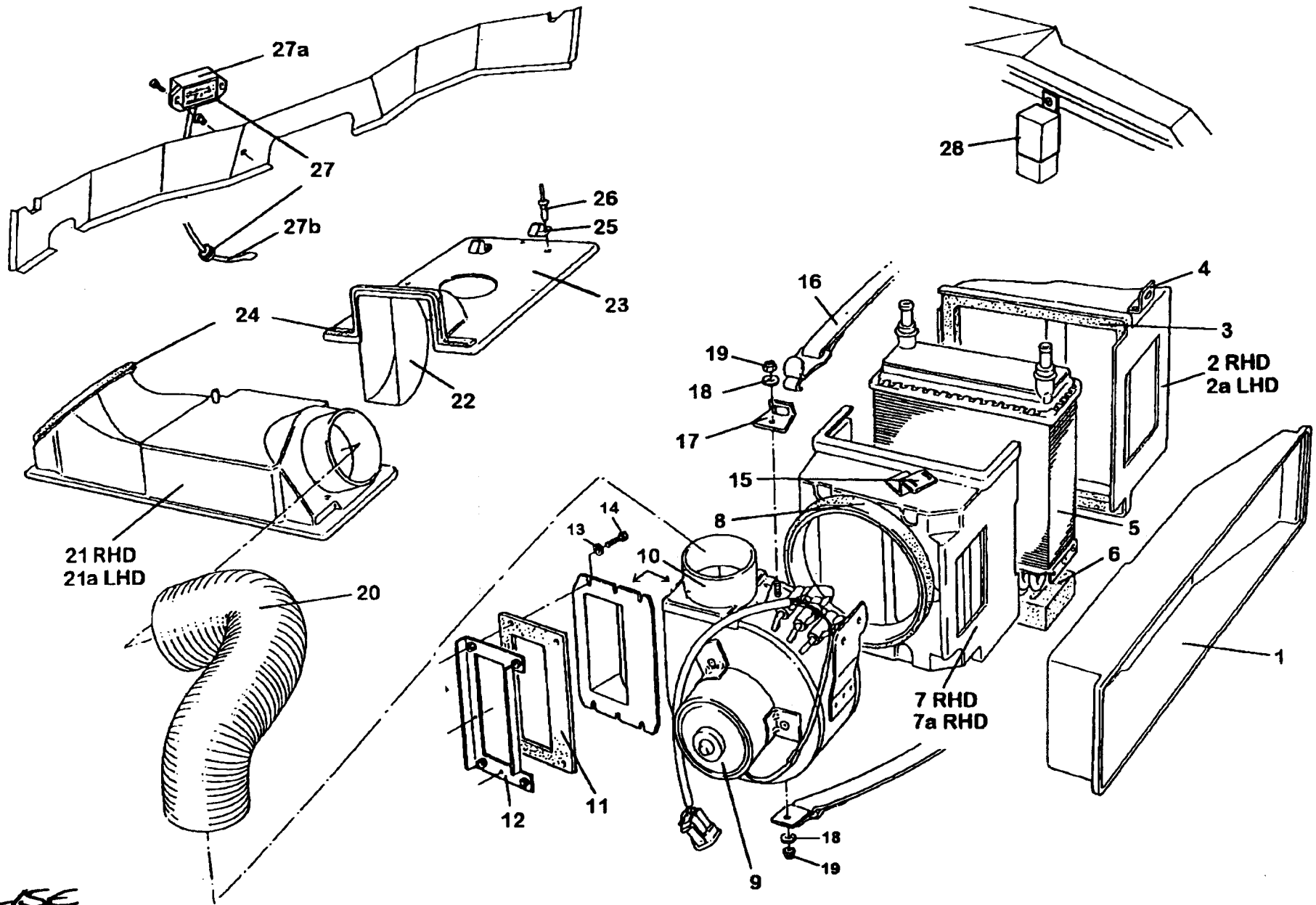
Function Code 18.07 Interior Blower Motor. Heater Matrix, Plenum, Intake hose etc.

<u>Dep</u>	<u>Part Description</u>	<u>Remarks</u>	<u>Option</u>	<u>Part Number</u>	<u>Qty</u>
01	Ram, air plenum			A111P0034K	1
02	Lid, heater casing		RHD	A111P0042K	1
02a	Lid, heater casing		LHD	A111P0041K	1
03	Seal, Foam, heater casing			A100B0431V	A/R
04	Bracket, heater to chassis			B111P0053F	1
05	Matrix		Heater only	A111P6011F	1
05a	Matrix		Heater / A.C.U.	A111P6042F	1
06	Foam base, heater matrix			A111P6012F	1
07	Heater case	Service Assembly	RHD	A111P0074J	1
07a	Heater case	Service Assembly	LHD	A111P0073J	1
08	Seal, foam, heater casing to motor			A100B0431V	1
09	Blower motor		Heater only	A111P0012F	1
09a	Blower motor		heater / A.C.U.	A111M6071F	1
10	Adaptor, to blower motor			A111P0024K	1
11	Seal, foam, blower assembly			A111P0185F	1
12	Tapping plate, blower assembly			A111P0183F	1
13	Washer, internal shakeproof, M4			A075W4086F	4
14	Screw, self tapping, pozi, M4 x 16 mm			A082W5141F	4

ELISE

Issued: 03-Aug-98

Function Code: 18.07, Page: 1



ELISE
 18.07

Function Code 18.07 Interior Blower Motor. Heater Matrix, Plenum, Intake hose etc.

<u>Dep</u>	<u>Part Description</u>	<u>Remarks</u>	<u>Option</u>	<u>Part Number</u>	<u>Qty</u>
15	Bracket, cable abutment	Also section 18.09		A111P0049F	1
16	Strap, heater box			A111P0013F	1
17	Clip, strap securing			A082U7599F	1
18	Washer, plate / strap to blower motor			A075W4011Z	2
19	Nyloc nut, strap securing clip / stay			A075W1021Z	2
20	Air hose, heater			A111P0020F	1
21	Plenum assembly		RHD	A111P0064J	1
21a	Plenum assembly		LHD	A111P0063J	1
22	Deflector, footwell			A111P0062K	1
23	Plenum, outlet			A111P0026K	1
24	Seal, foam, plenum housing / footwell deflector			A100B0431V	A/R
25	Tie wrap saddle			A085W6276F	2
26	Pop rivet			A075W6087Z	2
27	Thermoamplifier & thermister assembly			A082M4766K	1
27a	Thermoamplifier module			A111M6083K	1
27b	Thermister module / probe			A111M6084F	1
28	Timer module, hot shut down pump			A111M6076F	1
	Clip, air trunking	Not illustrated		A907E6347F	1

ELSE

Issued: 03-Aug-98

Function Code: 18.07, Page: 2

Service Parts List *ELISE*



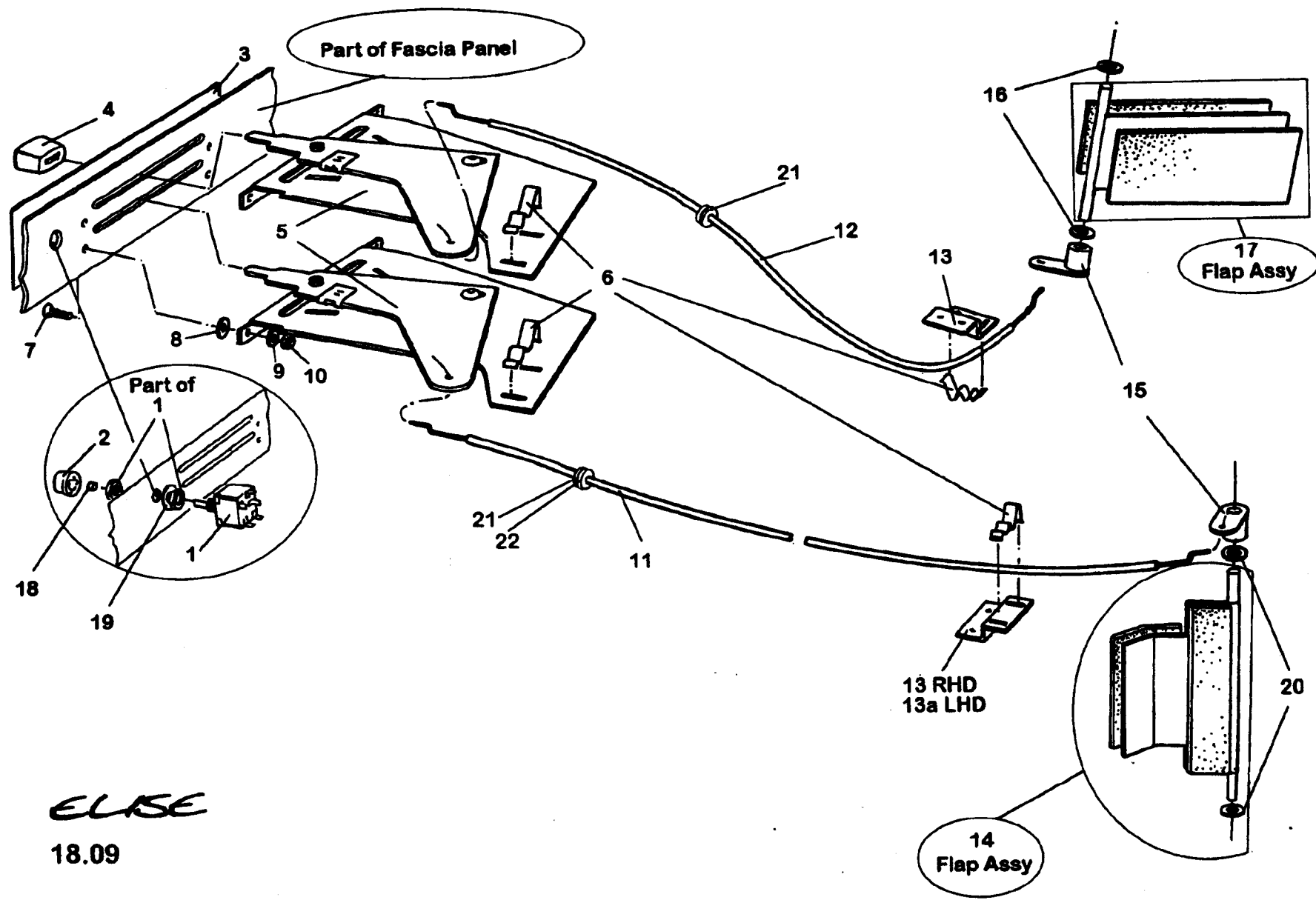
Function Code 18.09 Rotary Controls, Graphics, Flap / Diverter Mechanism.

<u>Dep</u>	<u>Part Description</u>	<u>Remarks</u>	<u>Option</u>	<u>Part Number</u>	<u>Qty</u>
01	Switch, fan speed control			A082M6223F	1
02	Knob, fan speed control			A082P4350F	1
03	Graphics panel, heater	Also see section 17.05		A111P0011F	1
03a	Graphics panel, a.c. only	Also see section 17.05		A111P0156F	1
03b	Graphics panel, heater + a.c.u.	Also see section 17.05		A111P0155F	1
04	Knob slider assembly (Heater or Ventilation Control)			A111P6003F	2
05	Control slider, heater vent			A111P6002F	2
06	Cable, securing clip			A111P6008F	4
07	Screw M4 x 16			A100W5160F	4
08	Washer M5			A075W4011Z	4
09	Washer M4			A082W4099F	4
10	Nyloc nut, M4			A075W3049F	4
11	Cable, Hot/Cold, RHD			A111P0021F	1
11a	Cable, Hot/Cold, LHD			A111P0051F	1
12	Cable splitter, RHD			A111P0022F	1
12a	Cable splitter, LHD			A111P0050F	1
13	Cable abutment bracket, RHD			A111P0049F	2
13a	Cable abutment bracket			A111P0049F	1

ELISE

Issued: 03-Aug-98

Function Code: 18.09, Page: 1



ELSE
18.09

Function Code 18.09 Rotary Controls,Graphics, Flap / Diverter Mechanism.

<u>Dep</u>	<u>Part Description</u>	<u>Remarks</u>	<u>Option</u>	<u>Part Number</u>	<u>Qty</u>
13b	Cable Abutment bracket splitter, RHD			A111P0052F	1
14	Flap assembly, heater unit	Includes Foam		B111P0060J	1
14a	Flap, sub assembly			C111P0016F	1
15	Lever Arm assembly flaps	Includes Grub Screw		A111P0048F	2
16	Flap spacer, plenum			B100W4127F	4
17	Flap assembly, plenum	Includes Foam-(Part of Plenum Assy)		B111P0059J	1
18	Spring clip, switch knob			A082W6493F	1
19	Washer M12 x 24, switch fixing			A075W4071F	1
20	Washer, flap spacer, heater	Not illustrated		A082W4133F	2
21	Grommet	Hot / Cold cable, through bulkhead, LHD		X036B6150Z	2
22	Grommet	Hot / Cold cable, through bulkhead, RHD		X036B6150Z	1
	Pop rivet, cable abutment bracket	Not illustrated		A111W6597F	8
	Washer, cable abutment bracket	Not illustrated		A075W4001Z	1

ELISE

Issued: 03-Aug-98

Function Code: 18.09, Page: 2

Service Parts List *ELISE*



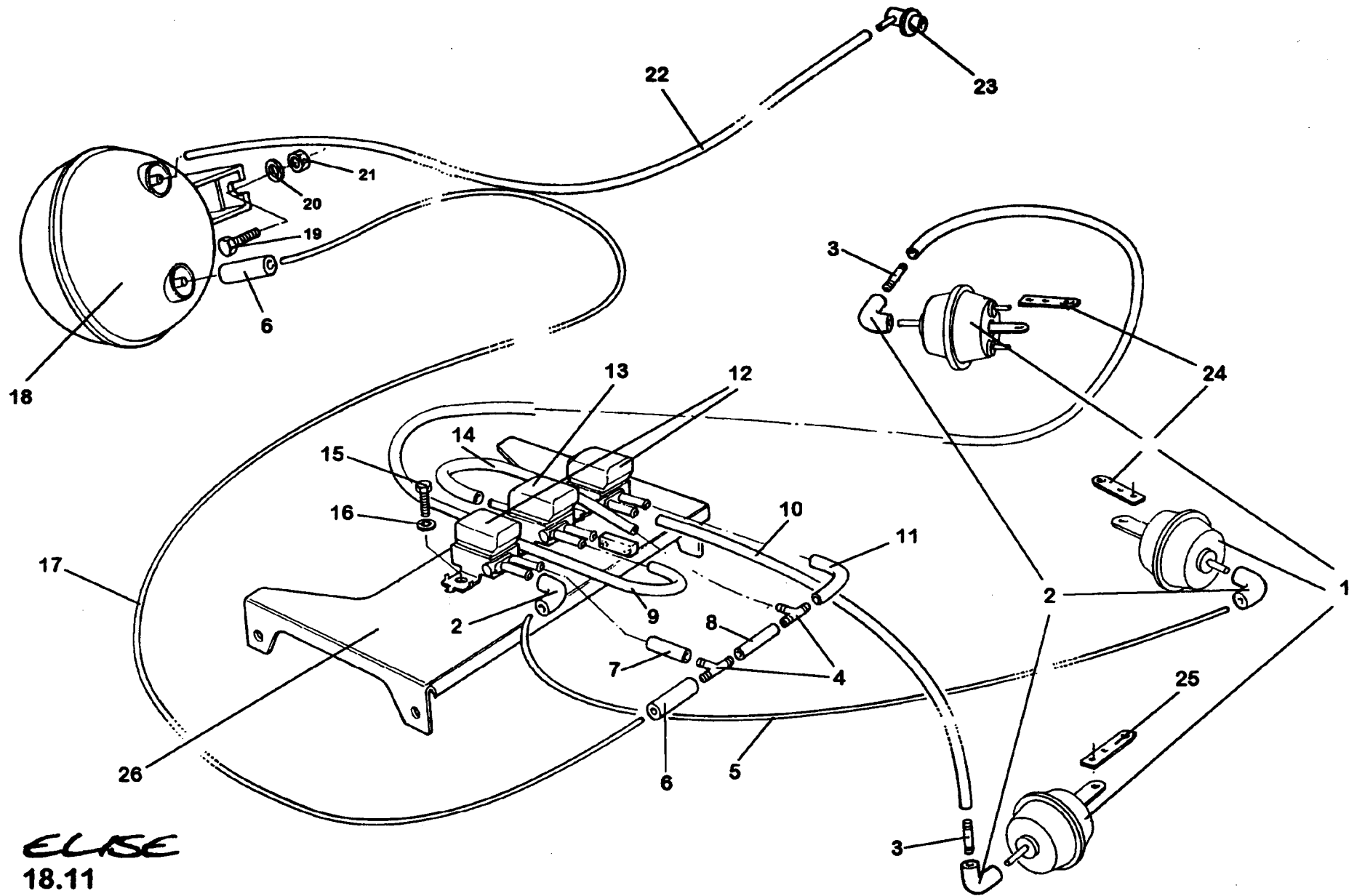
Function Code 18.11 Vacuum Pipes, Valves, Flaps, Actuators, Vacuum Pump.

<u>Dep</u>	<u>Part Description</u>	<u>Remarks</u>	<u>Option</u>	<u>Part Number</u>	<u>Qty</u>
01	Vacuum actuator			A111P6046F	3
02	Elbow connector, vacuum actuator to solenoid			A075P6079F	4
03	Connector, elbow to pipe			A082W6619F	2
04	'T' piece - junction, pipe connector, reservoir to solenoid			A082J6089F	2
05	Vacuum pipe, actuator to solenoid	500 mm length		A111P0193K	1
06	Connector, 40 mm, Vacuum pipe to reservoir / 'T' piece			A082L4294F	2
07	Connector hose, 25 mm, 'T' piece to solenoid			A111P0241K	2
08	Connector hose, 40 mm, 'T' piece to 'T' piece			A111P0191K	1
09	Vacuum hose, actuator to solenoid	500 mm length		A111P0209K	1
10	Vacuum hose, actuator to solenoid	470 mm length		A111P0198K	1
11	Elbow hose, 'T' piece to solenoid			A111P0192K	1
12	Solenoid, vacuum module			A082M6421F	2
13	Solenoid Wastegate			A082M6420F	1
14	Vacuum hose, 175 mm, solenoid wastegate to 'T' piece			A111P0253K	1
15	Setscrew, M5 x 20 mm, solenoid to platform mounting			A111W1105F	3
16	Washer, M5 x 1.0 mm			A075W4011Z	3
17	Vacuum pipe, reservoir to solenoid 'T' piece	A.c.u. + Heater / A.c.u. only, 3500 mm length		A111P0197K	1
18	Vacuum reservoir			A100P6018F	1

ELISE

Issued: 03-Aug-98

Function Code: 18.11, Page: 1



ELISE
18.11

Function Code 18.11 Vacuum Pipes, Valves, Flaps, Actuators, Vacuum Pump.

<u>Dep</u>	<u>Part Description</u>	<u>Remarks</u>	<u>Option</u>	<u>Part Number</u>	<u>Qty</u>
19	Setscrew, M5 x 20 mm, vacuum reservoir mounting			A075W1025F	2
20	Washer, M5 x 1.0 mm			A075W4011Z	2
21	Spire nut			A082W6313F	2
22	Vacuum hose, reservoir to non return valve	700 mm length		A111P0194K	1
23	Non return valve			A111P0176F	1
24	Extension arm, vacuum actuator			B111P0221F	2
25	Extension arm, vacuum actuator			B111P0220F	1
26	Mounting plate, solenoid modules			A111P0184F	1

ELSE**Issued: 03-Aug-98****Function Code: 18.11, Page: 2**

Service Parts List *ELISE*



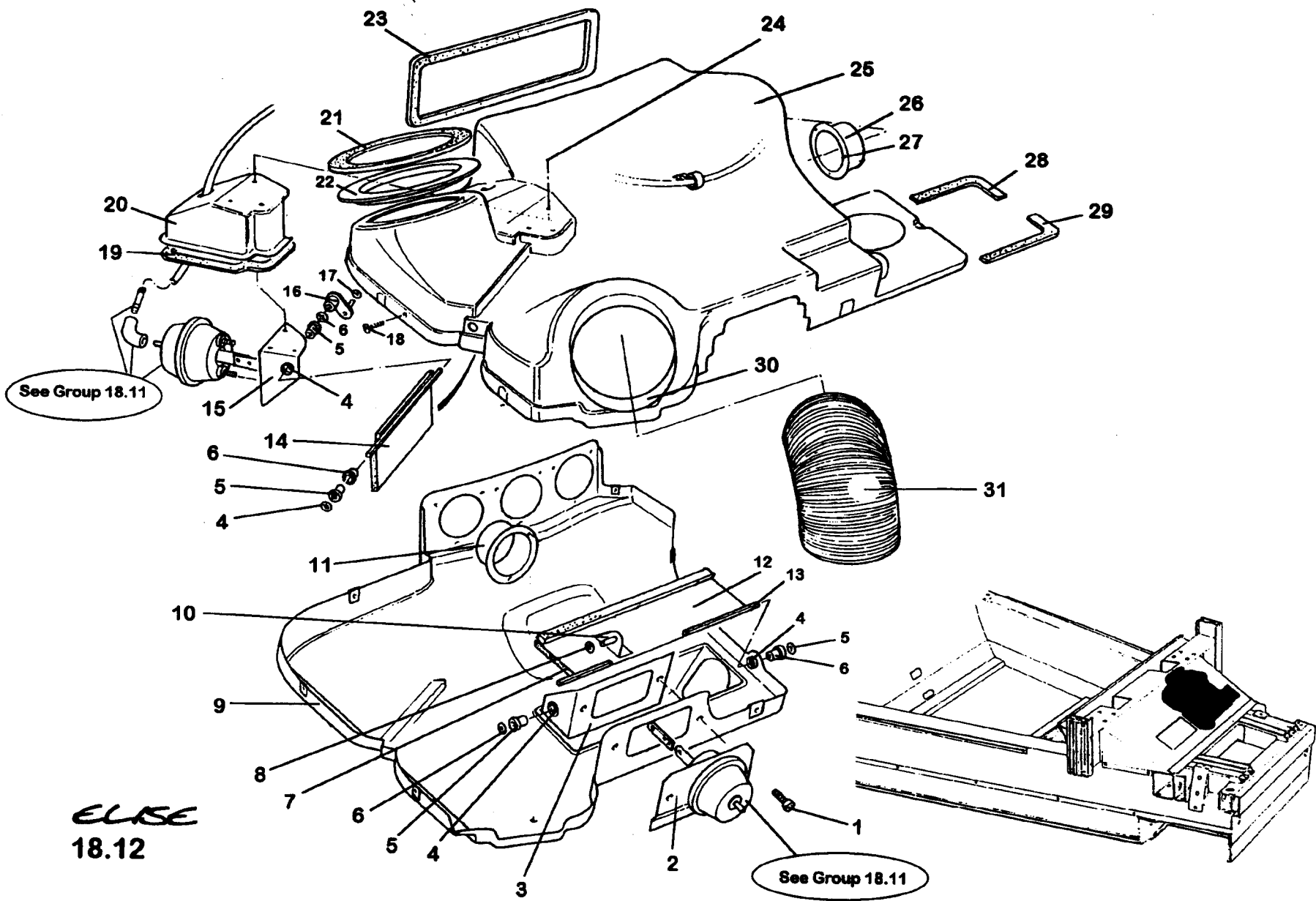
Function Code 18.12 Air Distribution Centre / Station

<u>Dep</u>	<u>Part Description</u>	<u>Remarks</u>	<u>Option</u>	<u>Part Number</u>	<u>Qty</u>
01	Setscrew, pozi, M4 x 16 mm, fixing actuator bracket			A082W5141F	2
02	Mounting bracket, actuator			A111P0229F	1
03	Mounting bracket, footwell flap, RHD			A111P0228F	1
04	Bush, outer pivot			A075P6064F	8
05	Bush, inner pivot			A089P0268F	8
06	Securing clip, flap shaft			A075W6173F	6
07	Foam strip, 10 mm x 6 mm, self adhesive			A111P0141K	A/R
08	Starlock fastener, 4 mm			A111P6025F	2
09	Air distribution module, RHD			A111P0112K	1
10	Spindle, air flap pivot			A111P0123H	1
11	Duct, footwell outlet to FLV's			A075P0150F	4
12	Flap door, RHD			B111P0120H	1
13	Pivot shaft, footwell flap			A111P0121H	2
14	Flap door, demist, RHD			C111P0079F	1
15	Mounting bracket, Demist actuator			A111P0222F	1
16	Directional lever, demist flap			A111P0233F	1
17	Starlock fastener, 4 mm			A111P6025F	2
18	Screw, pozi self tapping, No 6 x ½"			A075W5012F	5

ELISE

Issued: 03-Aug-98

Function Code: 18.12, Page: 1



ELSE
18.12

Function Code 18.12 Air Distribution Centre / Station

<u>Dep</u>	<u>Part Description</u>	<u>Remarks</u>	<u>Option</u>	<u>Part Number</u>	<u>Qty</u>
19	Foam gasket			TBA	1
20	Baffle, actuator housing, RHD			A111P0235K	1
21	Gasket			TBA	1
22	Seal			TBA	1
23	Foam gasket			TBA	1
24	Pop rivet, demist actuator bracket fixing			A075W6090Z	3
25	Module, air distribution, RH upper, RHD			A111P0108K	1
26	Outlet duct, footwell distribution to FLV			A075P0150F	4
27	Pop rivet, duct fixing			A075W6090Z	12
28	Gasket, air distribution module			TBA	1
29	Gasket, air distribution module			TBA	1
30	Adaptor spigot, air distribution box			A111P0207K	1
31	Air hose, air distribution module			A111P0226F	1

Service Parts List *ELISE*



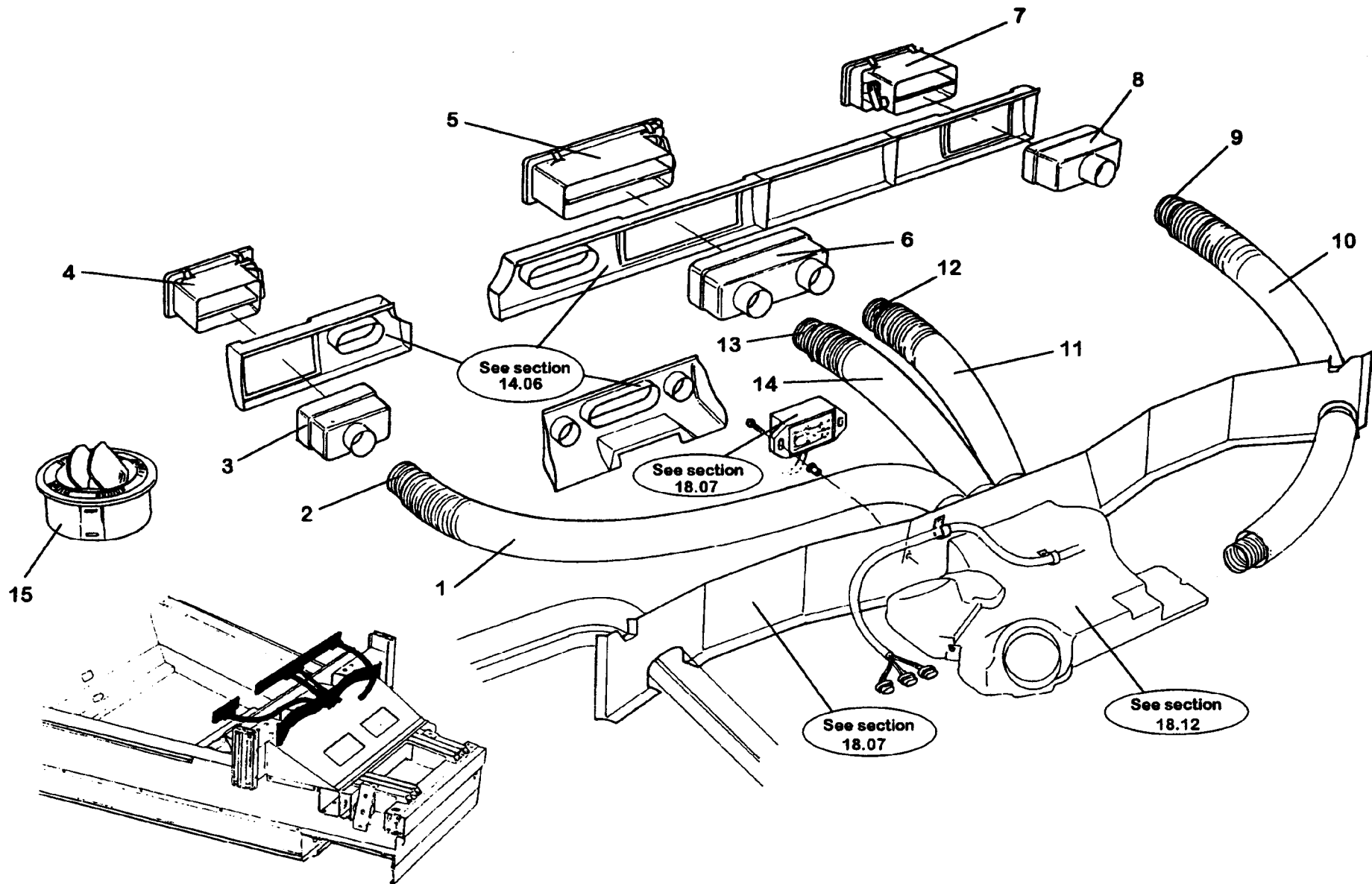
Function Code 18.13 Trunking, Inlet & Outlet Vents, Demister Vents - Interior

<u>Dep</u>	<u>Part Description</u>	<u>Remarks</u>	<u>Option</u>	<u>Part Number</u>	<u>Qty</u>
01	Trunking, face level vent, drivers side outer, RH	A.C.u. + Heater / A.C.U. only		A111P0203F	1
02	Trunking, face level vent, drivers side inner, RH	A.C.u. + Heater / A.C.U. only		A111P0199F	1
03	Adaptor, trunking to face level vent	A.C.u. + Heater / A.C.U. only		A111P0178K	1
04	Duct, outlet, face level vent, RH	A.C.u. + Heater / A.C.U. only		A082P6063F	1
05	Duct, outlet, face level vent, Centre position	A.C.u. + Heater / A.C.U. only		A111P6017F	1
06	Adaptor, trunking to face level vent, Centre position	A.C.u. + Heater / A.C.U. only		A111P0177K	1
07	Duct, outlet, face level vent, LH	A.C.u. + Heater / A.C.U. only		A111P6016F	1
08	Adaptor, trunking to face level vent	A.C.u. + Heater / A.C.U. only		A111P0178K	1
09	Trunking reducer, face level inner, LH	A.C.u. + Heater / A.C.U. only		A111P0200F	1
10	Trunking, face level vent, passenger outer	A.C.u. + Heater / A.C.U. only		A111P0206F	1
11	Trunking, face level vent, passenger, centre left	A.C.u. + Heater / A.C.U. only		B111P0205F	1
12	Trunking reducer, face level vent, passenger, centre left	A.C.u. + Heater / A.C.U. only		B111P0202F	1
13	Trunking reducer, face level vent, drivers, centre right	A.C.u. + Heater / A.C.U. only		B111P0201F	1
14	Trunking, face level vent, drivers side, centre right	A.C.u. + Heater / A.C.U. only		A111P0203F	1
15	Demister vent, top of crash pad	All models / variants		A111P6001F	4

ELISE

Issued: 03-Aug-98

Function Code: 18.13, Page: 1



ELISE
18.13

Service Parts List *ELISE*



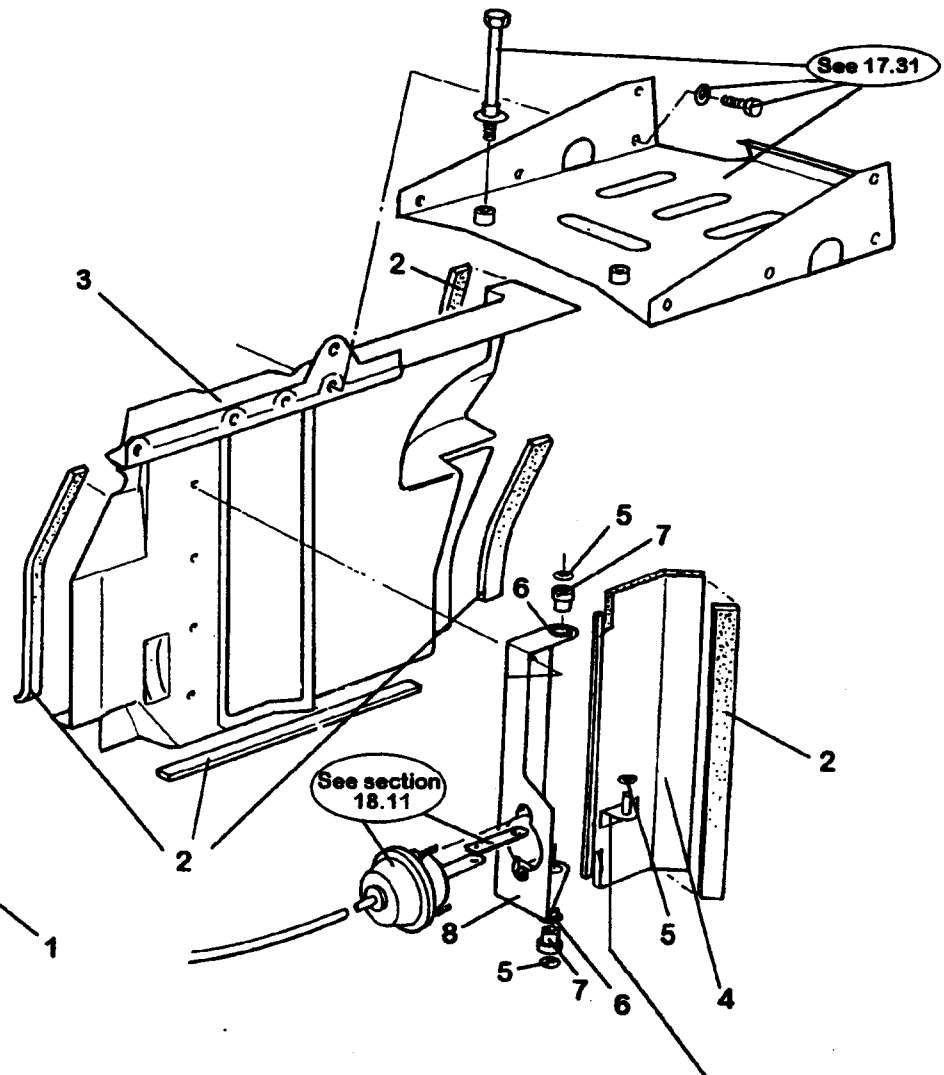
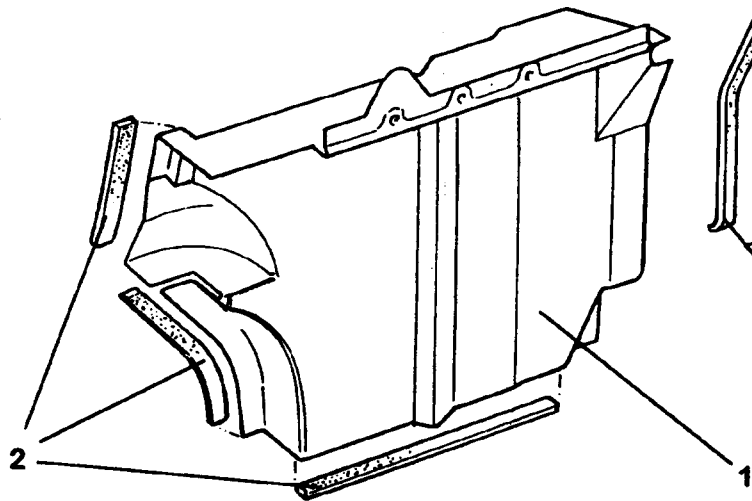
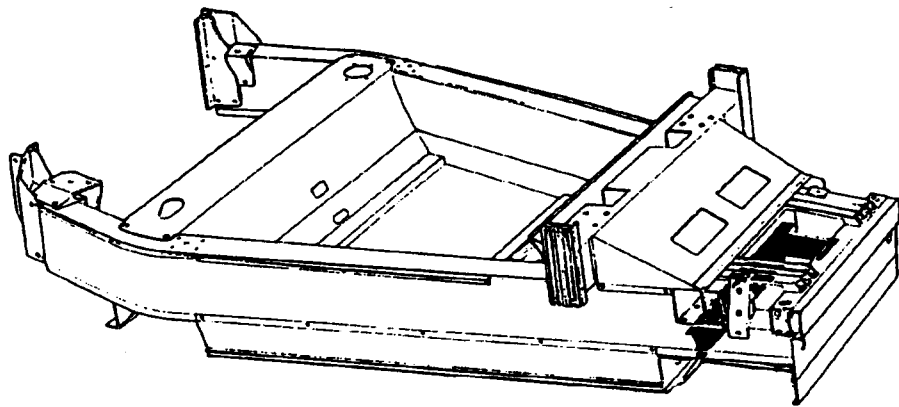
Function Code 18.14 H.V.A.C. - Air recirculating ducting

<u>Dep</u>	<u>Part Description</u>	<u>Remarks</u>	<u>Option</u>	<u>Part Number</u>	<u>Qty</u>
01	Air inlet diverter, RH, RHD	A.c.u & Heater + A.c.u. only		A111P0096K	1
02	Foam strip seal, self adhesive	A.c.u & Heater + A.c.u. only		A111P0173K	A/R
03	Air inlet diverter, LH, RHD	A.c.u & Heater + A.c.u. only		A111P0095K	1
04	Flap panel	A.c.u & Heater + A.c.u. only		A111P0160F	1
05	Fastener, starlock, 4 mm	A.c.u & Heater + A.c.u. only		A111P6025F	6
06	Bush pivot, outer, RHD	A.c.u & Heater + A.c.u. only		A075P6046F	6
07	Bush pivot, inner, RHD	A.c.u & Heater + A.c.u. only		A089P0268F	6
08	Mounting bracket, recirculation flap	A.c.u & Heater + A.c.u. only		A111P0216F	1

ELISE

Issued: 03-Aug-98

Function Code: 18.14, Page: 1



Part of flap assembly

ELISE
18.14

Service Parts List *ELISE*



Function Code 19.01 Labels, Certificates, Literature etc.

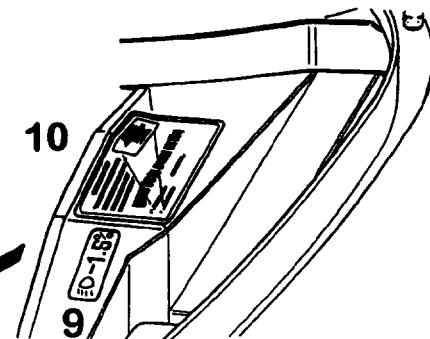
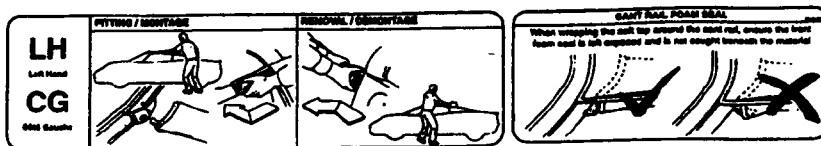
<u>Dep</u>	<u>Part Description</u>	<u>Remarks</u>	<u>Option</u>	<u>Part Number</u>	<u>Qty</u>
01	Certificate of conformity		English	A111U0150A	1
01a	Certificate of conformity		French	A111U0151A	1
01b	Certificate of conformity		Dutch	A111U0152A	1
01c	Certificate of conformity		German	A111U0153A	1
01d	Certificate of conformity		Italian	A111U0154A	1
02	Label, Shear Panel Warning			A111A0213F	1
03	Label, Tyre Loading - Australia only (205/50 ZR16 RR Tyre)			A111U0206F	1
04	Label, Tyre Loading - Australia Only (225/45 ZR16 RR Tyre)			A111U0274F	1
05	Label, Chassis VIN * Special Order Only *			C111U0005K	1
06	Label, fuel consumption			A111U0006K	1
07	Label, Headlamp levelling, 1.5%			B082U7039F	1
08	Label, brake fluid warning			A082U7623F	1
09	Label, E' mark			C111U0008F	1
10	Label, Layout - Chassis / VIN base			A082U7400F	1
10a	Label, Layout - Chassis / VIN overlay			A082U7401F	1
11	Fuel Filler, Unlock Instructions - Black			A111U0257F	1
11a	Fuel Filler, Unlock Instructions - White			A111U0258F	1

ELISE

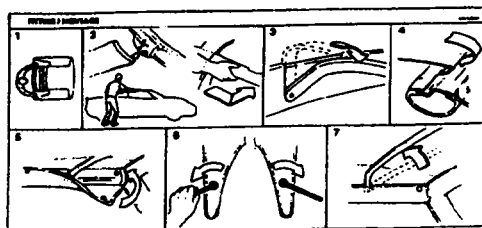
Issued: 04-Aug-98

Function Code: 19.01, Page: 1

1



2



8

10	0195003	26	0195003
11	0295002	28	0095003
12	0295004	39	0095004
13	0795009	46	0195003
14	0395006	48	0195002
17RA	0495005	51	0195019
18	0195002	83	0195016
21	0195005		

LOTUS B111U008



4

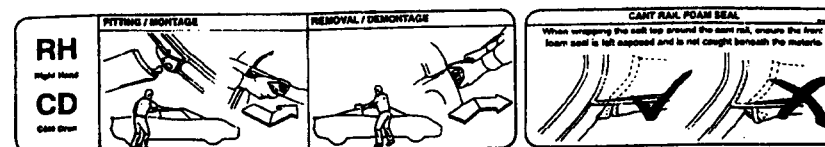
MAXIMUM ALLOWABLE MASS IN LUGGAGE COMPARTMENT: 50kg
A111U007

5

WARNING A111A0213
IT IS UNSAFE TO USE VEHICLE WITH THE STRUCTURAL SHEAR PANEL REMOVED ENSURE BOLTS TORQUED 24Nm.

6

FUEL FILLER CAP UNLOCKING
When removing the fuel filler cap, unlock by turning the key ¼ clockwise, then ¼ counterclockwise, and to protect the paintwork from damage, *withdraw the key before unscrewing the cap.*



7

ELISE
19.01

Function Code 19.01 Labels, Certificates, Literature etc.

<u>Dep</u>	<u>Part Description</u>	<u>Remarks</u>	<u>Option</u>	<u>Part Number</u>	<u>Qty</u>
12	Label, premium unleaded fuel			A082U7800F	1
13	Hood fitting instruction card			A111U0241F	1
14	Label - Luggage Loading			A111U0007F	1
15	Label, vehicle emissions			A111U0318F	1
16	Jacking point - Label			A111U0239F	2
17	Cant rail fitting instruction Label - LH			B111U0243F	1
17a	Cant rail fitting instruction Label - RH			B111U0242F	1

ELISE

Issued: 04-Aug-98

Function Code: 19.01, Page: 2

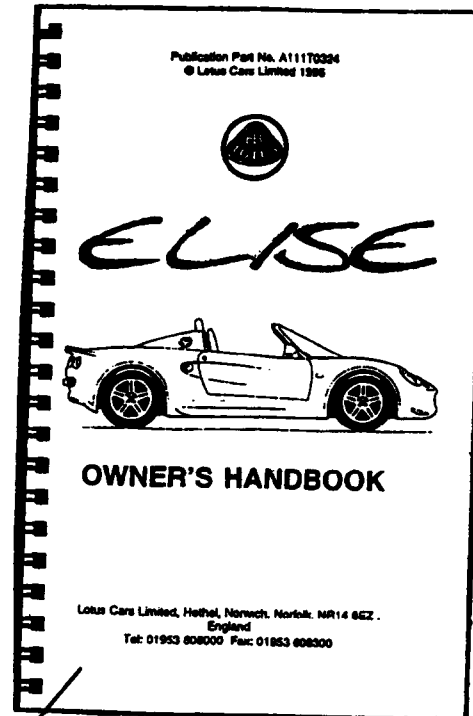
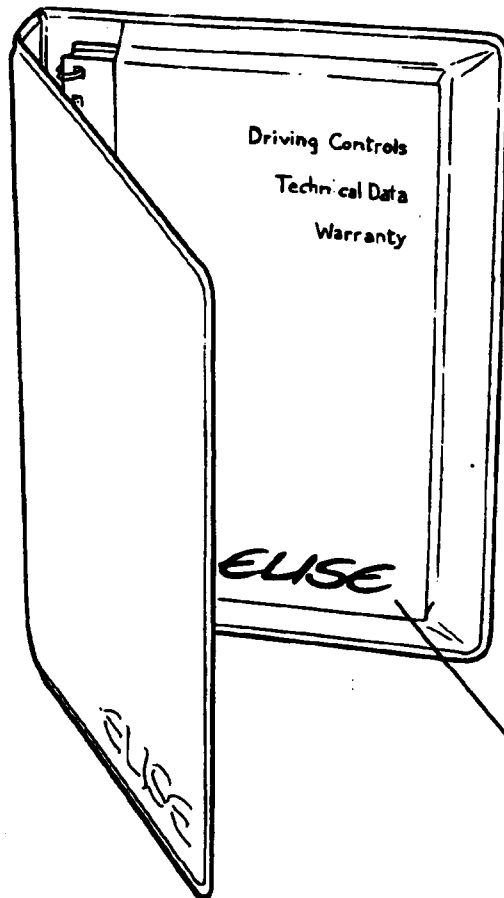
Service Parts List *ELISE*



Function Code 19.03 Owner's Handbooks & Service Notes Manuals

<u>Dep</u>	<u>Part Description</u>	<u>Remarks</u>	<u>Option</u>	<u>Part Number</u>	<u>Qty</u>
01	Owners Handbook	Includes maintenance record/dealer directory	All cars	C111T0324J	1
02	User Quick Guide	Not illustrated	Dealer supply	D111T0234J	1
03	Service Notes	Not illustrated		A111T0327J	1
04	Service Parts List	Not illustrated		A111T0325J	1
05	Service Labour Times	Not illustrated		A111T0328J	1

ELISE



1

ELISE
19.03

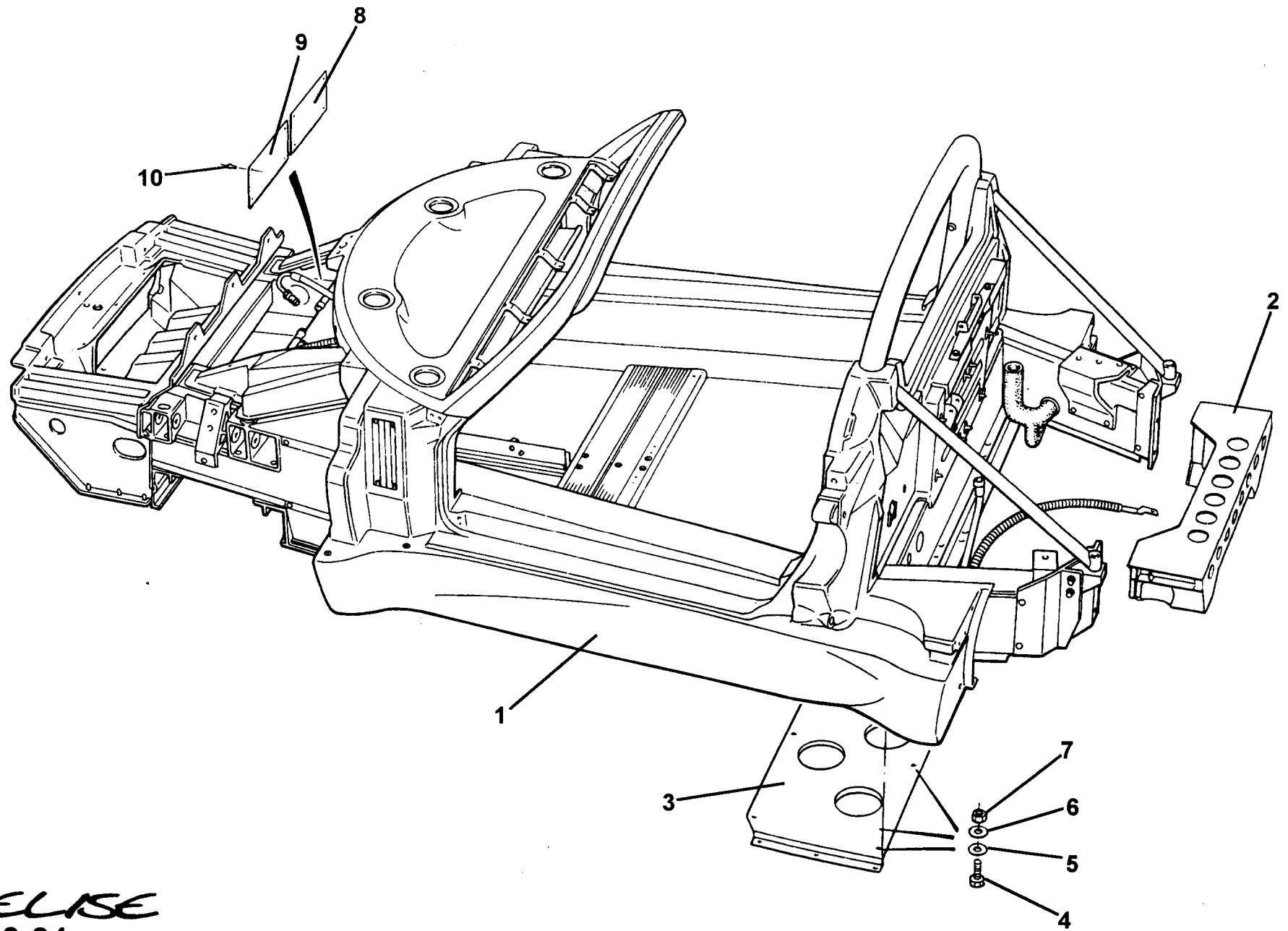
Service Parts List *ELISE*



Function Code 30.01 Chassis , Subframe

<u>Dep</u>	<u>Part Description</u>	<u>Remarks</u>	<u>Option</u>	<u>Part Number</u>	<u>Qty</u>
01	Partial Body Assembly		RHD	A111A0230J	1
01a	Partial Body Assembly		LHD	A111A0229J	1
02	Rear Sub Frame, galvanised	Order rear longerons also (30.19)		A111A0057F	1
03	Shear Panel, fuel tank bay closing panel			C111A0065F	1
04	Screw, M8 x 25, hex. hd., shear panel fix			A111W1156F	10
05	Washer, M8 x 21 x 1.6			A111W4159F	10
06	Washer, flat, M8 x 16.6 x 1.4			A111W4164F	5
07	Nut, nyloc, M8			A907E62844F	5
08	Blanking Panel, RH, toe board air vents		Non AC cars	A111B0489K	1
09	Blanking Panel, LH, toe board air vents		Non AC cars	A111B0490K	1
10	Pop Rivet, blanking panel fix			A085W6259F	8
11	Mounting - Front Tunnel	Not illustrated		C111A0067F	1
12	Edging Strip - Rubber	Not illustrated		B075U6054V	A/R

ELISE



ELISE
30.01

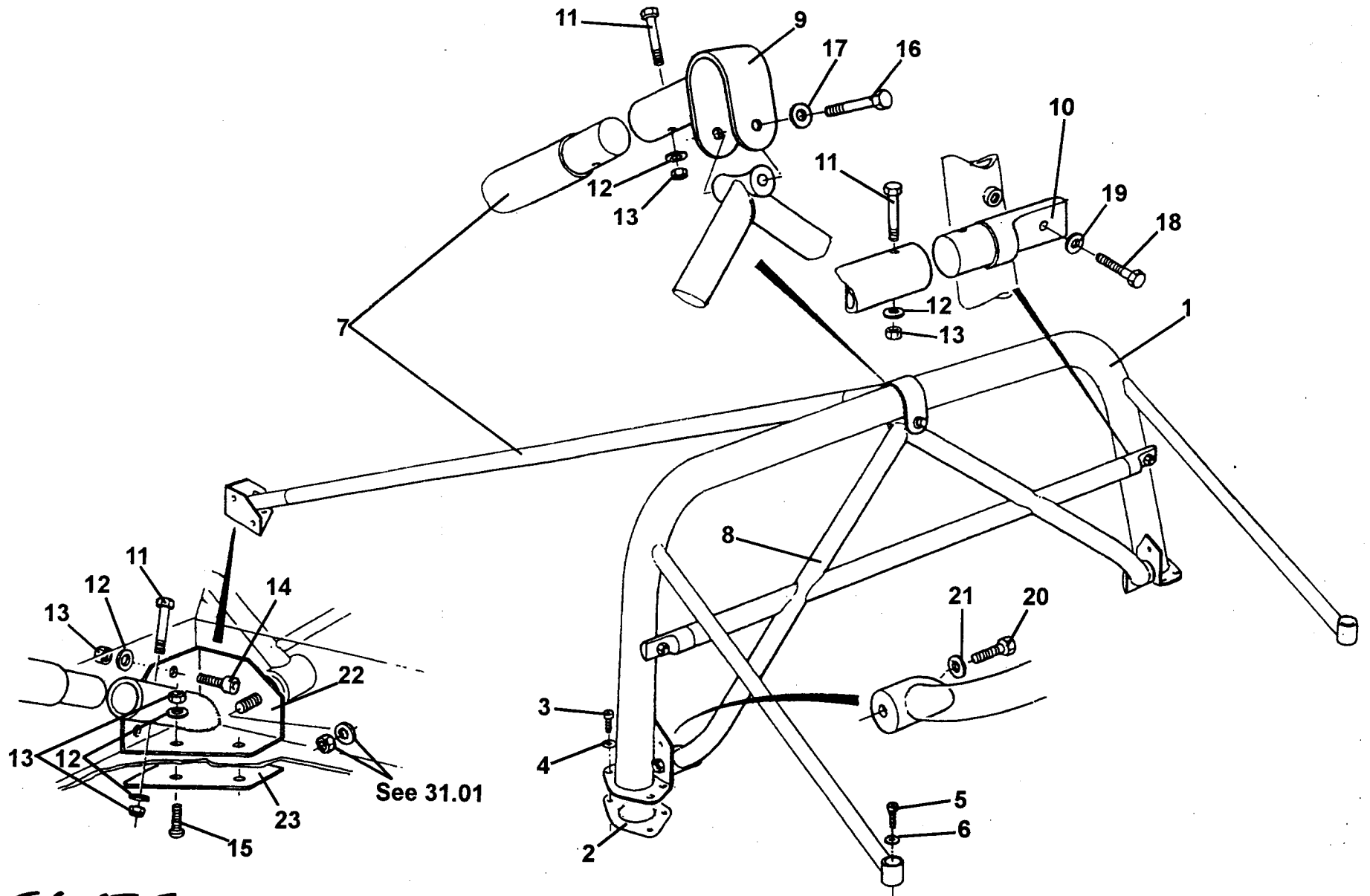
Service Parts List *ELISE*



Function Code 30.02 Roll-Over Bar, Reinforcement Kit & Fixings

<u>Dep</u>	<u>Part Description</u>	<u>Remarks</u>	<u>Option</u>	<u>Part Number</u>	<u>Qty</u>
01	Roll-Over Bar, black			E111A0074F	1
01a	Roll-Over Bar, silver		Sport 135, 190	E111A0248F	1
02	Shim, base plate			A111A0071	2
03	Screw, M8 x 25, cap hd.			A111W7132F	8
04	Washer, flat, M8 x 16.6 x 1.4			A075W4020Z	8
05	Screw, M10 x 40 cap hd.			A111W7143F	2
06	Washer, flat, M10 x 20.5 x 1.8			A075W4024Z	2
07	Strut, bar to floor		MOTOR SPORT	A111A0239S	1
08	'A' Frame/Harness Bar		MOTOR SPORT	A111A0234S	1
09	'U' Clamp Spigot, strut to bar, RHD		MOTOR SPORT	A111A0227S	1
09a	'U' Clamp Spigot, strut to bar, LHD		MOTOR SPORT	A111A0226S	1
10	Mounting Spigot, harness bar to roll-over bar		MOTOR SPORT	A111A0224S	2
11	Bolt, M8 x 50, hex. hd.		MOTOR SPORT	A079W1044F	4
12	Washer, flat, M8		MOTOR SPORT	A075W4079F	8
13	Nyloc Nut, M8		MOTOR SPORT	A907E6284F	8
14	Setscrew, M8 x 16, cap hd.		MOTOR SPORT	A075W1036Z	2
15	Setscrew, M8 x 20, pan hd. pozi.		MOTOR SPORT	A075W5095F	2
16	Bolt, M12 x 80, hex. hd.		MOTOR SPORT	A082W2157F	1

ELISE



ELISE
30.02

Function Code 30.02 Roll-Over Bar, Reinforcement Kit & Fixings

<u>Dep</u>	<u>Part Description</u>	<u>Remarks</u>	<u>Option</u>	<u>Part Number</u>	<u>Qty</u>
17	Washer, flat		MOTOR SPORT	A082W4154F	1
18	Bolt, M10 x 75, hex. hd.		MOTOR SPORT	A075W2059Z	2
19	Washer, flat, M10		MOTOR SPORT	A075W4037Z	2
20	Bolt, 7/16" x 25mm, hex. hd.		MOTOR SPORT	A111W2183F	2
21	Washer, flat, 7/16"		MOTOR SPORT	A075W4029F	2
22	Corner Plate, strut to floor, LH footwell (RHD)		MOTOR SPORT	A111A0237S	1
22a	Corner Plate, strut to floor, RH footwell (LHD)		MOTOR SPORT	A111A0238S	1
23	Floor Reinforcing Plate		MOTOR SPORT	A111A0244S	1
24	Roll-Over Bar Reinforcement Kit, RHD	Comprises items 7 to 22	MOTOR SPORT	A111A0246S	1
24a	Roll-Over Bar Reinforcement Kit, LHD	Comprises items 7 to 22	MOTOR SPORT	A111A0245S	1

ELISE

Service Parts List *ELISE*

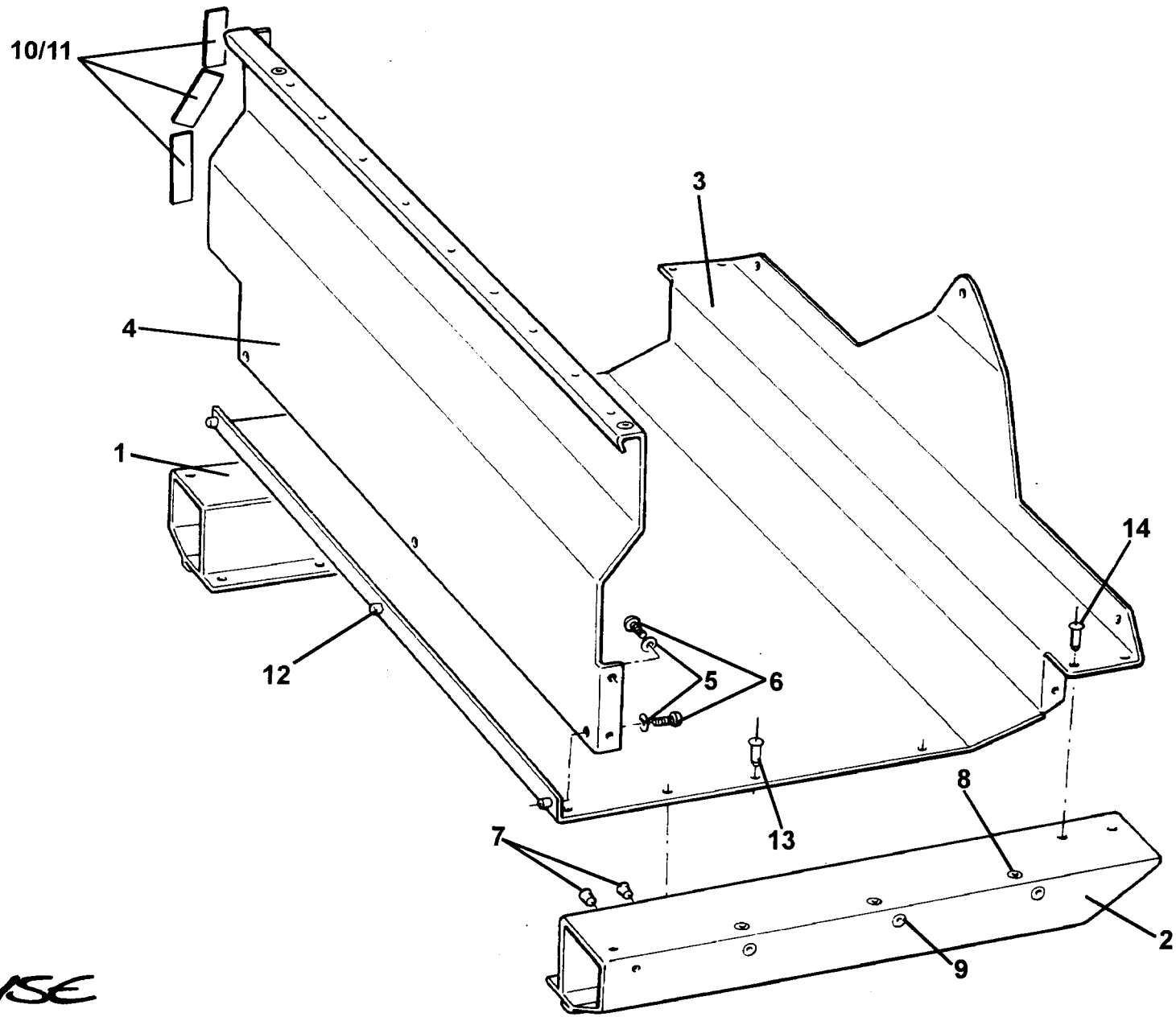


Function Code 30.19 Boot floor, Longérons, Bulkhead

<u>Dep</u>	<u>Part Description</u>	<u>Remarks</u>	<u>Option</u>	<u>Part Number</u>	<u>Qty</u>
01	Longeron, alloy boot floor, RH	Required with new subframe	Prior to VIN* (see below)	B111A0060F	1
01a	Longeron, composite boot-box, RH	Required with new subframe	From VIN* (see below)	A111A0266F	1
02	Longeron, alloy boot floor, LH	Required with new subframe	Prior to VIN* (see below)	B111A0061F	1
02a	Longeron, composite boot-box LH	Required with new subframe	From VIN* (see below)	A111A0267F	1
03	Boot Floor, alloy	Fits items: 01/02		F111A0059F	1
04	Boot Bulkhead	Fits items: 01/02		B111B0107F	1
05	Washer, flat, 3/16" x 1/2"			A075W4000Z	7
06	Screw, M5 x 12, button hd., bulkhead fixing			A111W6593F	6
07	Rivnut, M5 x 0.8 countersunk hd			A111W6566H	2
08	Pulsert, M6 flat hd.			A079W6191F	6
09	Rivnut, M6 x 1, countersunk hd.			A111W6536H	8
10	Grip-Lock, self adhesive, loop			A111V6019V	0.15M
11	Grip-Lock, self adhesive, hook			A111V6020V	0.15M
12	Pulsert, M5			A111W6539F	3
13	Pop Rivet, 6.4 x 20, boot floor to longeron			A6593F111W	6
14	Pop Rivet, 6.4 x 13, boot floor to longeron			A111W6594F	10

*VIN: W 4429 (approx.) plus;
4140, 4315, 4365, 4383. less
4653

ELISE



ELISE
30.19

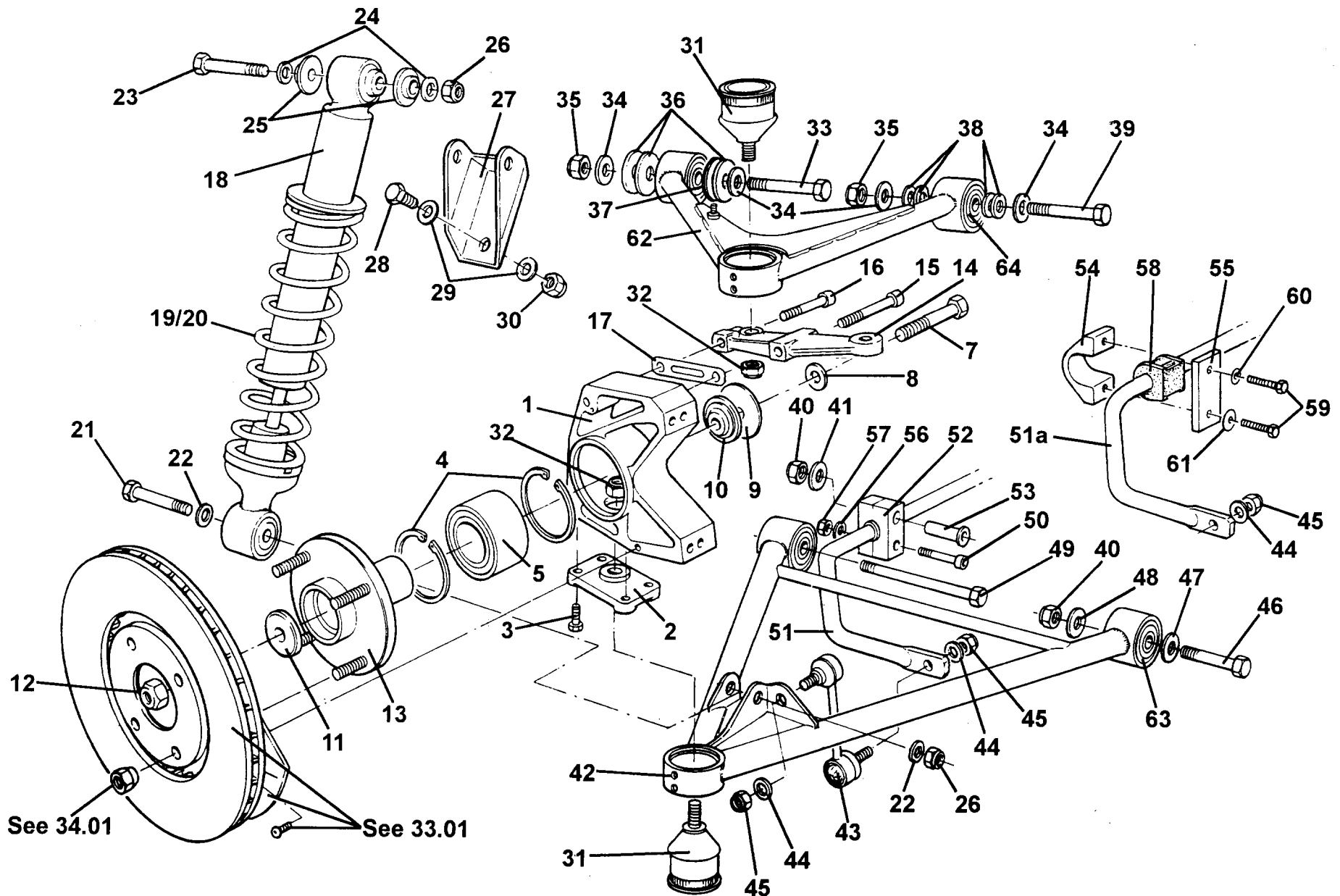
Service Parts List *ELISE*



Function Code 31.01 Front Suspension Incl. Hubs

<u>Dep</u>	<u>Part Description</u>	<u>Remarks</u>	<u>Option</u>	<u>Part Number</u>	<u>Qty</u>
01	Hub Carrier Assembly, LH	Including bearing		F111C0029K	1
01a	Hub Carrier Assembly, RH	Including bearing		F111C0030K	1
02	Ball Joint Carrier, lower LH			B111C0043F	1
02a	Ball Joint Carrier, lower RH			B111C0042F	1
03	Screw, M10 x 30 hex hd., grade 8.8			A111W1158F	8
04	Circlip, dia 68 mm, bearing retention			A111C6016F	4
05	Bearing, double taper roller			A111C6002F	2
06	Front Hub Clamp Bolt Set	Comprises 07-12, use if M12 set removed, (prior VIN: W 1830)		A111C0137S	
07	Bolt, M16 x 100, hex. hd., hub retention			A111W2185F	2
08	Washer, flat, M16 x 30 x 2, hub retention			A111W4171F	2
09	Dust Shield, hub bearing			B111C0076F	2
10	Thrust Washer, inner, hub retention			A111C0118F	2
11	Thrust Washer, outer, hub retention			A111C0117F	2
12	Nyloc Nut, M16, hub retention			A111W3159F	2
13	Wheel Hub, drive assembly with studs			A111C6001F	2
14	Steering Arm, LH			A111C0143F	1
14a	Steering Arm, RH			A111C0144F	1
15	Bolt, M10 x 65, cap hd., steering arm to hub carrier			A111W7144F	2

ELISE

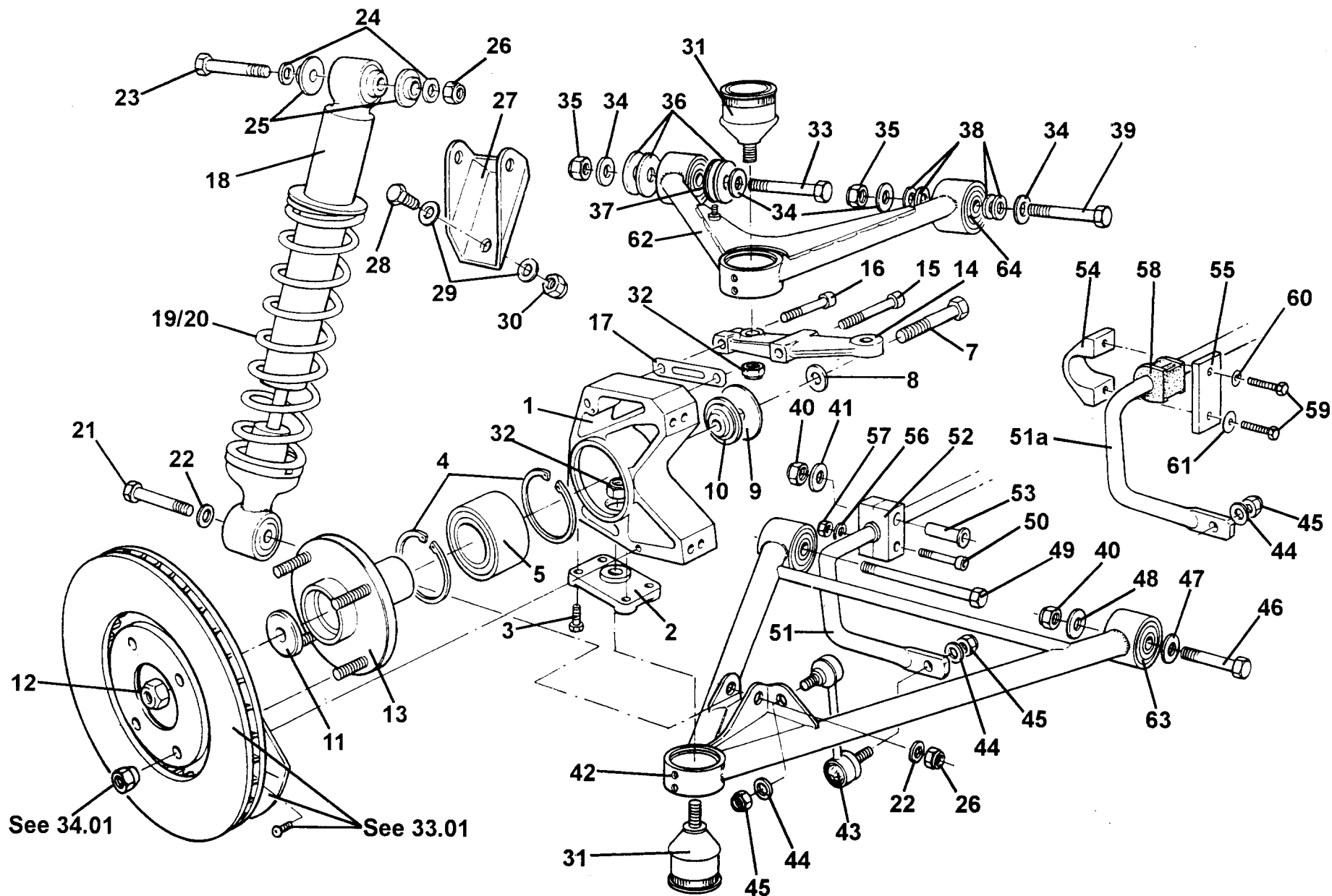


ELISE
31.01

Function Code 31.01 Front Suspension Incl. Hubs

<u>Dep</u>	<u>Part Description</u>	<u>Remarks</u>	<u>Option</u>	<u>Part Number</u>	<u>Qty</u>
16	Bolt, M10 x 45, cap hd., steering arm to hub carrier			A111W7155F	2
17	Shim, 1mm, camber adjustment			A111C0062F	As req.
17a	Shim, 3mm, camber adjustment			C111C0064F	As req.
18	Damper			B111C0007F	2
18a	Damper		MOTOR SPORT	B111C0116S	2
19	Road Spring, (parallel)		Prior to VIN: W 3580	A111C0074F	2
19a	Road Spring, (barrel)		From VIN: W 3580	A111C0140F	2
20	Road Spring		MOTOR SPORT	A111C0136F	2
21	Bolt, M10 x 55, hex. hd., damper bottom fix.			A079W2057F	2
22	Washer, M10 x 20.5 x 1.8, damper bottom fix.			A075W4024Z	2
23	Bolt, M10 x 70, hex. hd., damper top fix.			A075W2058Z	2
24	Washer, flat, M10 x 20 5 x 1.8, damper top fix.			A075W4024Z	2
25	Spacer, damper to top mounting bracket			A111C0061F	4
26	Nyloc Nut, M10, damper fixings			A100W3112F	4
27	Damper Mounting Bracket, LH	Non AC chassis cars	Prior to VIN* (see below)	A111C0033F	1
27a	Damper Mounting Bracket, RH	Non AC chassis cars	Prior to VIN* (see below)	A111C0034F	1
27b	Damper Mounting Bracket, LH	AC commonisation chassis cars	From VIN* (see below)	B111C0033F	1
27c	Damper Mounting Bracket, RH	AC commonisation chassis cars	From VIN* (see below)	B111C0034F	1
28	Bolt, M8 x 25, hex. hd., bracket to chassis			A111W1156F	4
29	Washer, flat, M8 x 16.6, bracket to chassis			A111W4164F	4
30	Nyloc Nut, M8, bracket to chassis			A075W3010Z	4

ELISE

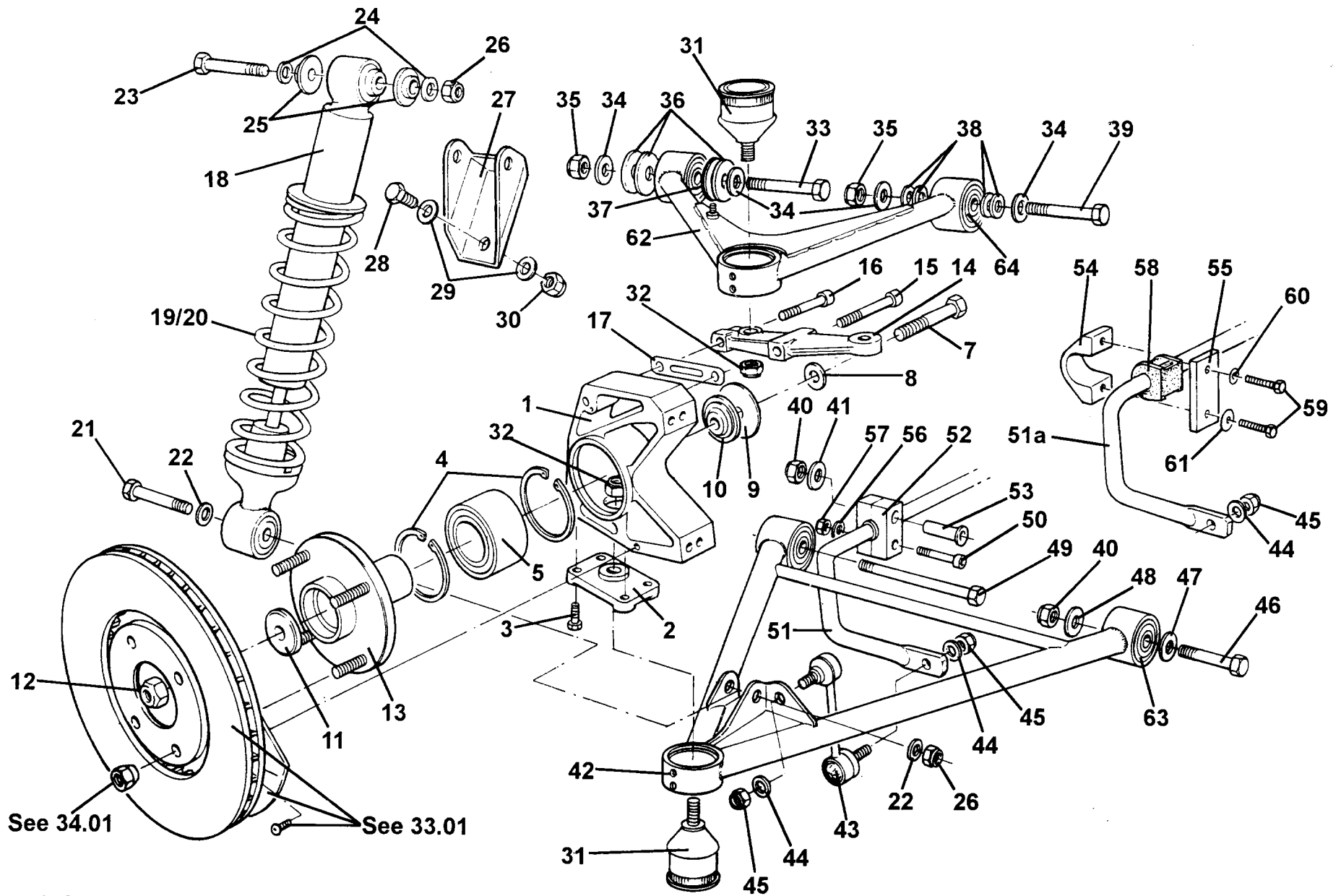


ELISE
31.01

Function Code 31.01 Front Suspension Incl. Hubs

<u>Dep</u>	<u>Part Description</u>	<u>Remarks</u>	<u>Option</u>	<u>Part Number</u>	<u>Qty</u>
31	Ball Joint	Includes nyloc nut		A111C6012F	4
32	Nyloc Nut, ball joint fix			A111C6019S	2
33	Pivot Bolt, M10 x 80, hex. hd., wishbone upper front			A075W2061Z	2
34	Washer, flat, M10 x 20.5 x 1.8,			A075W4024Z	8
35	Nut, nyloc, M10, wishbone upper to chassis			A100W3112F	4
36	Shim, castor adjustment			A111C0077F	6
37	Snubber Washer, rubber coated, upper wishbone			A111C0081F	2
38	Shim, castor adjustment, small			A111C0080F	8
39	Pivot Bolt, M10 x 75mm, hex. hd., wishbone upper rear			A075W2059Z	2
40	Nut, nyloc, M10, wishbone lower to chassis fix			A100W3112F	4
41	Washer, flat, M10 x 20.5 x 1.8,			A075W4024Z	4
42	Wishbone Assembly, lower, LH	Includes balljoint & bushes		A111C0115J	1
42a	Wishbone Assembly, lower, RH	Includes balljoint & bushes		A111C0114J	1
43	Anti-Roll Bar Drop Link			A111C0063F	2
44	Washer, flat, M10 x 24 x 1.5, drop link fix			A075W4023F	2
45	Nyloc Nut, M10 x 1.25, drop link fix			A111W3152F	2
46	Pivot Bolt, M10 x 85, hex. hd., wishbone lower	Lower front, used with rubber A/R bar pivot bushes	From VIN: W3039	A079W2063F	4
47	Washer, flat, M10 x 20.5 x 1.8			A075W4024Z	4
48	Washer, flat, M10			A111W4163F	6

ELISE

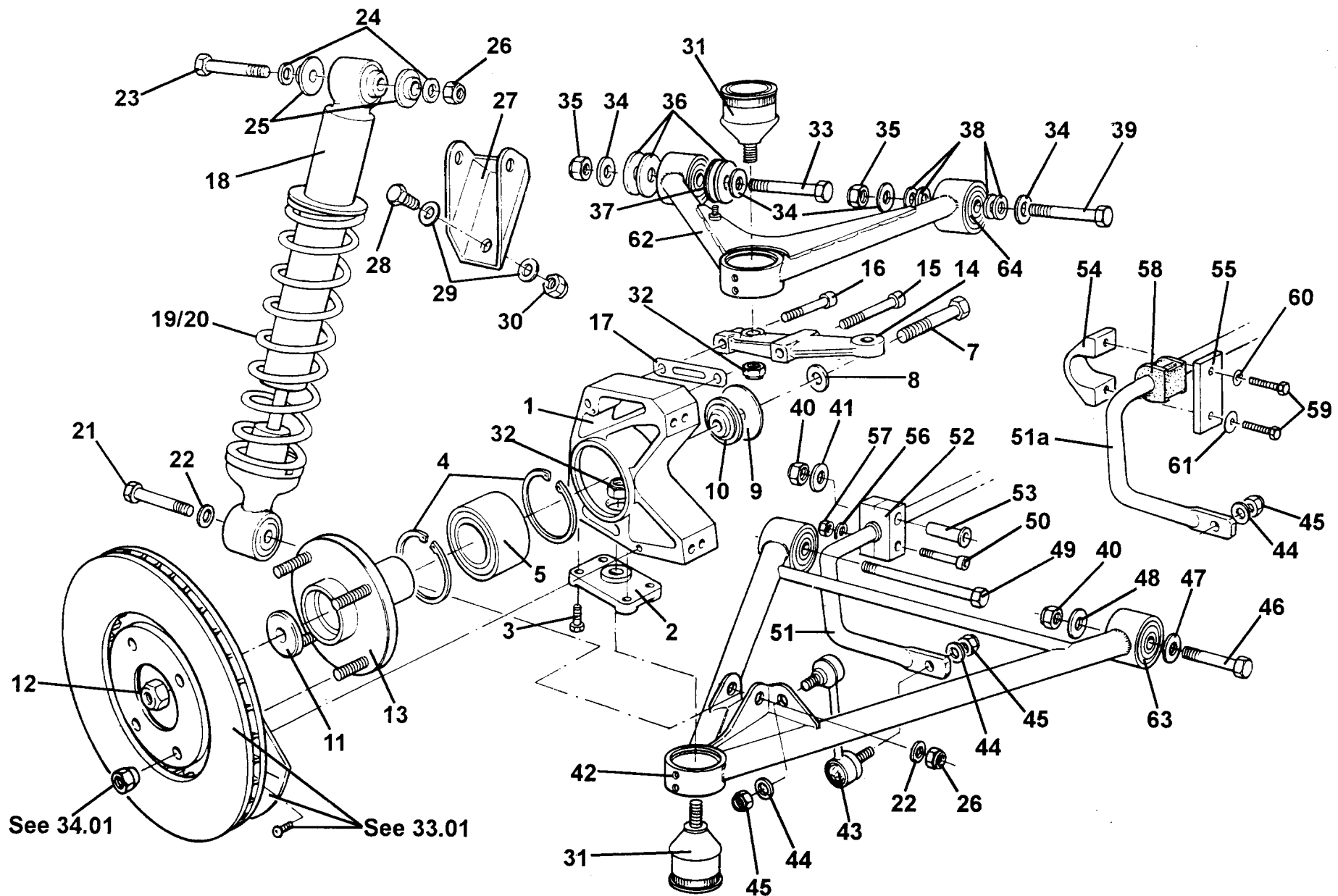


ELISE
31.01

Function Code 31.01 Front Suspension Incl. Hubs

<u>Dep</u>	<u>Part Description</u>	<u>Remarks</u>	<u>Option</u>	<u>Part Number</u>	<u>Qty</u>
49	Pivot Bolt, , M10 x 130, hex. hd., wishbone lower front	Used with nylon A/R bar pivot blocks	Prior to VIN: W 3039, & MOTORSPORT	A075W2065F	2
50	Bolt, M5 x 45, cap hd., A/R bar pivot block fix			A082W2106F	2
51	Anti-Roll Bar, uses nylon pivot blocks		Prior to VIN: W 3039	A111C0054F	1
51a	Anti-Roll Bar, uses rubber pivot blocks		From VIN: W3039	A111C0111F	1
51b	Anti-Roll bar, sport (adjustable)	Uses nylon pivot blocks: see S/N section XA	MOTOR SPORT	A111C0134S	1
52	Mounting Clamp, nylon, A/R bar		Prior to VIN: W 3039	B111C0052F	1
53	Bush, 'top hat', A/R bar nylon pivot block		Prior to VIN: W 3039	A111C0060F	2
54	Clamp Bracket, A/R bar		From VIN: W 3039	A111C0107F	2
55	Spacer Plate, A/R bar fixing		From VIN: W 3039	A111C0109F	2
56	Washer, flat, M5 x 10 x 1, A/R bar nylon pivot block		Prior to VIN: W 3039	A075W4011Z	2
57	Nyloc Nut, M5, A/R bar, nylon pivot block		Prior to VIN: W 3039	A100W3113F	2
58	Pivot Bush, rubber, A/R bar.		From VIN: W 3039	A111C0094F	2
59	Screw, M8 x 30, A/R bar clamp bracket fixing		From VIN: W 3039	A111W1161F	4
60	Washer, flat, M8		From VIN: W 3039	A111W4169F	2
61	Washer, flat, M8 x 25 x 1.4		From VIN: W 3039	A111W4156F	2
62	Wishbone assembly, upper LH	Includes balljoint & bushes		A111C0113J	1
62a	Wishbone assembly, upper RH	Includes balljoint & bushes		A111C0112J	1
63	Bush, lower wishbone/upper wishbone front pivots			A111C0075F	6
64	Bush, upper wishbone rear pivot			A111C0108F	2

ELSE



ELISE
31.01

Function Code 31.01 Front Suspension Incl. Hubs

<u>Dep</u>	<u>Part Description</u>	<u>Remarks</u>	<u>Option</u>	<u>Part Number</u>	<u>Qty</u>
65	Sport Spring/Damper Kit, front and rear	Not illustrated *VIN: V1685 (approx.) plus 1672, 1673, 1677, 1682. less 1694, 1708	MOTOR SPORT	A111C0138S	1

ELSE

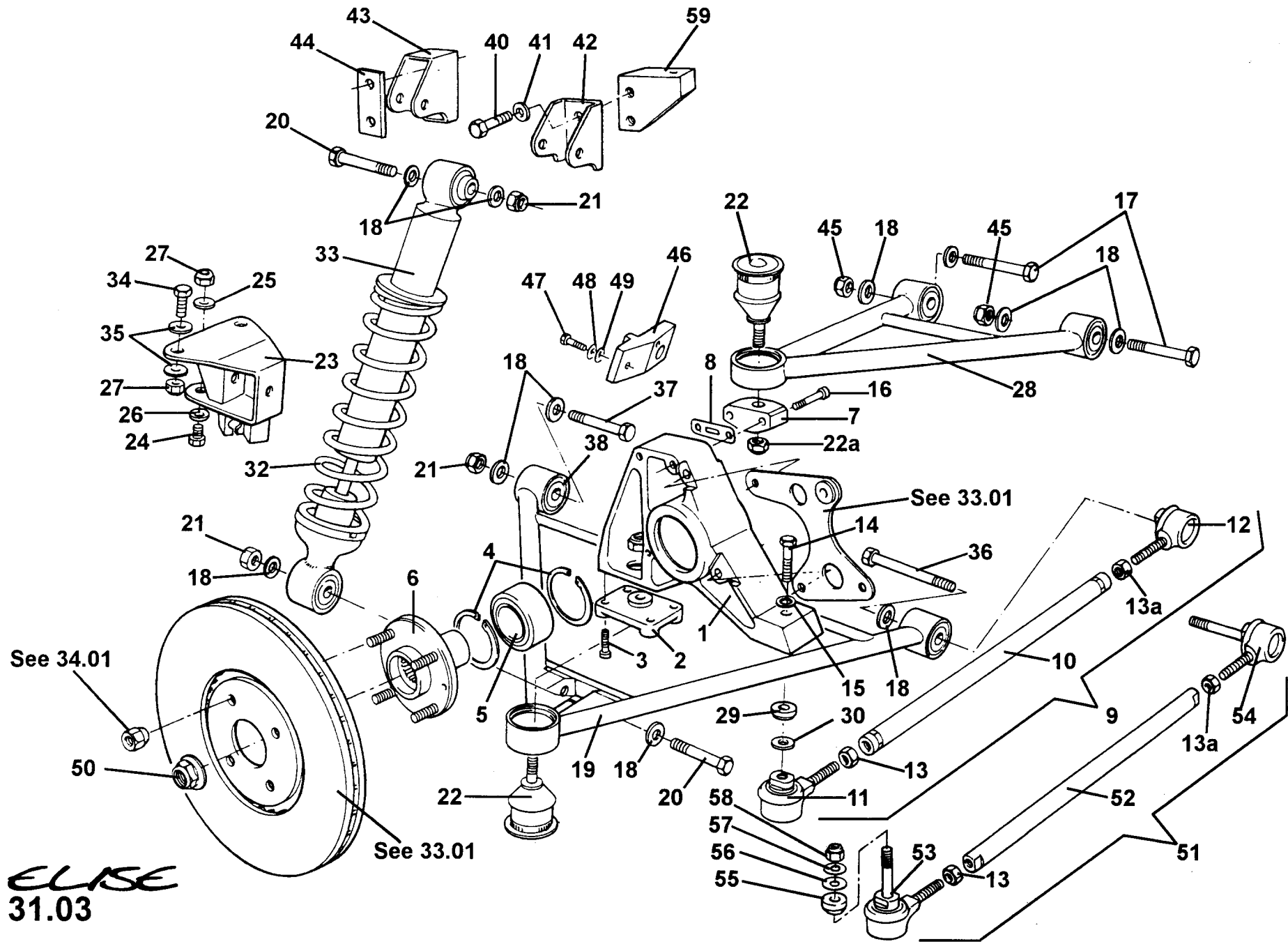
Service Parts List *ELISE*



Function Code 31.03 Rear Suspension Incl. Hubs

<u>Dep</u>	<u>Part Description</u>	<u>Remarks</u>	<u>Option</u>	<u>Part Number</u>	<u>Qty</u>
01	Hub Carrier Assembly, LH	Including bearing		A111D0139J	1
01a	Hub Carrier Assembly, RH	Including bearing		A111D0138J	1
02	Ball Joint Carrier, lower			B111D0049F	2
03	Screw, M10 x 30 hex. hd., ball joint carrier to hub carrier			A111W1158F	8
04	Circlip			A111C6016F	4
05	Bearing			A111C6002F	2
06	Hub Assembly	Including studs		A111C6001F	2
07	Upper Ball Joint Carrier			B111D0055F	2
07a	Upper Ball Joint Carrier	Increase negative camber	MOTOR SPORT	A111D0128S	2
08	Shim, camber adjustment			B111D0052F	As req.
08a	Shim, camber adjustment		MOTOR SPORT	D111D0052F	As req.
09	Toe Link Assembly		B111D0037J R/B item 51 *	C111D0037J	2
10	Toe Link Rod		A111D0050K R/B item 52 *	A111D0137F	2
11	Ball Joint, tapped type, outer RH thread	Check for RH thread before ordering	A111D0064F R/B item 53 Ball Joint Kit, stud type *	A111D0140J	2
12	Ball Joint, tapped type, inner, LH thread	Check for LH thread before ordering	A111D6063F R/B item 54 Ball Joint Kit, stud type *	A111D0141J	2
13	Locknut, M12, RH thread, ball joint			A111W3150F	2
13a	Locknut, M12, LH thread, ball joint			A111W3149F	2

ELISE



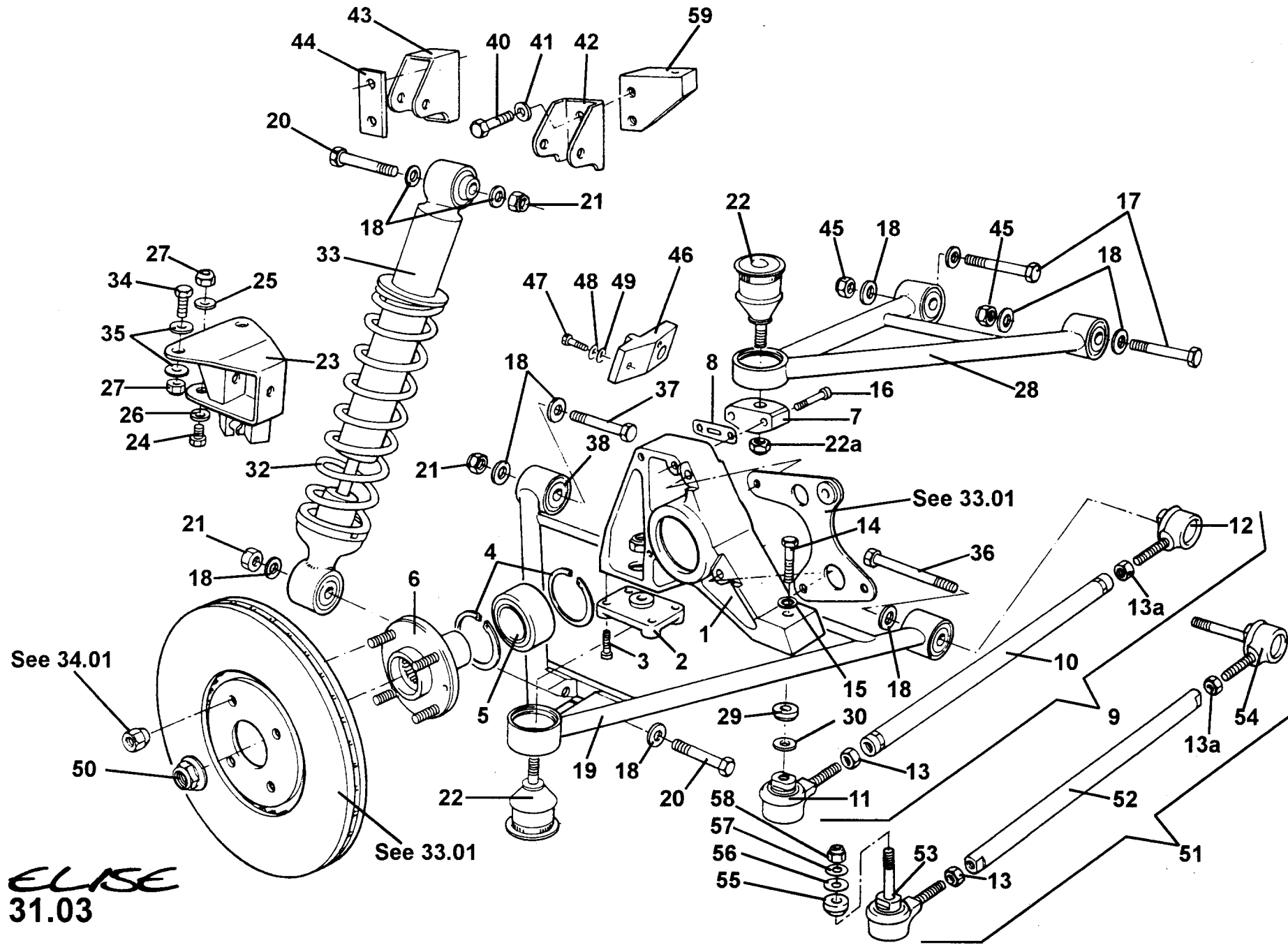
ELISE
31.03

Function Code 31.03 Rear Suspension Incl. Hubs

<u>Dep</u>	<u>Part Description</u>	<u>Remarks</u>	<u>Option</u>	<u>Part Number</u>	<u>Qty</u>
14	Bolt, M10 x 65, hex. hd., hub carrier to track control arm	4 or 5 shim washers *		A111D0065F	2
14a	Bolt M10 x 60, hex. hd., hub carrier to track control arm	1,2 or 3 shim washers *		A111D0054F	2
15	Washer, flat, M10 x 1.8, beneath bolt head	1,2,3 or 5 shim washers *		A111W4163F	2
15a	Washer, flat, M10 x 3, beneath bolt head	4 shim washers *		A111W4180F	2
16	Bolt, M10 x 50, cap hd., ball joint carrier to hub carrier			A111W7145F	4
17	Pivot Bolt, M10 x 55, hex. hd., upper wishbone F & R			A079W2057F	4
18	Washer, M10, flat			A075W4024Z	22
19	Lower Wishbone Assembly, LH	Includes balljoint & bushes	A111D0005F...R/B	A111D0087J	1
19a	Lower Wishbone Assembly, RH	Includes balljoint & bushes	A111D0006F...R/B	A111D0088J	1
20	Bolt, M10 x 55, hex, hd., spring/damper fixing			A079W2057F	4
21	Nyloc Nut, M10			A100W3112F	8
22	Ball Joint	Includes nyloc nut		A111C6012F	4
22a	Nyloc Nut, ball joint			A111C6019S	4
23	Bracket, wishbone to chassis, LH			B111D0027F	1
23a	Bracket, wishbone to chassis, RH			B111D0026F	1
24	Bolt, bracket to chassis			A111W1156F	2
25	Washer, flat, upper, M8 x 20.5 x 1.5			A111W4176F	2
26	Washer, flat, lower, M8 x 16.6 x 1.4			A111W4164F	2
27	Nut, nyloc			A907E6284F	2
28	Upper Wishbone Assembly, LH	Includes balljoint & bushes	B111D0004F...R/B	A111D0085J	1
28a	Upper Wishbone Assembly, RH	Includes balljoint & bushes	B111D0004F...R/B	A111D0086J	1

ELISE

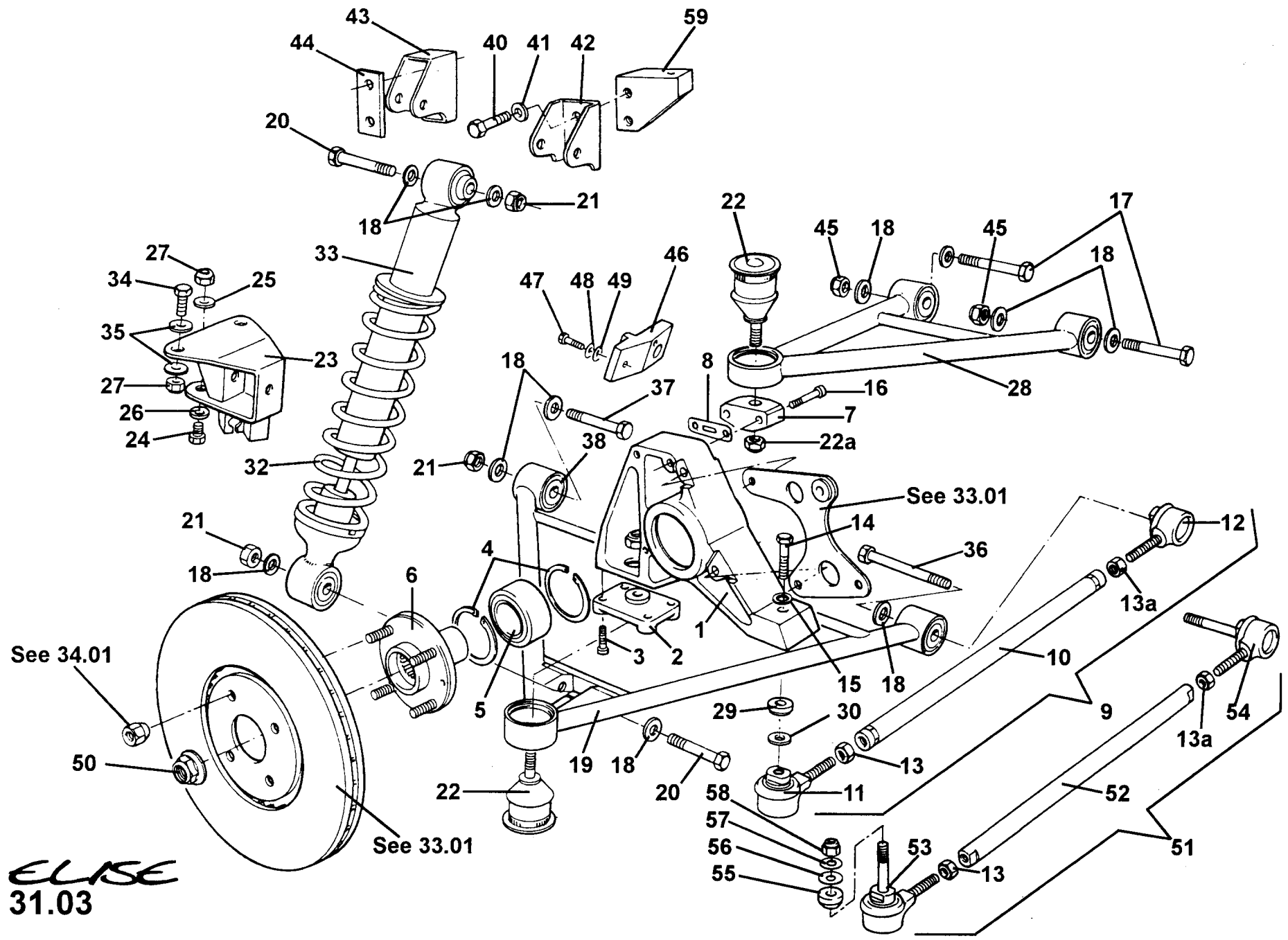
ELISE
31.03



Function Code 31.03 Rear Suspension Incl. Hubs

<u>Dep</u>	<u>Part Description</u>	<u>Remarks</u>	<u>Option</u>	<u>Part Number</u>	<u>Qty</u>
29	Spacer, conical, track control arm to hub carrier			A111D0043F	2
30	Shim, bump steer adjustment			A111D0044F	As req.
31	Washer, flat, 10 x 21 x 2			A111W4163F	2
32	Road spring, (parallel)		Prior to VIN: W3580	B111D0057F	2
32a	Road Spring, (barrel)		From VIN: W3580	A111D0133F	2
32b	Road spring,		MOTOR SPORT	A111D0132F	2
33	Damper			B111D0003F	2
33a	Damper		MOTOR SPORT	B111D0089S	2
34	Screw, M10 x 25, hex. hd., bracket to chassis			A111W1157F	2
35	Washer, flat M10			A111W4163F	4
36	Pivot Bolt, M10 x 70, hex. hd., lower wishbone/toe link fix.			A111D0053F	2
37	Pivot Bolt, M10 x 65, hex. hd., lower wishbone front			A075W2056Z	2
38	Bush, lower wishbone front pivot (short)			A111D0061F	4
39	Bush, lower wishbone rear / upper wishbones			A111C0075F	6
40	Screw, M10 x 30, hex. hd., damper bracket to chassis			A111W1158F	4
41	Washer, flat, M10	Parallel type spring only		A075W4024Z	4
42	Bracket, damper to adaptor block	Parallel springs		C111D0022F	2
43	Bracket, damper to adaptor block	Barrel springs	All Sport 190	A111D0076F	2
44	Spreader Plate, damper bracket	Barrel type spring only		A111D0125F	2
45	Flange Nut, M10			A111W3151F	4
46	Speed Sensor Bracket			B111D0024F	1

ELISE



ELISE
31.03

Function Code 31.03 Rear Suspension Incl. Hubs

<u>Dep</u>	<u>Part Description</u>	<u>Remarks</u>	<u>Option</u>	<u>Part Number</u>	<u>Qty</u>
47	Setscrew, bracket to hub carrier			A075W1029Z	1
48	Washer, spring M6			A075W4035Z	1
49	Washer, flat M6			A075W4013Z	1
50	Flange Nut, hub securing			A100R6002F	2
51	Toe Link Assembly	Includes items 52/53/54		C111D0037J	2
52	Toe Link Rod			A111D0137F	2
53	Ball Joint Kit, stud type (outer) RH thread	Check for RH thread before ordering, incl. items 55/56/57/58		A111D0140J	2
54	Ball Joint Kit, stud type (inner) LH thread	Check for LH thread before ordering, incl. items 55/56/57/58		A111D0141J	2
55	Spacer, conical, track control arm to hub carrier	Used with stud type ball joint		B111D0043F	2
56	Shim, bump steer adjustment	Used with stud type ball joint		A111D0136F	As req.
57	Washer, flat M10 x 20.5 x 1.8	Used with stud type ball joint		A111W4163F	2
58	Nyloc Nut, M10	Used with stud type ball joint		A075W3011Z	2
59	Adaptor Block, bracket to chassis, LH			A111A0003F	1
59a	Adaptor Block, bracket to chassis, RH			A111A0002F	1
60	Uniball Rear Toe Link Kit, alloy hub carrier	Not illustrated, see section 3103b	MOTOR SPORT	A111D0127S	1
61	Uniball Rear Toe Link Kit, steel hub carrier	Not illustrated, see section 3103b	MOTOR SPORT	B111D0127S	1

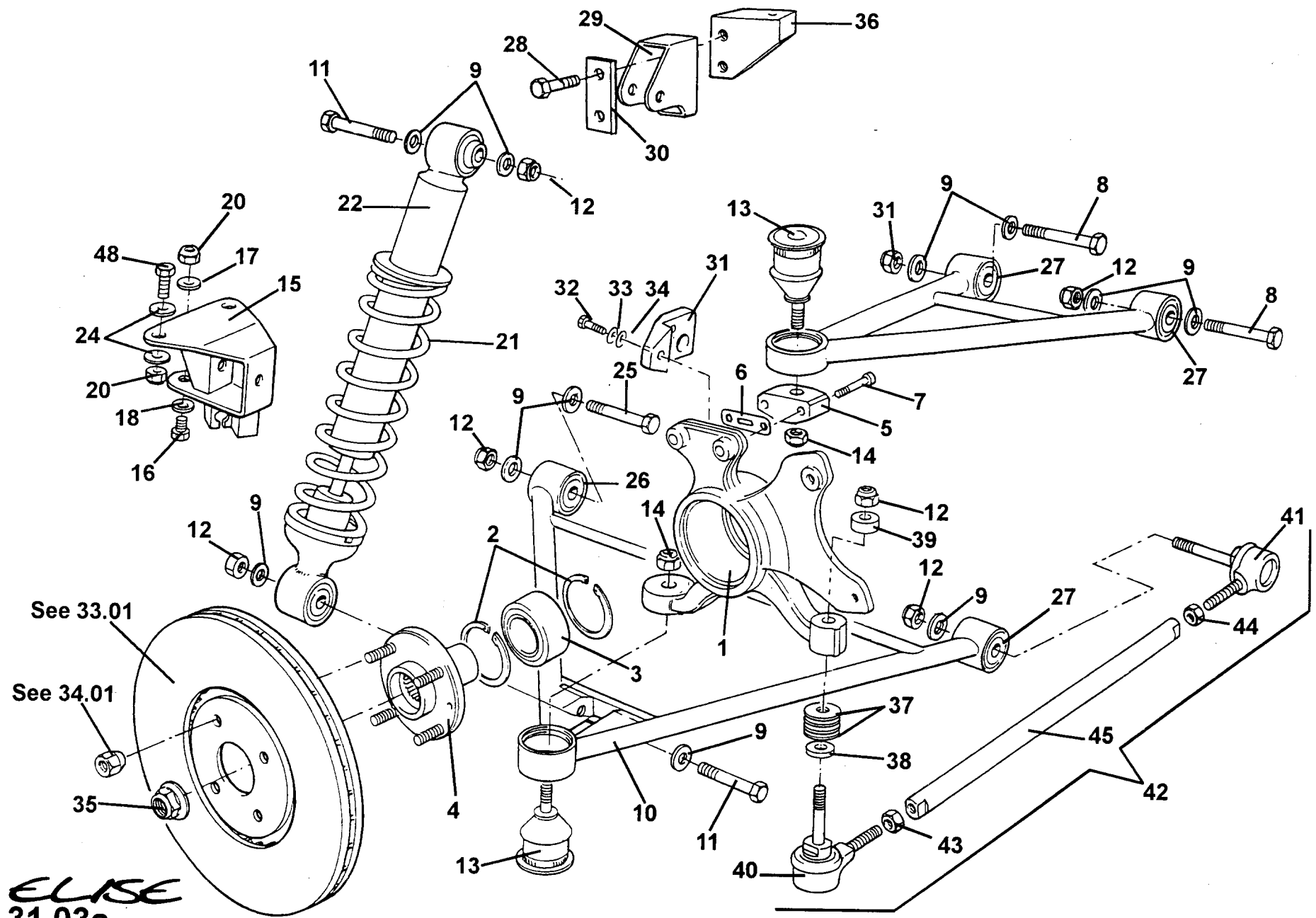
* Refer to Service Notes,
Section DF.4

ELISE

Function Code 31.03a Rear Suspension Incl. Hubs, Steel Hub Carrier

<u>Dep</u>	<u>Part Description</u>	<u>Remarks</u>	<u>Option</u>	<u>Part Number</u>	<u>Qty</u>
01	Hub Carrier, forged steel, LH	Excluding bearings		A111D0143K	1
01a	Hub Carrier, forged steel, RH	Excluding bearings		A111D0142K	1
02	Circlip			A111C6016F	4
03	Bearing			A111C6002F	2
04	Hub Assembly	Including studs		A111C6001F	2
05	Ball Joint Carrier			A111C0055F	2
06	Shim, camber adjustment			B111D0052F	As req.
07	Bolt, M10 x 50, cap hd., ball joint carrier to hub carrier			A111W1745F	4
08	Pivot Bolt, M10 x 55, hex. hd., upper wishbone F & R			A079W2057F	4
09	Washer, flat, M10 x 20.5	Zinc finish		A075W4024Z	22
10	Lower Wishbone Assembly, LH	Includes balljoint & bushes		A111D0087J	1
10a	Lower Wishbone Assembly, RH	Includes balljoint & bushes		A111D0088J	1
11	Bolt, M10 x 55, hex. hd., spring/damper fixing			A079W2057F	4
12	Nyloc Nut, M10			A100W3112F	14
13	Ball Joint	Includes nyloc nut		B111C6012F	4
14	Nyloc Nut, balljoint			A111C6019S	4
15	Bracket, lower wishbone to chassis, LH			B111D0027F	1
15a	Bracket, lower wishbone to chassis, RH			B111D0026F	1
16	Bolt, M8, bracket to chassis			A111W1156F	2
17	Washer, flat, upper, M8 x 20.5 x 1.5 S/S			A111W4176F	2
18	Washer. flat. lower, M8 x 16.6 x1.4			A111W4164F	2

ELISE

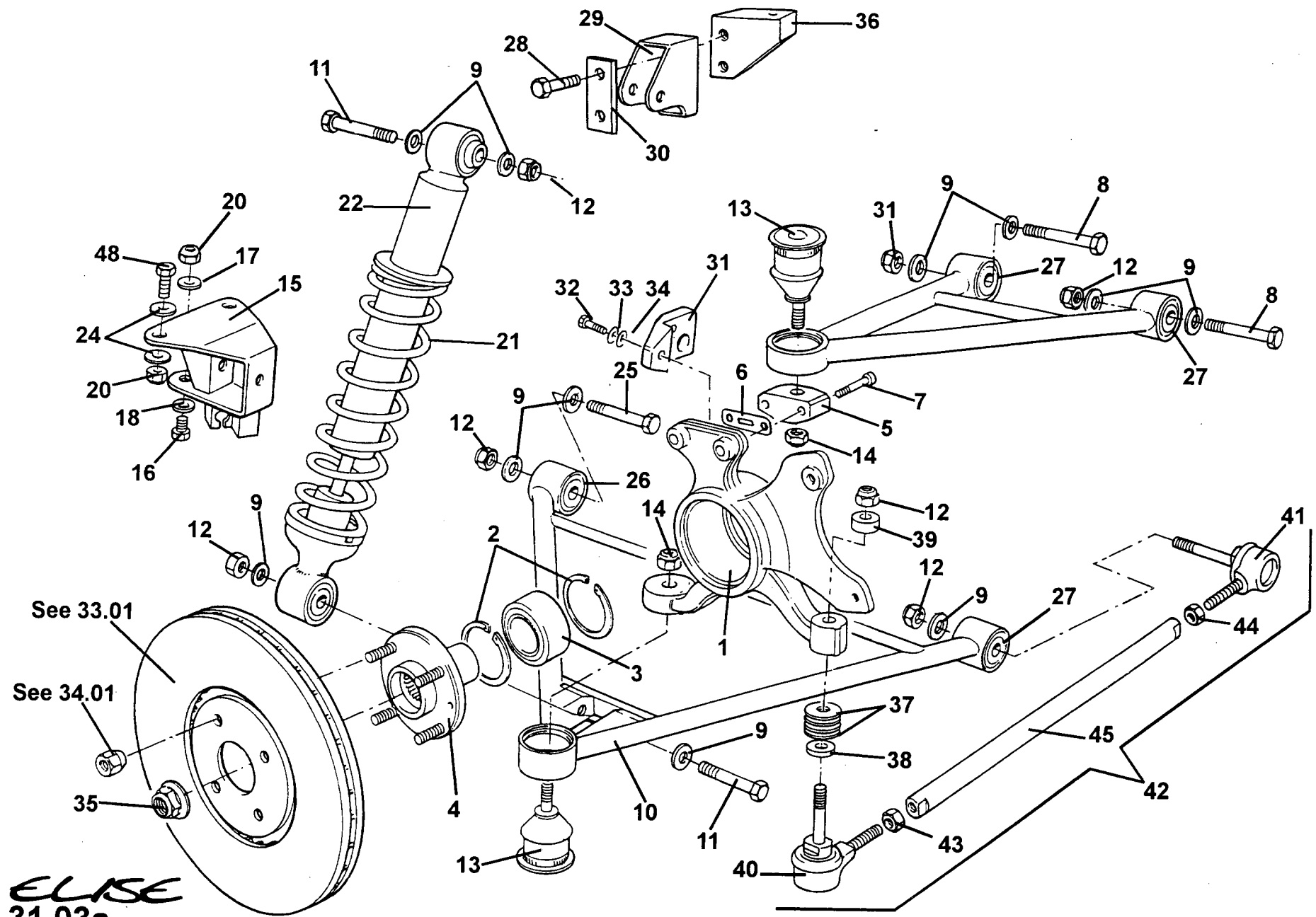


ELISE
 31.03a

Function Code 31.03a Rear Suspension Incl. Hubs, Steel Hub Carrier

<u>Dep</u>	<u>Part Description</u>	<u>Remarks</u>	<u>Option</u>	<u>Part Number</u>	<u>Qty</u>
20	Upper Wishbone Assembly, LH	Includes balljoint & bushes		A111D0085J	1
20a	Upper Wishbone Assembly, RH	Includes balljoint & bushes		A111D0086J	1
21	Road Spring			A111D0133F	2
21a	Road Spring		MOTOR SPORT	A111D0132F	2
22	Damper			B111D0003F	2
22a	Damper		MOTOR SPORT	B111D0089S	2
23	Screw, M10 x 25, hex. hd., bracket to chassis			A111W1157F	2
24	Washer, flat, M10			A111W4163F	4
25	Pivot Bolt, M10 x 65, hex. hd., lower wishbone front			A075W2056F	2
26	Bush, lower wishbone front pivot (short)			A111D0061F	4
27	Bush, lower wishbone rear/upper wishbones			A111C0075F	2
28	Screw, M10 x 30, hex. hd., damper bracket to chassis			A111W1158F	4
29	Bracket, damper top mount			A111D0076F	2
30	Spreader Plate, damper bracket			A111D0125F	2
31	Speed Sensor Mounting Bracket			A111D0148F	1
32	Setscrew, M6 x 25, bracket fix.			A075W1029Z	1
33	Washer, spring, M6			A075W4035Z	1
34	Washer, flat, M6			A075W4013Z	1
35	Flange Nut, hub securing			A100R6002F	2
36	Adaptor Block, bracket to chassis, LH			A111A0003F	1
36a	Adaptor Block, bracket to chassis, RH			A111A0002F	1

ELISE



ELISE
 31.03a

Function Code 31.03a Rear Suspension Incl. Hubs, Steel Hub Carrier

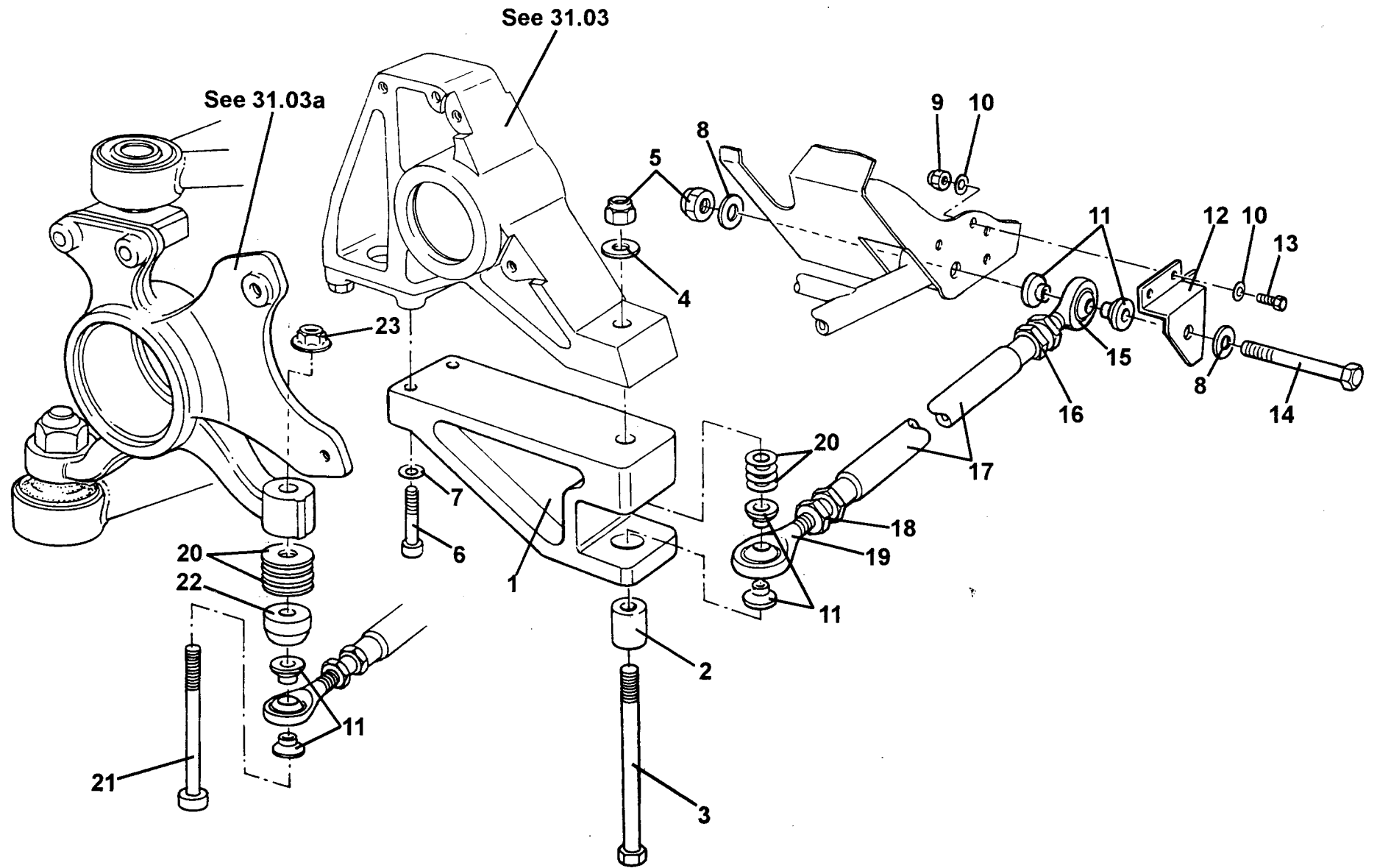
<u>Dep</u>	<u>Part Description</u>	<u>Remarks</u>	<u>Option</u>	<u>Part Number</u>	<u>Qty</u>
37	Shim, 1mm, bump steer adjustment			A111D0044F	8
38	Spacer, 3mm, toe link to hub carrier			A111D0146F	2
39	Spacer, 10mm, toe link stud to nut			A111D0147F	2
40	Ball Joint, outer, RH thread			A111D0134F	2
41	Ball Joint, outer, LH thread			A111D0135F	2
42	Toe Link Assembly			C111D0037J	2
43	Locknut, M12, RH thread, ball joint to rod			A111W3150F	2
44	Locknut, M12, RH thread, ball joint to rod			A111W3149F	2
45	Toe Link Rod			A111D0137F	2

ELISE

Function Code 31.03b Uniball Rear Toe Link Kit (MOTORSPORT)

<u>Dep</u>	<u>Part Description</u>	<u>Remarks</u>	<u>Option</u>	<u>Part Number</u>	<u>Qty</u>
01	Mounting Bracket, alloy, uniball toe link to hub carrier	For alloy hub carrier kit	Prior to VIN* (see below)	A111D0126S	2
02	Sliding Spacer, mounting bracket	For alloy hub carrier kit	Prior to VIN* (see below)	A111D0129S	2
03	Bolt, M10 x 110, hex. hd., toe link/brkt. to hub carrier	For alloy hub carrier kit	Prior to VIN* (see below)	A075W2066F	2
04	Washer, flat M10 x 20.5, toe link/brkt. to hub carrier	Black finish, alloy hub carrier kit	Prior to VIN* (see below)	A111W4163F	2
05	Nyloc Nut, M10			A100W3112F	4
06	Bolt, M10 x 45, cap hd., bracket/ball joint carrier fix.			A111W7160F	4
07	Washer, flat, M10			A111C0080F	4
08	Washer, flat, M10 x 20.5 x 1.8	Zinc finish		A075W4024Z	4
09	Nyloc Nut, M6, support bracket to chassis			A075W3009Z	8
10	Washer, M6 x 12.1 x 1.4, support bracket to chassis			A075W4013Z	16
11	Conical Spacer, uniball pivots			A111D0092S	8
12	Support Bracket, toe link to chassis			A111D0099S	2
13	Setscrew, M6 x 16, support bracket to chassis			A075W1028Z	8
14	Bolt, M10 x 20.5, wishbone/toe link inboard pivot			A075W2060Z	2
15	Uniball Bearing, LH thread			A111D6009S	2
16	Lock Nut ½" UNF, LH thread			A111W3160F	2
17	Toe Link			A111D0097S	2
18	Lock Nut ½" UNF, RH thread			A075W3017Z	2
19	Uniball Bearing, RH thread			A111D6010S	2
20	Shim, 1mm, bump steer adjustment			A111D0044F	8
21	Bolt, M10 x 80, toe link to hub carrier	For steel hub carrier kit	From VIN* (see below)	A111W7184F	2

ELSE



ELISE
31.03b

Function Code 31.03b Uniball Rear Toe Link Kit (MOTORSPORT)

<u>Dep</u>	<u>Part Description</u>	<u>Remarks</u>	<u>Option</u>	<u>Part Number</u>	<u>Qty</u>
22	Spacer, toe link to hub carrier	For steel hub carrier kit	From VIN* (see below)	B111D0043F	2
23	Nut, M10 x 1.5, kaylock, toe link to hub carrier	For steel hub carrier kit	From VIN* (see below)	A089W3082F	2
24	Uniball Toe Link Kit, alloy hub carrier		Prior to VIN* (see below)	A111D0127S	1
25	Uniball Toe Link Kit, steel hub carrier		From VIN* (see below)	B111D0127S	1

*VIN: X8155 (approx.), plus 2000
MY cars, starting VIN: Y0001

ELISE

Service Parts List *ELISE*



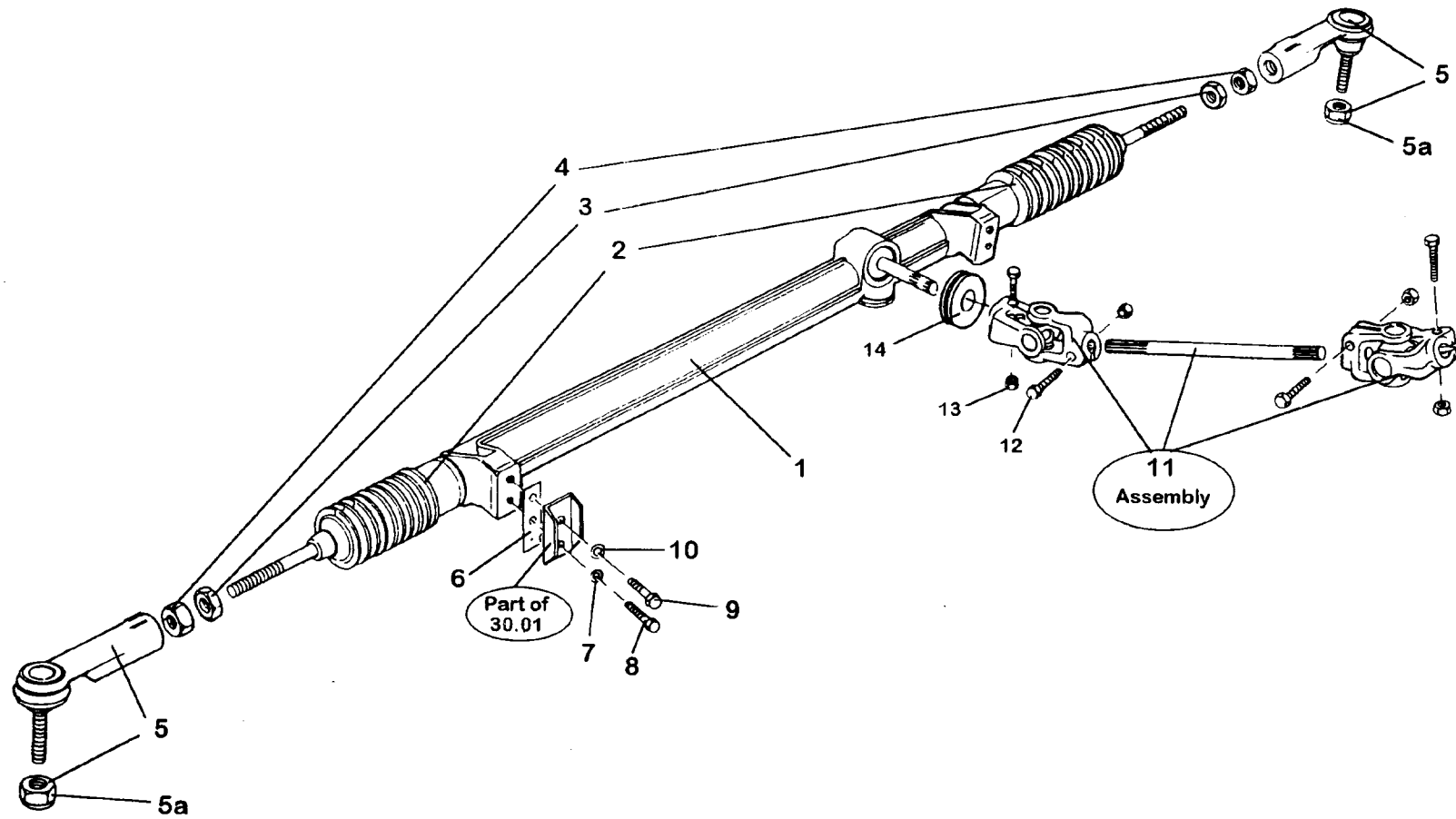
Function Code 32.01 Manual Steering Unit & Lower column shaft / joints

<u>Dep</u>	<u>Part Description</u>	<u>Remarks</u>	<u>Option</u>	<u>Part Number</u>	<u>Qty</u>
01	Steering Rack Assembly - RHD			C111H0010F	1
01a	Steering Rack Assembly - LHD			C111H0009F	1
02	Gaiter - steering rack			A111H6016F	2
03	Lock-nut (½ nut) M12 , track rod end to tie rod			A111W3150F	2
04	Lock-nut, M12 , track rod end to tie rod			A111W3124F	2
05	Track Rod End Assembly			A111H6015F	2
05a	Nut, M10 nyloc			A111W3157F	2
06	Adjuster Plate - Rack Height Setting		Selective range to A111H0021F	A111H0011F	As Req
07	Washer M8 - Rack-mount			A075W4020Z	2
08	Setscrew M8 x 25 - Rack-mount			A082W1110F	2
09	Setscrew M10 x 30 - Rack-mount			A100A6028F	2
10	Washer M10 - Rack-mount			A075W4024Z	2
11	Steering Shaft - Intermediate assembly			B111H0003F	1
12	Bolt M8 x 40 - Steering Shaft / U/J pinch bolt, 10.9 grade			A918E2171F	4
13	Nyloc Nut M8 - Steering Shaft			A075W3010Z	4
14	Grommet - Steering shaft to bulkhead			A082H6046F	1

ELISE

Issued: 12-Nov-98

Function Code: 32.01, Page: 1



ELISE

32.01

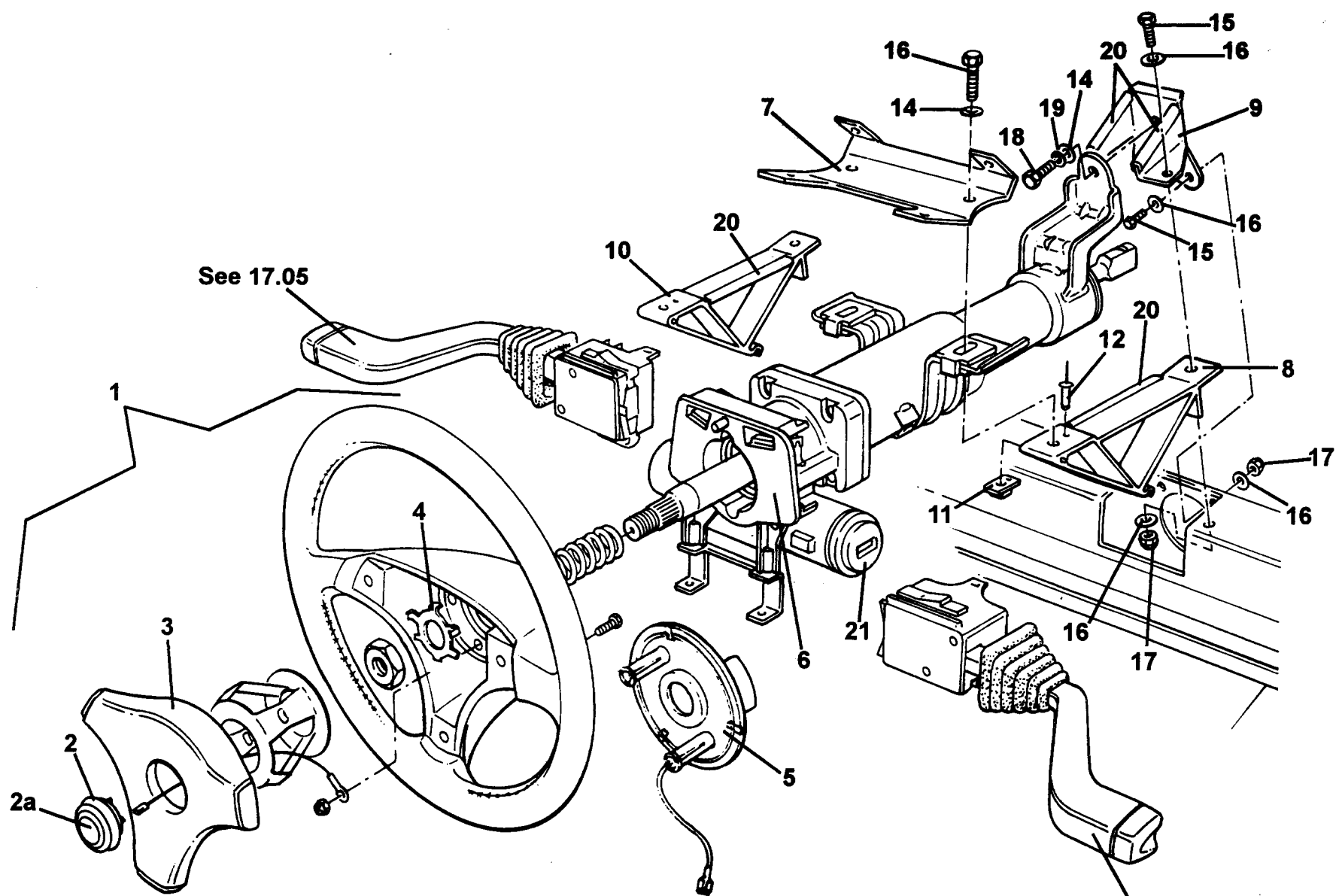
Service Parts List *ELISE*



Function Code 32.05 Upper Column & Wheel, Lock & Ignition Switch.

<u>Dep</u>	<u>Part Description</u>	<u>Remarks</u>	<u>Option</u>	<u>Part Number</u>	<u>Qty</u>
01	Steering Wheel Assembly			A111H0001F	1
02	Horn Push, (less badge)			A111H6021H	1
02a	Horn Badge			A111H6023H	1
03	Crash Pad			A111H6020H	1
04	Lock Plate, steering wheel			A111H6009F	1
05	Horn Contact Plate			A111H6008F	1
06	Upper Steering Column	Includes ign, switch/steering lock assy.		A111H6007F	1
07	Bracket, upper steering column			B111H0006F	1
08	Column Mounting Bracket, RH			A111A0098F	1
09	Bracket, forward column mounting			B111H0004F	1
10	Column Mounting Bracket, LH			A111A0097F	1
11	Nutplate, upper column support			B111H0007F	2
12	Pop Rivet, nutplate to bracket			A111W6586F	2
13	Bolt, M8 x 35, hex. hd., column to bracket			A075W2038D	2
14	Washer, flat, M8 x 20 x 2.5			A079W4019F	3
15	Setscrew, M6 x 16, side to forward brk/chassis			A075W1028Z	4
16	Washer, flat, M6 x 12.1 x 1.4			A075W4013Z	8
17	Nyloc Nut, M6			A907E6258F	4

ELISE



ELISE
32.05

See 17.05

Function Code 32.05 Upper Column & Wheel, Lock & Ignition Switch.

<u>Dep</u>	<u>Part Description</u>	<u>Remarks</u>	<u>Option</u>	<u>Part Number</u>	<u>Qty</u>
18	Setscrew, M8 x 16 hex. hd., front mounting			A075W1036Z	1
19	Washer, spring, M8			A075W4036Z	1
20	Rubber Beading, bracket edge protection			B075U6054V	300mm
21	Ignition Switch/Steering Lock			A111H6003S	1

ELISE

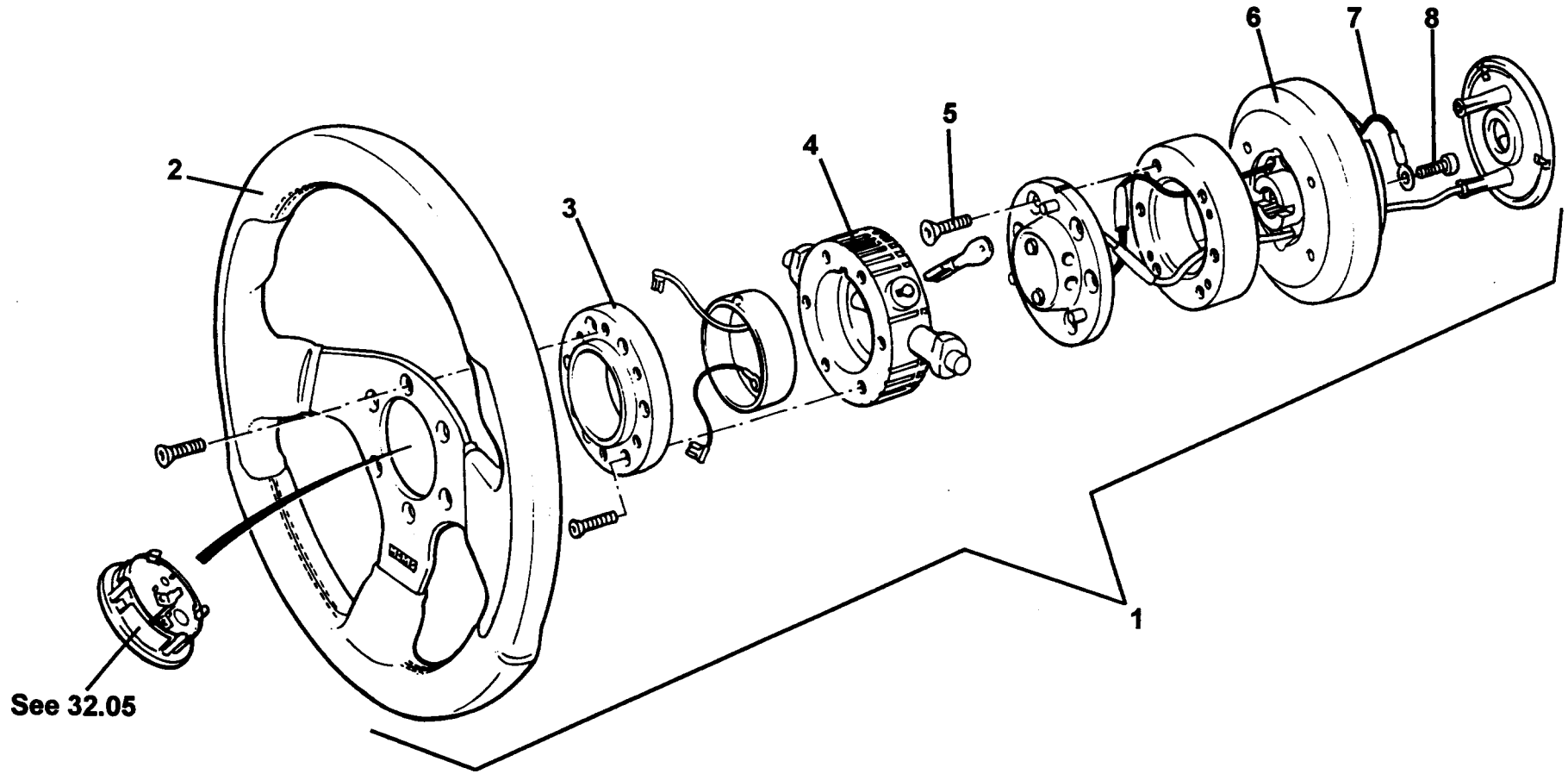
Service Parts List *ELISE*



Function Code 32.06 Motorsport Steering Wheel Kit

<u>Dep</u>	<u>Part Description</u>	<u>Remarks</u>	<u>Option</u>	<u>Part Number</u>	<u>Qty</u>
01	Removeable Steering Wheel Kit, red	Track use only	MOTORSPORT	A111H0026J	1
01a	Removeable Steering Wheel Kit, black	Track use only	MOTORSPORT	A111H0027J	1
02	Steering Wheel, red	Track use only	MOTORSPORT	A111H6017S	1
02a	Steering Wheel, black	Track use only	MOTORSPORT	A111H6025S	1
03	Spacer, wheel to locking ring	Track use only	MOTORSPORT	A111H0025S	1
04	Locking Ring	Track use only	MOTORSPORT	A111H6019S	1
05	Screw, M6 x 20 skt. csk., spigot hub fix.	Track use only	MOTORSPORT	A918E7120F	6
06	Splined Hub	Track use only	MOTORSPORT	A111H6018S	1
07	Horn Earth Extension	Track use only	MOTORSPORT	A111H0114S	1
08	Screw, M6 x 20 cap hd., splined hub to spacer	Track use only	MOTORSPORT	A082W7041F	4

ELISE



ELISE
32.06

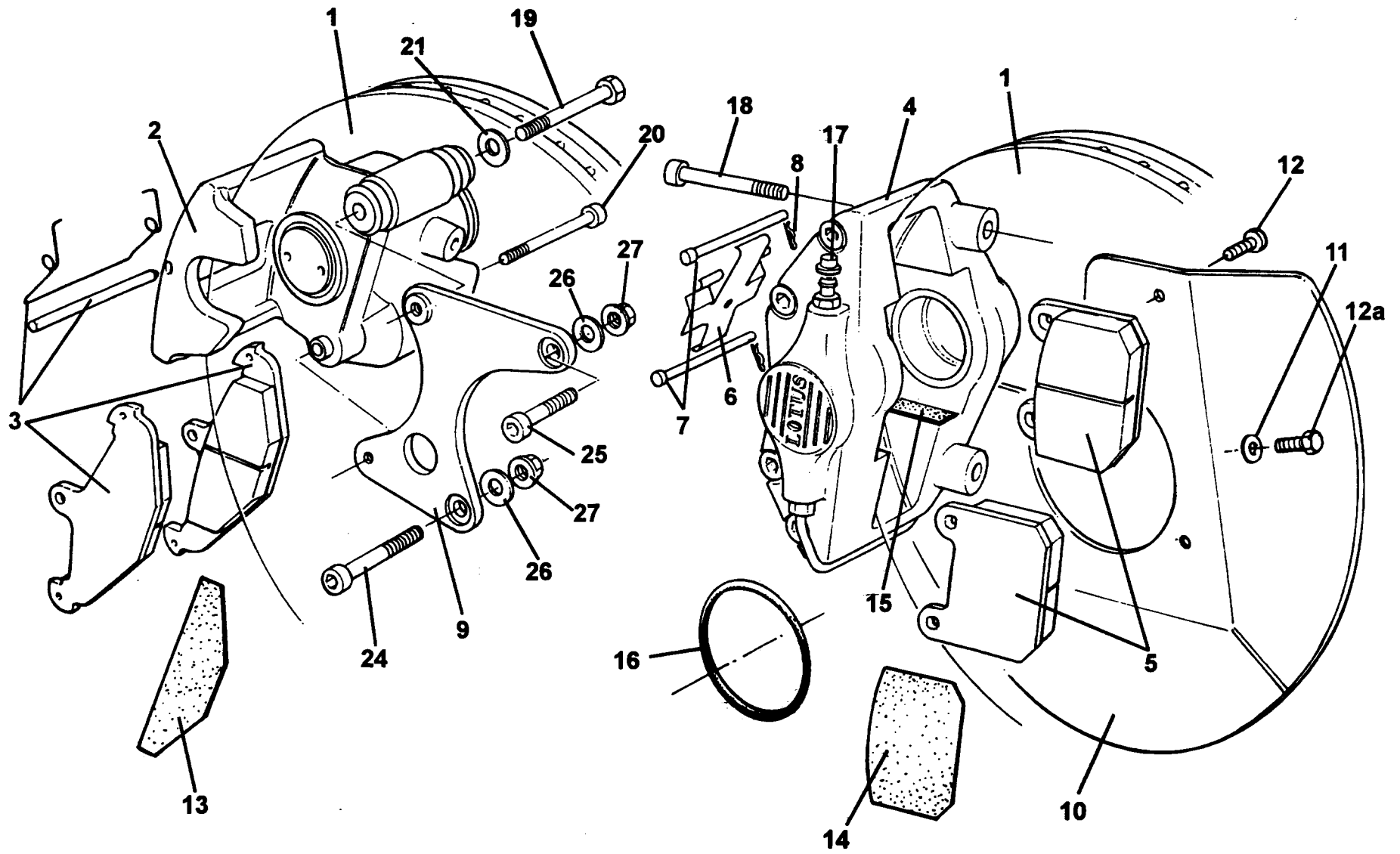
Service Parts List *ELISE*



Function Code 33.01 Brake Discs & Calipers

<u>Dep</u>	<u>Part Description</u>	<u>Remarks</u>	<u>Option</u>	<u>Part Number</u>	<u>Qty</u>
01	Brake Disc, alloy	Prior VIN: W 3714 (June '98)	Alloy discs	E111J0089F	4
01a	Brake Disc, iron	From VIN: W 3714 (June '98)	Cast iron discs (road)	A111J0128F	4
01b	Brake Disc, iron	Cross drilled	MOTORSPORT, Sport 135, 111S	A111J0141F	4
02	Brake Caliper, rear, RH			A082J6150F	1
02a	Brake Caliper, rear, LH			A082J6151F	1
02b	Piston Retraction Tool, rear calipers	Not illustrated		T000T1242F	1
03	Brake Pad Set ,rear	Alloy brake discs		A111J0100S	1
03a	Brake Pad Set, rear	Iron brake discs		A111J0154S	1
03b	Brake Pad Set, rear	Iron brake discs	MOTOR SPORT	A111J0151S	1
04	Brake Caliper, front RH	Less brake pads		A111J0120F	1
4a	Brake Caliper, front LH	Less brake pads		A111J0119F	1
05	Brake Pad Set, front (includes items 6, 7, 8)	Alloy brake discs		A111J0099S	1
05a	Brake Pad Set, front	Iron brake discs		A111J0153S	1
05b	Brake Pad set, front	Iron brake discs	MOTOR SPORT	A111J0150S	1
06	Anti-Rattle Spring, front brake pads			A111J0098F	2
07	Pin, front pad retaining			A111J0101S	4
08	' R' clip, pin retention	Replaces split pins		A075W6175F	4
09	Adaptor Plate, rear caliper, RH			C111J0004F	1

ELISE

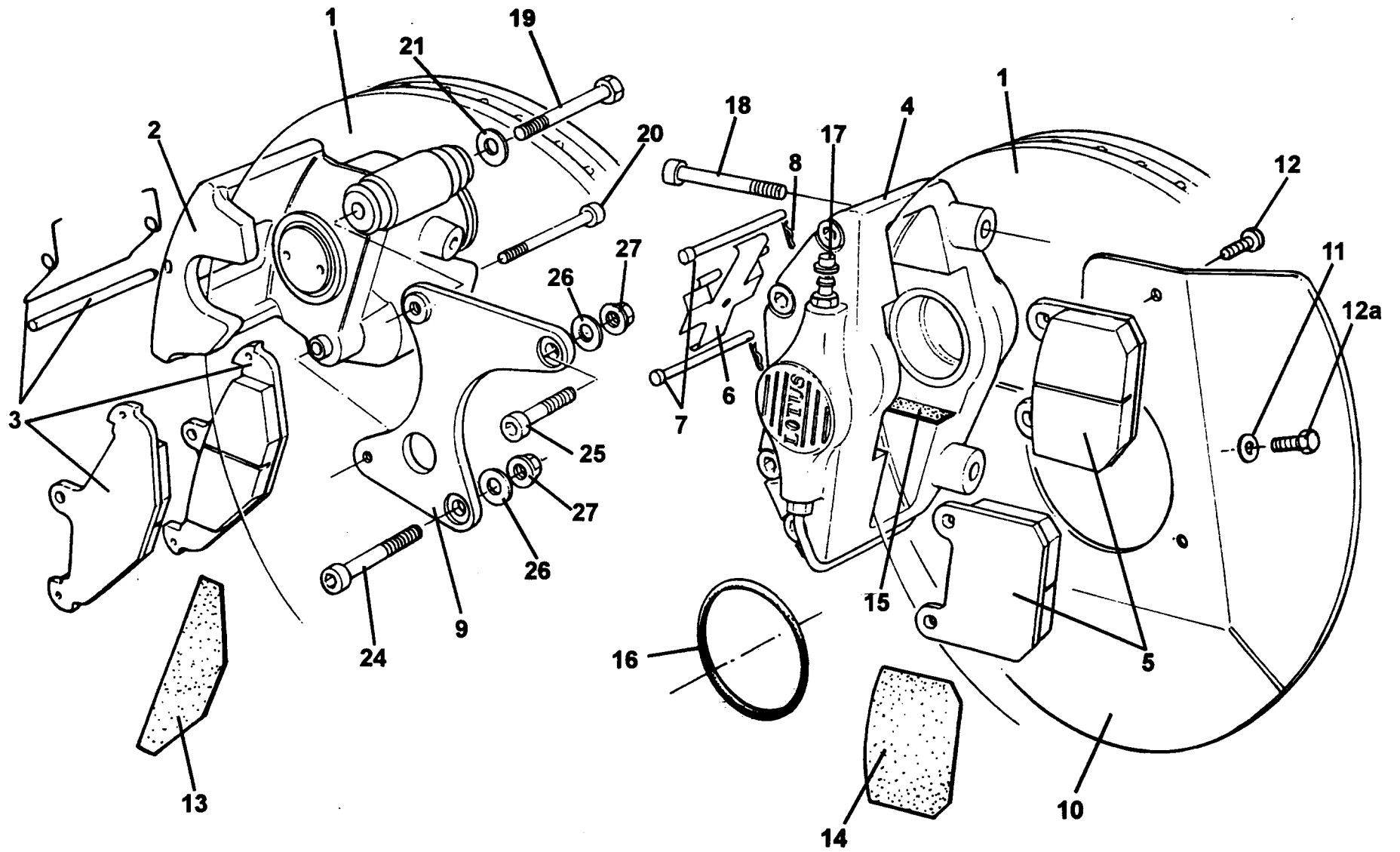


ELISE
33.01

Function Code 33.01 Brake Discs & Calipers

Dep	Part Description	Remarks	Option	Part Number	Qty
09a	Adaptor Plate, rear caliper, LH			C111J0003F	1
10	Brake Disc Shield, front, RH	From VIN: W 2260		A111J0126F	1
10a	Brake Disc Shield, front, LH	From VIN: W 2260		A111J0125F	1
10b	Brake Disc Shield, front, RH	Retro fit, prior VIN: W2260		A111J0130J	1
10c	Brake Disc Shield, front, LH	Retro fit, prior VIN: W 2260		A111J0129J	1
11	Washer, M5 x 10 x 0.8 mm	Retro fit only		A111W4168F	2
12	Button Head Screw, M5 x 16 mm, shield fixing	All shields (4 used on retro fit)		A111W7156	6
12a	Setscrew, M5 x 12 mm, shield fixing	Retro fit only		A111W1160F	2
13	Overlay, Anti squeal, rear brake pads	Alloy brake discs		A111J0121F	4
14	Overlay, Anti squeal, front brake pads	Alloy brake discs		A111J0122F	4
15	Buffer, front brake pads			A111J6030S	4
16	'O'ring, brake disc to hub			A111J6024F	4
17	Nipple Cover, front brake bleed			A111J6029F	2
18	Bolt, M10 x 75, cap hd., front caliper fixing			A111W7140F	4
19	Bolt, M10 x 80, hex. hd., rear caliper fixing			B082W1113F	2
20	Bolt, M8 x 60, cap hd., rear caliper fixing			B082W1114F	2
21	Washer, flat M10 x 20.5, rear caliper upper fixing bolt			A075W4024Z	2
22	Bolt, M10, low cap hd., adaptor plate to hub carrier	(Not illustrated), use permabond A025	Earlier type hub carriers with tapped holes	A111W7142F	4
23	Bolt, M10 x 60, low cap hd., adaptor plate to hub carrier		Later type hub carriers with thro' bolts	A111W7160F	2

ELISE



ELISE
33.01

Function Code 33.01 Brake Discs & Calipers

<u>Dep</u>	<u>Part Description</u>	<u>Remarks</u>	<u>Option</u>	<u>Part Number</u>	<u>Qty</u>
24	Bolt, M10 x 45, low cap hd., adaptor plate to hub carrier		Later type hub carriers with thro' bolts	A111W7161F	2
25	Washer, flat		Used with thro' bolts	A111C0080F	4
26	Nut, M10 x 1.5		Used with thro' bolts	A089W3082F	4

ELSE

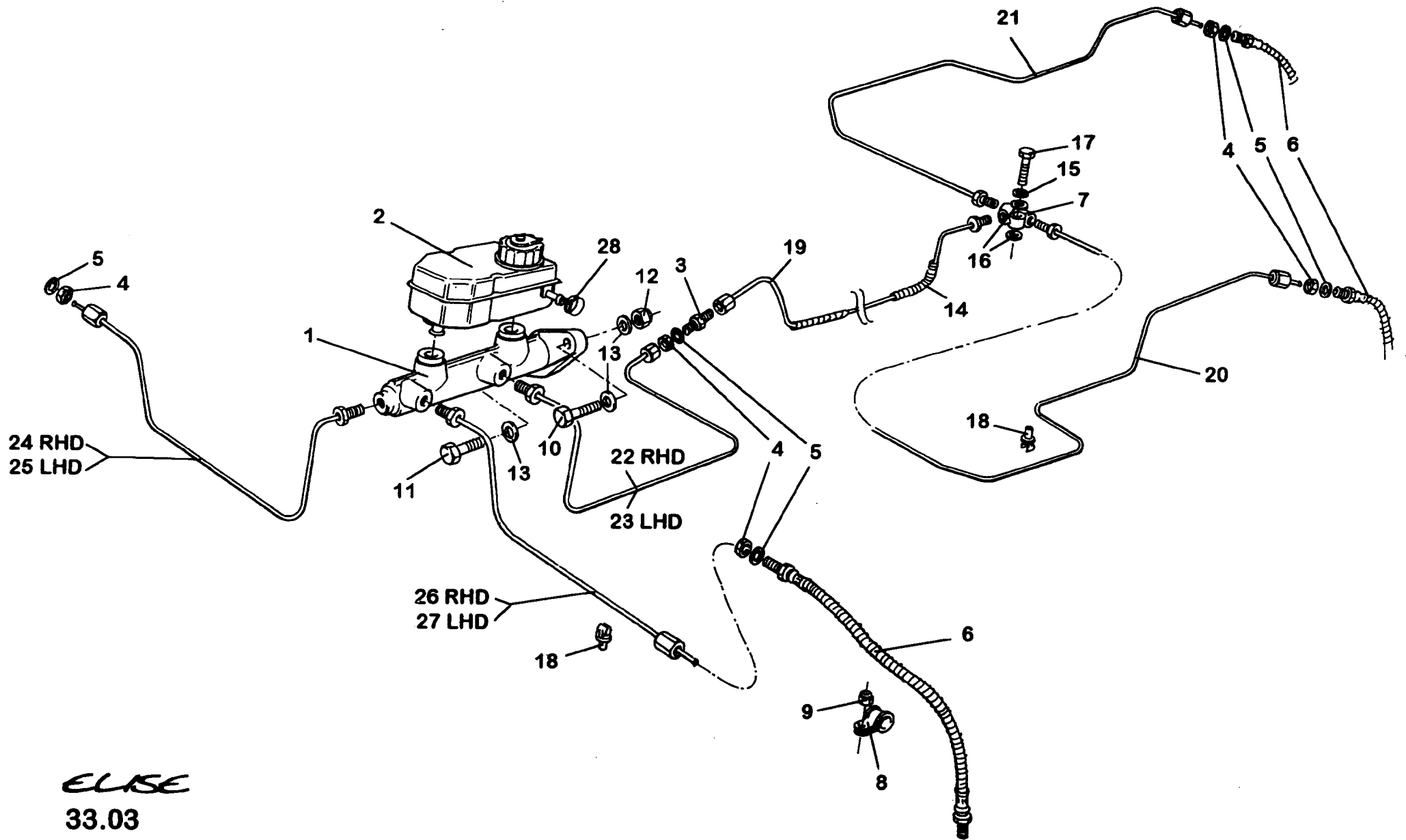
Service Parts List *ELISE*



Function Code 33.03 Master Cylinder, Hoses & Pipes

<u>Dep</u>	<u>Part Description</u>	<u>Remarks</u>	<u>Option</u>	<u>Part Number</u>	<u>Qty</u>
01	Tandem Master Cylinder			A111J0079F	1
02	Reservoir			A111J6002F	1
03	Bulkhead Connector			A089J6013F	1
04	Nut, M10 x 1.0, thin Zn			A075J6017Z	4
05	Washer, M10, internal shakeproof			A075W4049Z	4
06	Brake Hose, font			A082J4390F	4
07	Connector Three Way, brakepipes			B075J6019F	1
08	Clip, 10dia. x 15 wide, hose retention			A111W6595F	4
09	Nyloc Nut, M6, thin Zn			A907E6285F	4
10	Setscrew, M8 x 25, master cylinder to pedal box			A075W1039Z	1
11	Setscrew, M8 x 20, master cylinder to pedal Box			A075W1038Z	1
12	Nyloc Nut, M8 , master cylinder to pedal pox			A111W3126F	1
13	Washer, flat, M8			A075W4020Z	3
14	Spirathene Protector, front to rear pipe			A111J6023V	800mm
15	Washer, spring, M6			A075W4035Z	1
16	Washer, flat M6 x 12.1 x 1.4			A075W4013Z	2
17	Bolt, M6 x 30, long hex. hd.			A075W2028Z	1
18	Nylon Clip			A075J6027Z	11

ELISE



ELISE
33.03

Function Code 33.03 Master Cylinder, Hoses & Pipes

<u>Dep</u>	<u>Part Description</u>	<u>Remarks</u>	<u>Option</u>	<u>Part Number</u>	<u>Qty</u>
19	Brake Pipe, front to rear			A111J0059F	1
20	Brake Pipe, rear LH			C111J0057K	1
21	Brake Pipe, rear RH			C111J0058K	1
22	Brake Pipe, front main RHD			B111J0060K	1
22a	Brake Pipe, front main LHD			B111J0061K	1
23	Brake Pipe, front RH, RHD			A111J0062F	1
23a	Brake Pipe, front RH, LHD			A111J0064F	1
24	Brake Pipe, front LH,RHD			A111J0063F	1
24a	Brake Pipe, front LH, LHD			B111J0065F	1
25	Hose Clip, reservoir to clutch master cyl. pipe			TBA	1

ELISE

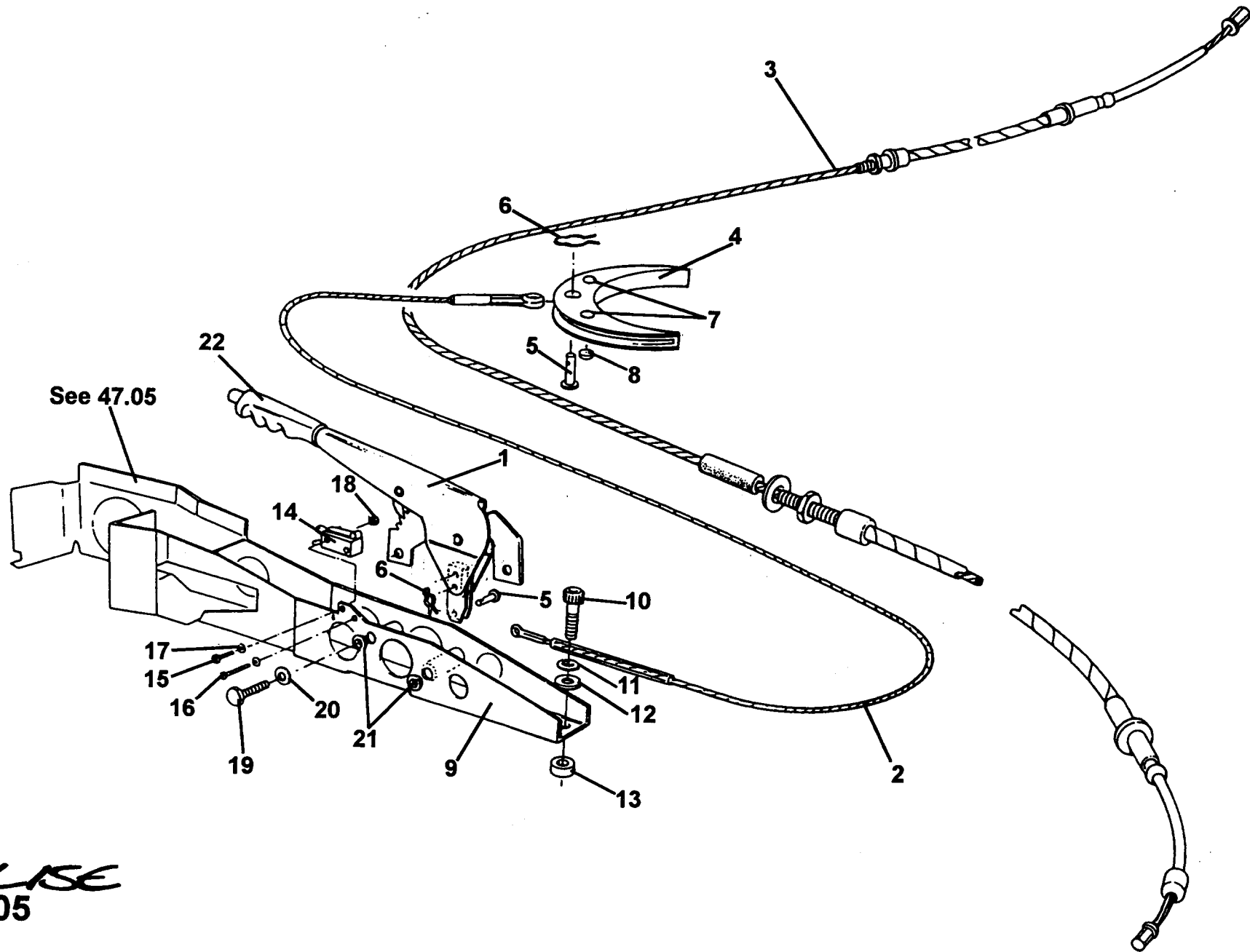
Service Parts List *ELISE*



Function Code 33.05 Parking Brake Mechanism

<u>Dep</u>	<u>Part Description</u>	<u>Remarks</u>	<u>Option</u>	<u>Part Number</u>	<u>Qty</u>
01	Parking Brake Assembly			A111J0002J	1
02	Cable, parking brake primary			B111J0025F	1
03	Cable, parking brake secondary		A111J0024F R/B	B111J0024F	1
04	Equaliser, handbrake			A111J6014H	1
05	Clevis Pin, dia 8 x 10.5			A111J0026F	2
06	'R' Clip			A075W6175F	2
07	Bumper, self adhesive			A111J6025F	2
08	Bumper, self adhesive			A111J6027F	2
09	Mounting Channel, parking brake assembly			C111J0027F	1
10	Screw, M8 x 30, cap hd.			A089W7052F	2
11	Washer, spring M8			A075W4036Z	2
12	Washer, flat M8 x 16.6 x 1.4			A075W4020Z	2
13	Spacer, parking brake channel to floor			A111J0030K	2
14	Switch, parking brake tell tale			A111M6025F	1
15	Screw, M3 x 16 pan hd. pozi.			A082W5110F	1
16	Screw, M3 x 20 pan hd. pozi.			A082W5163F	1
17	Washer, flat M3 x 7			A100W4125F	2
18	Nyloc Nut, M3			A079W3060F	2

ELISE



ELISE
33.05

Function Code 33.05 Parking Brake Mechanism

<u>Dep</u>	<u>Part Description</u>	<u>Remarks</u>	<u>Option</u>	<u>Part Number</u>	<u>Qty</u>
19	Screw, M8 x 25 hex. thn. hd.			A075W1081Z	2
20	Washer, spring, M8			A075W4036Z	2
21	Bush, parking brake			A111J0028K	2
22	Hand-Grip, parking brake lever			A111J6037S	1

ELISE

Service Parts List *ELISE*



Function Code 34.01 Wheels, Tyres & Valves

<u>Dep</u>	<u>Part Description</u>	<u>Remarks</u>	<u>Option</u>	<u>Part Number</u>	<u>Qty</u>
01	Wheel & Tyre Assy., front, five spoke AWI		Prior to VIN: 6429 approx.	A111G0006F	2
01a	Wheel & Tyre Assy., front, twelve spoke Rimstock		From VIN: 6429 approx.	A111G60021F	2
01b	Wheel & Tyre Assy., front, six spoke OZ		111S	B111G0017F	2
01c	Wheel & Tyre Assy., front, six spoke OZ	Gold finish	JPS, Type '49'	A111G0028F	2
01d	Wheel & Tyre Assy., front, five spoke, Victory	Grey finish	Sport 160	A111G0036F	2
02	Tyre, front 185/55 R15, Pirelli P Zero			A111G6006H	2
03	Road Wheel, front, five spoke AWI, 5.5J x 15		Prior to VIN: 6429 approx.	A111G0004F	2
03a	Road Wheel, front, twelve spoke Rimstock 5.5J x 15		From VIN: 6429 approx.	A111G6040F	2
03b	Road Wheel, front, six spoke OZ, 5.5J x 15		111S	A111G0013F	2
03c	Road Wheel, front, six spoke OZ, 5.5J x 15	Gold finish	JPS, Type '49'	A111G0029F	2
03d	Road Wheel, front, five spoke Victory, 6J x 15	Grey finish	Sport 160	A111G6032S	2
03e	Road Wheel, front, five spoke Victory, 6J x 15	Silver finish	Sport 160	A111G6030S	2
04	Wheel & Tyre Assy., rear, five spoke AWI, 205/50 tyre		Prior to VIN: 6429 approx.	A111G0010F	2
04a	Wheel & Tyre Assy., rear, five spoke AWI, 225/45 tyre		Prior to VIN: 6429 approx.	A111G0009F	2
04b	Wheel & Tyre Assy., rear, twelve spoke Rimstock, 205/50 tyre		From VIN: 6429 approx.	A111G0022F	2
04c	Wheel & Tyre Assy., rear, twelve spoke Rimstock, 225/45 tyre		From VIN: 6429 approx.	A111G0023F	2
04d	Wheel & Tyre Assy., rear, six spoke OZ, 225/45 tyre		111S	A111G0016F	2

ELISE



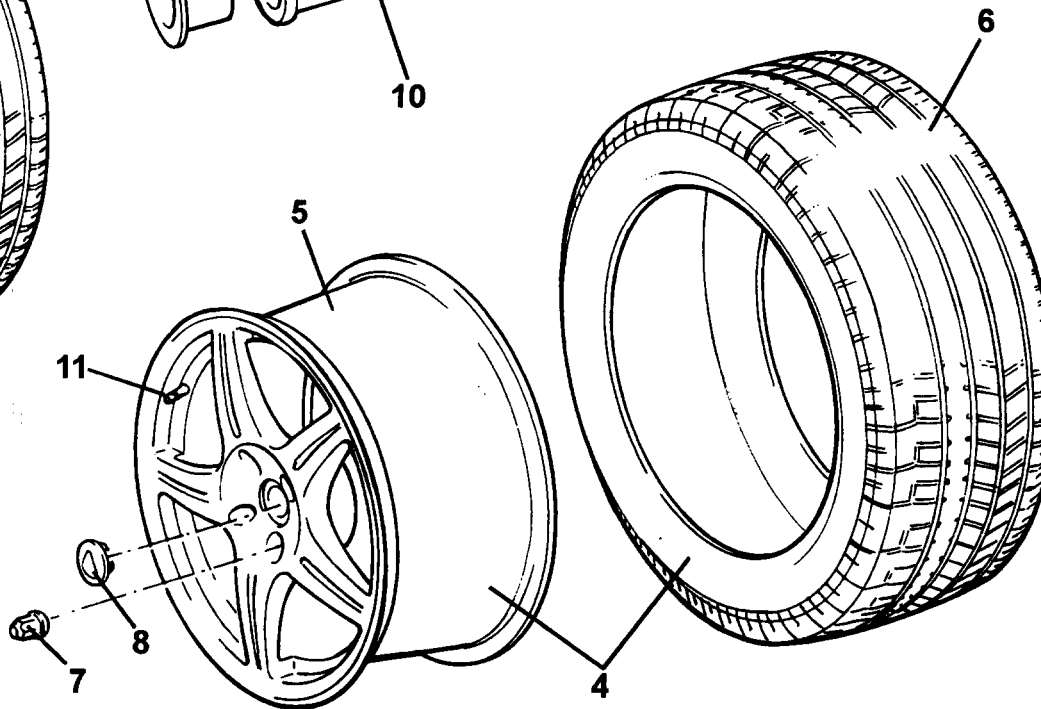
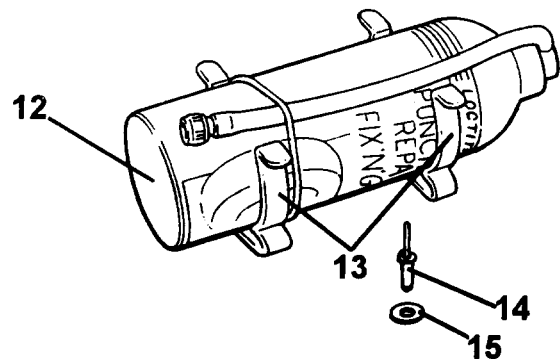
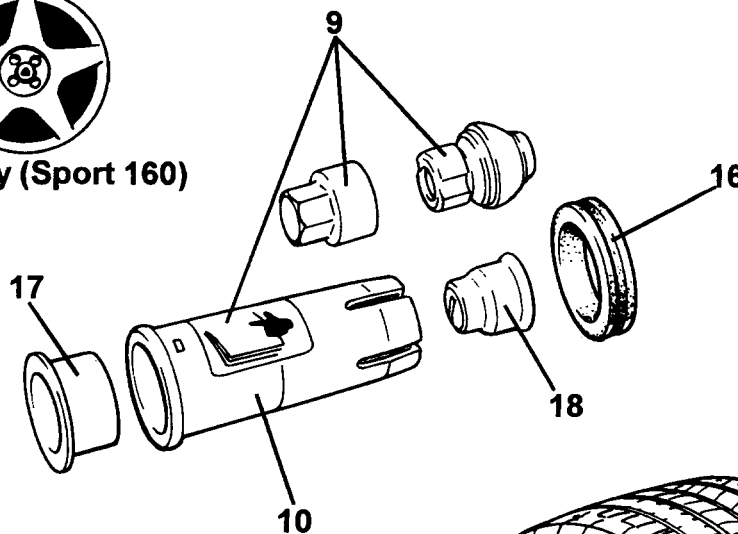
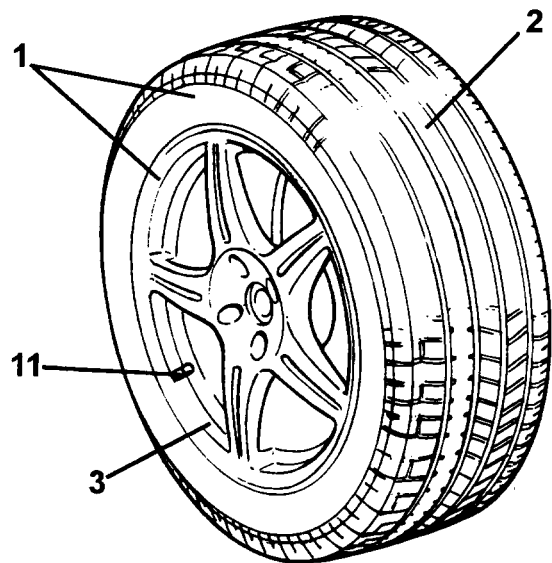
AWI



OZ (111S)



Rimstock Victory (Sport 160)



ELISE
34.01

Function Code 34.01 Wheels, Tyres & Valves

<u>Dep</u>	<u>Part Description</u>	<u>Remarks</u>	<u>Option</u>	<u>Part Number</u>	<u>Qty</u>
04e	Wheel & Tyre assy., rear, six spoke OZ, 225/45 tyre	Gold finish	JPS, Type '49'	A111G0030F	2
04f	Wheel & Tyre assy., rear, five spoke Victory, 225/45 tyre	Grey finish	Sport 160	A111G0037F	2
05	Road Wheel, rear, five spoke AWI, 7J x 16		Prior to VIN: 6429 approx.	A111G0005F	2
05a	Road Wheel, rear, twelve spoke Rimstock 7J x 15		From VIN: 6429 approx.	A111G6041F	2
05b	Road Wheel, rear, six spoke OZ, 7.5J x 16		111S	A111G0012F	2
05c	Road Wheel, rear, six spoke OZ, 7.5J x 16	Gold finish	JPS, Type '49'	A111G0031F	2
05d	Road Wheel, rear, five spoke Victory, 8J x 16	Grey finish	Sport 160	A111G6033S	2
05e	Road Wheel, rear, five spoke Victory, 8J x 16	Silver finish	Sport 160	A111G6031S	
06	Tyre, rear, 205/50 ZR 16, Pirelli P Zero	Must be fitted in pairs		A111G6022H	2
06a	Tyre, rear, 225/45 ZR 16, Pirelli P Zero	Must be fitted in pairs		A111G6019H	2
07	Wheel Nut			A111G6001F	16
08	Wheel Centre Cover, Lotus badge			A082G4112F	4
08a	Wheel Centre Cover, Lotus badge	For Victory wheels	Sport 160	A111G6034S	4
09	Security Wheelnut Kit			A111G6008F	1
10	Extractor Tool, security wheelnut cover	Container for wheelnut key (stowed)		A111G6017H	1
11	Tyre Valve			A111G6002H	4
12	Tyre Weld, repair canister			A111G6005F	1
13	Terry Clip, tyre weld cannister retention			A111W6590F	2
14	Pop Rivet, terry clip fixing			A075W6090Z	4
15	Washer, flat, terry clip fixing			A075W4084F	4

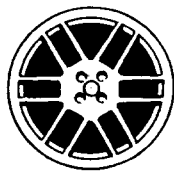
ELISE



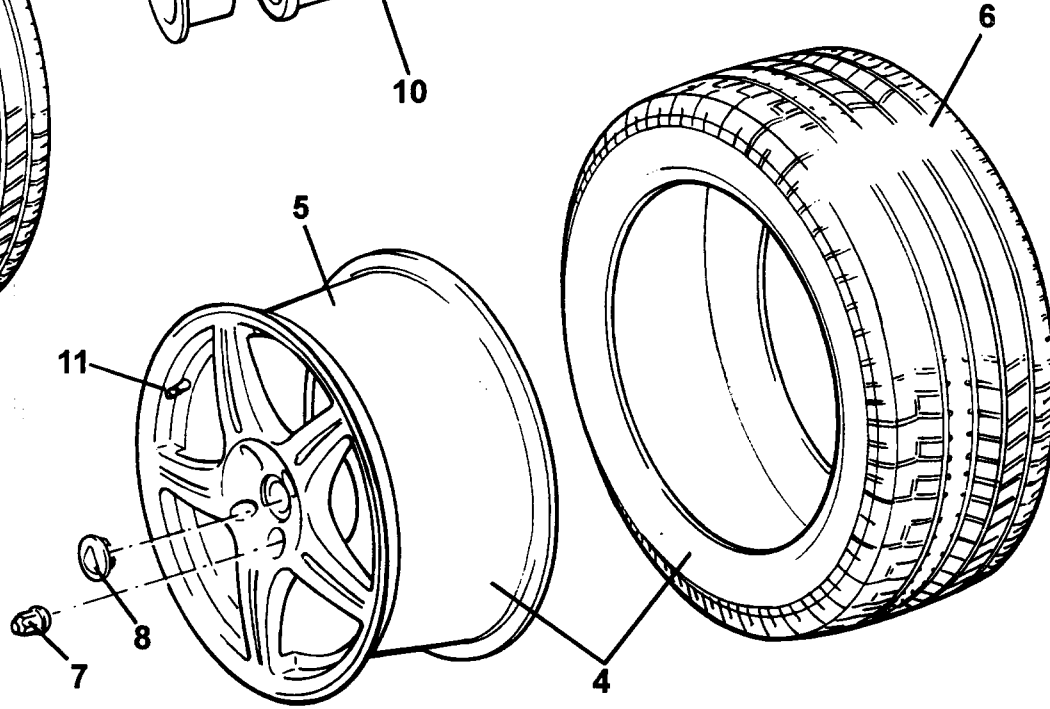
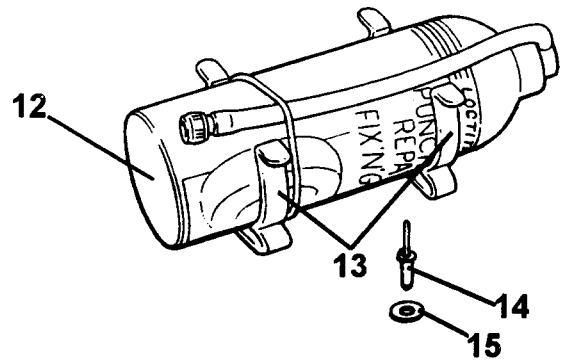
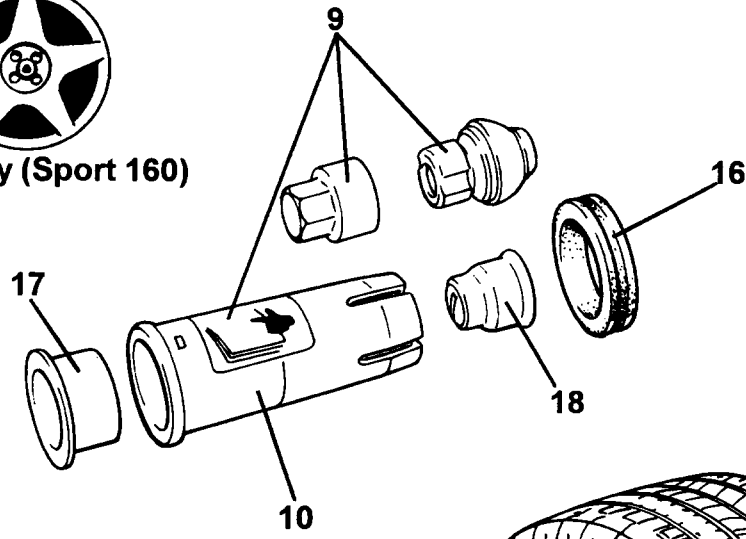
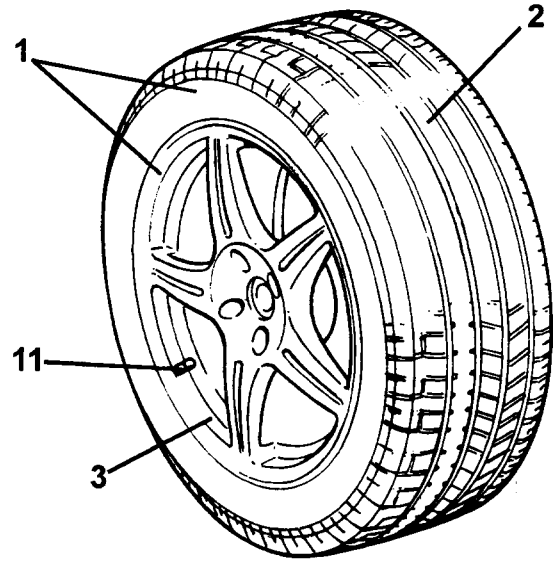
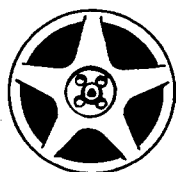
AWI



OZ (111S)



Rimstock Victory (Sport 160)



ELISE
34.01

Function Code 34.01 Wheels, Tyres & Valves

<u>Dep</u>	<u>Part Description</u>	<u>Remarks</u>	<u>Option</u>	<u>Part Number</u>	<u>Qty</u>
16	Grommet, security wheelnut key/tool stowage			A111G6012F	1
17	Protection Cap, security wheelnut key stowage			A111G6013F	1
18	Cap, security wheelnut			A111G6015F	4

ELISE

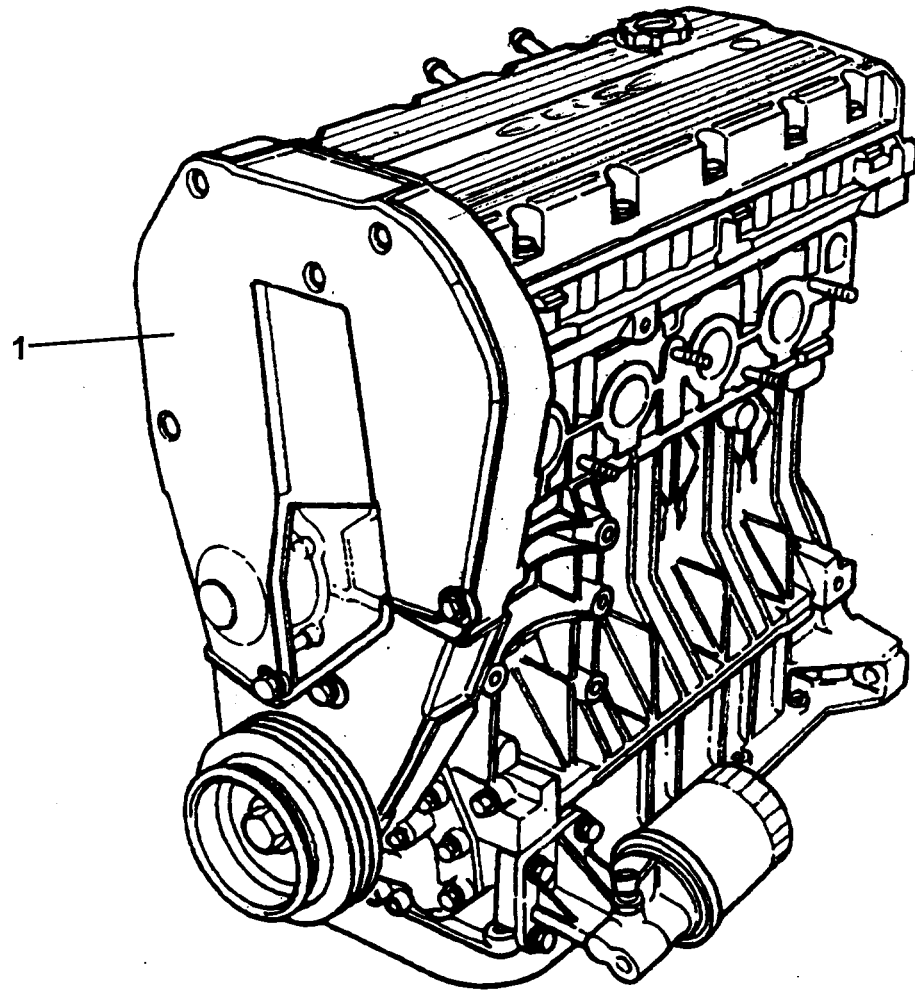
Service Parts List *ELISE*



Function Code 40.00 Engine assemblies

<u>Dep</u>	<u>Part Description</u>	<u>Remarks</u>	<u>Option</u>	<u>Part Number</u>	<u>Qty</u>
01	Engine Assembly, 1.8, undressed	Less ancillaries		A111E6109S	1
01b	Engine Assembly, 1.8 VVC, undressed	Less ancillaries	111S	A111E6318S	1
01c	Engine Assembly, 135 bhp		Sport 135	A111E6228S	1
01d	Engine Assembly, 190 VHPD		Sport 190	A111E6127S	1
02	Fitting Kit, 190 VHPD Engine	Comprising items: 2a to 3	MOTOR SPORT	A111E0034J	1
02a	Carbon Fibre Airbox	Part of fitting kit item 2	MOTOR SPORT	A111E0020S	1
02b	Ducting, airbox	Part of fitting kit item 2	MOTOR SPORT	A111E0022S	1
02c	Adaptor, ducting to air intake	Part of fitting kit item 2	MOTOR SPORT	A111E0023K	1
02d	Hose Clip, ducting	Part of fitting kit item 2	MOTOR SPORT	A111W6638F	2
02e	Throttle Cable	Part of fitting kit item 2	MOTOR SPORT	A111J0140S	1
02f	Fuel Feed Pipe	Part of fitting kit item 2	MOTOR SPORT	A111L6039S	1
02g	Fuel Return Pipe	Part of fitting kit item 2	MOTOR SPORT	A111L6040S	1
02h	Throttle Cable 'U' Bracket	Part of fitting kit item 2	MOTOR SPORT	C111J0046F	1
02i	Bridging Plug, cobra immobiliser	Part of fitting kit item 2	MOTOR SPORT	A111M0123S	1
02j	Guidance Notes	Part of fitting kit item 2	MOTOR SPORT	LSL364	1
03	Crankcase Breather Pipe Kit	Part of fitting kit, comprising items 3a to 3h	MOTOR SPORT	A111E0035J	1
03a	Grommet	Part of breather pipe kit item 3	MOTOR SPORT	A082L6181F	1
03b	Adaptor/Connector,	Part of breather pipe kit item 3	MOTOR SPORT	A111E6153F	1

ELISE



ELISE
40.00

Function Code 40.00 Engine assemblies

<u>Dep</u>	<u>Part Description</u>	<u>Remarks</u>	<u>Option</u>	<u>Part Number</u>	<u>Qty</u>
03c	Hose, engine breather to air box	Part of breather pipe kit item 3	MOTOR SPORT	A111E0029S	1
03d	'T' Piece, elbow to connector	Part of breather pipe kit item 3	MOTOR SPORT	A111E6152S	1
03e	Elbow, engine breather to air box	Part of breather pipe kit item 3	MOTOR SPORT	A111E0032K	1
03f	Hose/Connector, engine breather to air box	Part of breather pipe kit item 3	MOTOR SPORT	A111E6151S	1
03g	Clip	Part of breather pipe kit item 3	MOTOR SPORT	A111E6155S	1
03h	Clip	Part of breather pipe kit item 3	MOTOR SPORT	A111E6154S	1

ELSE

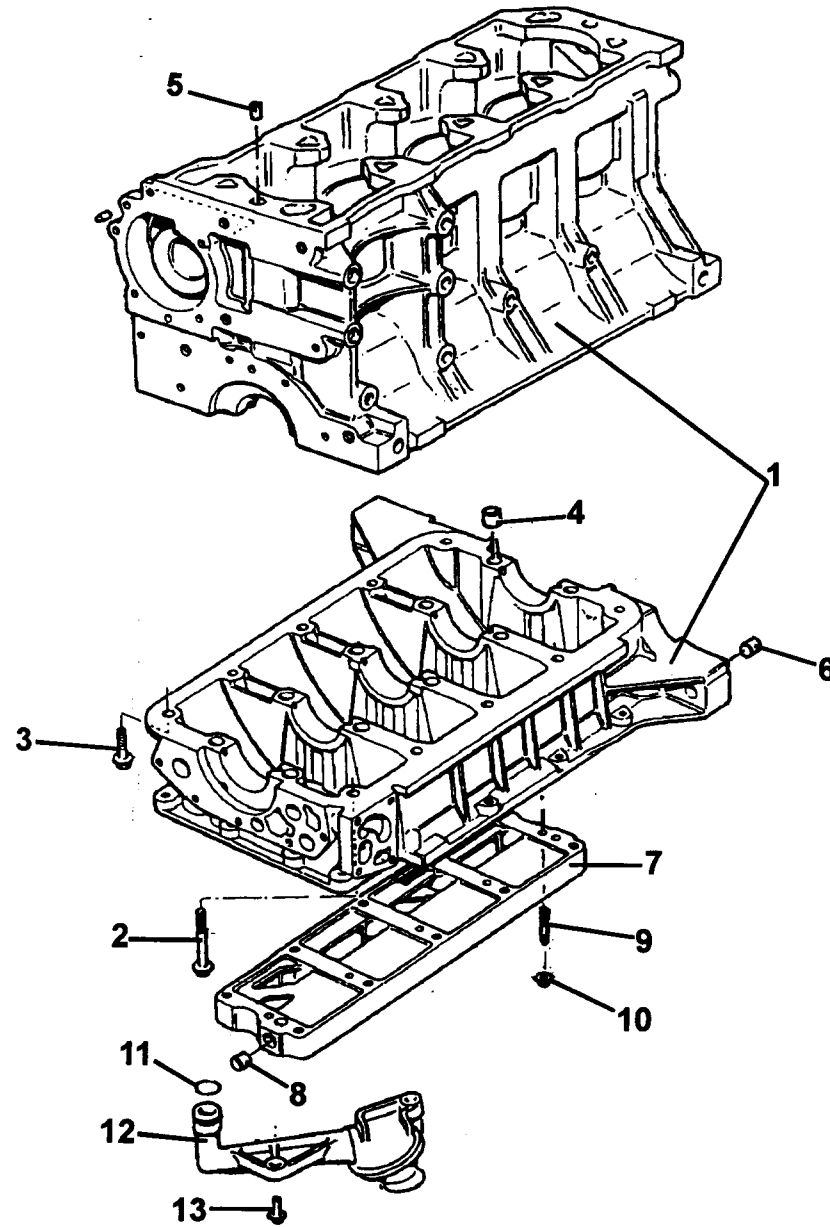
Service Parts List *ELISE*



Function Code 40.01 Engine Block, Oil Pick-up

<u>Dep</u>	<u>Part Description</u>	<u>Remarks</u>	<u>Option</u>	<u>Part Number</u>	<u>Qty</u>
01	Cylinder Block Assembly	Includes bearing ladder		A111E6185S	1
02	Bolt, ladder to Block			A111E6186S	1
03	Screw, ladder to block			A111E6187S	9
04	Dowel, ladder to block			A111E6188S	2
05	Dowel, block to head			A111E6175S	2
06	Dowel, block to gearbox			A111E6189S	2
07	Rail, oil feed			A111E6190S	1
08	Core Plug			A111E6191S	2
09	Stud, rail to ladder			A111E6192S	2
10	Nut, rail fixing			A111E6193S	2
11	'O' Ring, oil pick-up pipe seal	Also see 40.02		A111E6066S	1
12	Oil Pick-Up Pipe			A111E6167S	1
13	Bolt, oil pick-up pipe fix.			A111E6168S	1

ELISE



ELISE
40.01

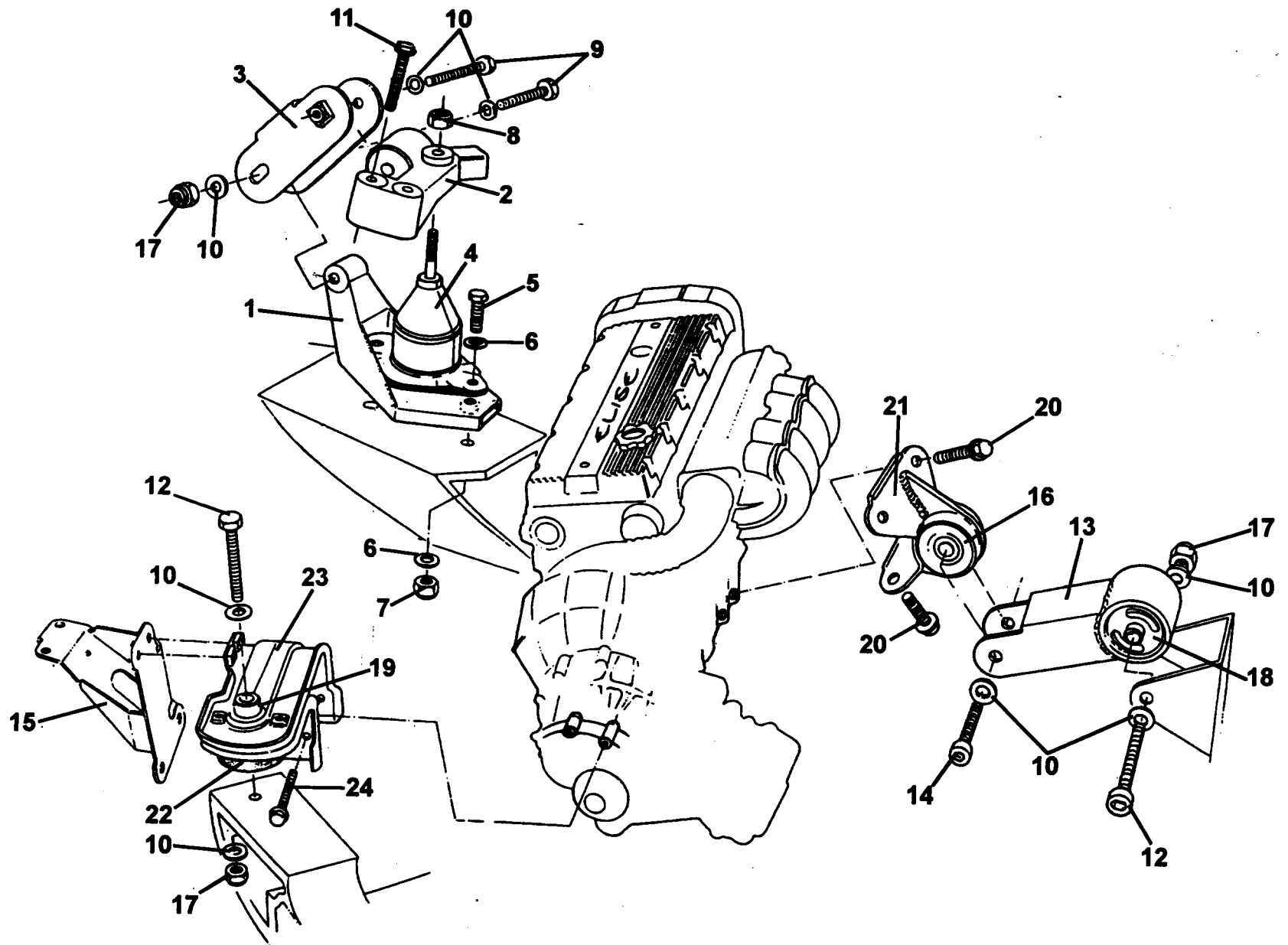
Service Parts List *ELISE*



Function Code 40.01a Engine Mounts

<u>Dep</u>	<u>Part Description</u>	<u>Remarks</u>	<u>Option</u>	<u>Part Number</u>	<u>Qty</u>
01	Bracket, engine upper mount, chassis RH			D111E0004F	1
02	Bracket, engine upper mount, engine RH			A111E6027F	1
03	Engine Steady Arm, upper			A111E6014F	1
04	Hydromount Assembly			A111E6002F	1
05	Bolt, M10 x 45			A111W2175F	2
06	Washer, M10 x 20.5			A111W4163F	4
07	Nyloc Nut, M10			A100W3112F	2
08	Nut, M12 x 1.75			A111W3155F	1
09	Bolt, M12 x 70			A100D6023F	2
10	Washer, flat, M12			A075W4028Z	9
11	Bolt, M14 x 2 x 80			A111E6008Z	2
12	Bolt, M12 x 90			A075W2073F	2
13	Engine Steady Arm, lower			A111E6029F	1
14	Bolt, M12 x 60			A075W2070Z	1
15	Mounting Leg, clutch slave cylinder			A111E6139S	1
16	Bush, steady arm to bracket			A111E6016F	1
17	Nyloc Nut, M12			A075W3012Z	4
18	Bush, steady arm to chassis			A111E6025S	1

ELISE



ELISE
40.01a

Function Code 40.01a Engine Mounts

<u>Dep</u>	<u>Part Description</u>	<u>Remarks</u>	<u>Option</u>	<u>Part Number</u>	<u>Qty</u>
19	Spacer, engine mounting to chassis			A111F6002F	1
20	Screw, flanged head			A111E6134S	4
21	Bracket, steady arm to engine			A111E6133S	1
22	Engine/ Transmission Mounting, LH			A111E6135S	1
23	Bracket, engine/transmission mounting, LH			A111E6136S	1
24	Bolt, M10, fig. hd.			A111E6137S	2

ELISE

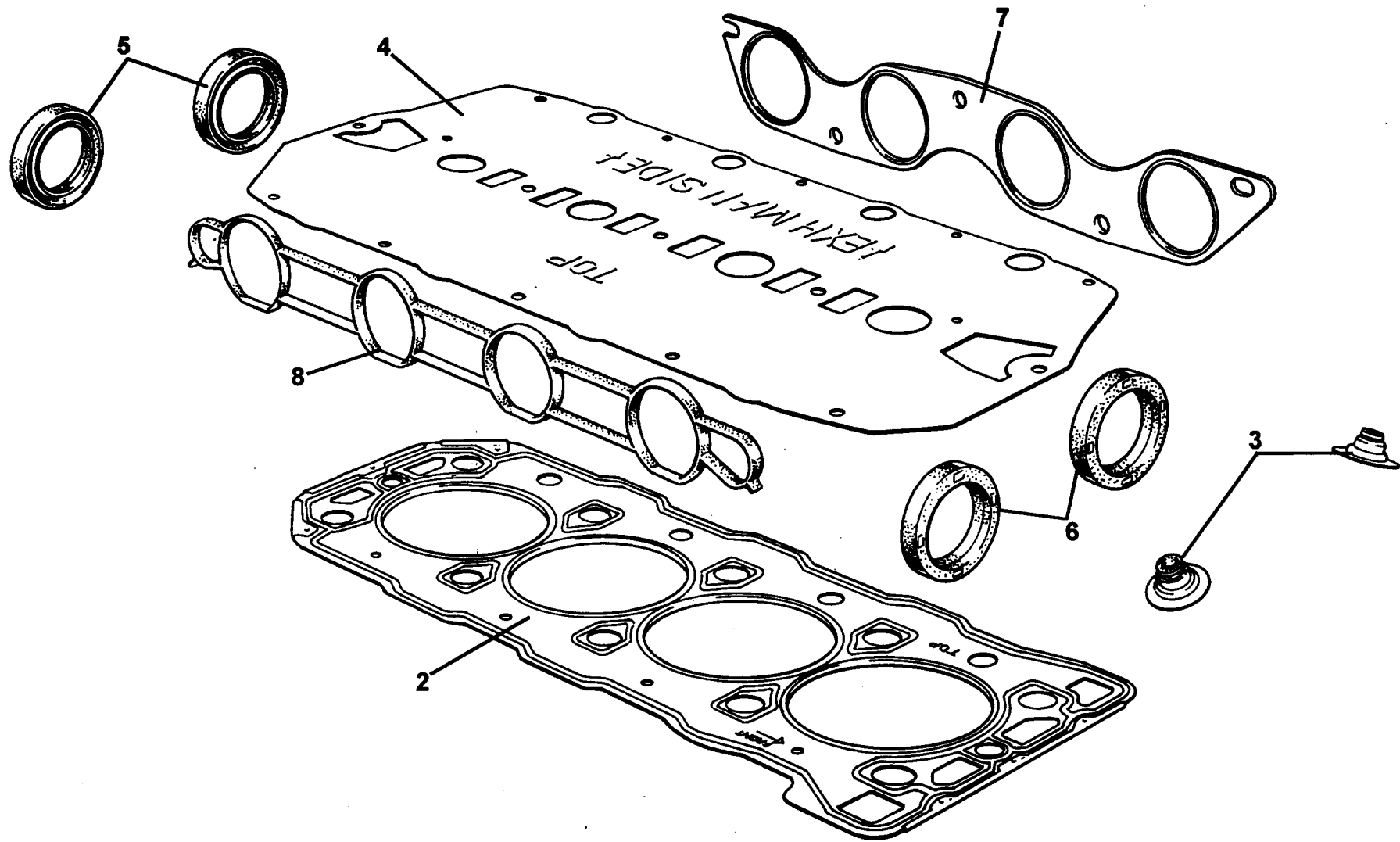
Service Parts List *ELISE*



Function Code 40.02 Gaskets & Sealants, Top Overhaul Set

<u>Dep</u>	<u>Part Description</u>	<u>Remarks</u>	<u>Option</u>	<u>Part Number</u>	<u>Qty</u>
01	Top Overhaul Gasket Set	Comprises items 2 to 9		A111E6049S	1
01a	Top Overhaul Gasket Set, VVC		111S	A111E6319S	1
02	Gasket, cylinder head	Also see 40.05		A111E6103S	1
03	Oil seal, valve stem	Also see 40.05		A111E6171S	16
04	Gasket, cam cover	Also see 40.07		A111E6052S	1
05	Oil Seal, camshaft, rear, red	Also see 40.07	A111E6055S R/B	A111E6271S	2
06	Oil Seal, camshaft, front, black	Also see 40.07	A111E6055S R/B	A111E6272S	2
07	Gasket, exhaust manifold	Also see 40.21		A111E6051S	1
08	Gasket, inlet manifold	Also see 42.07		A111E6086S	1
09	Liquid Sealant, cam carrier to head	Not illustrated		A111E6172S	1

ELISE



ELISE
40.02

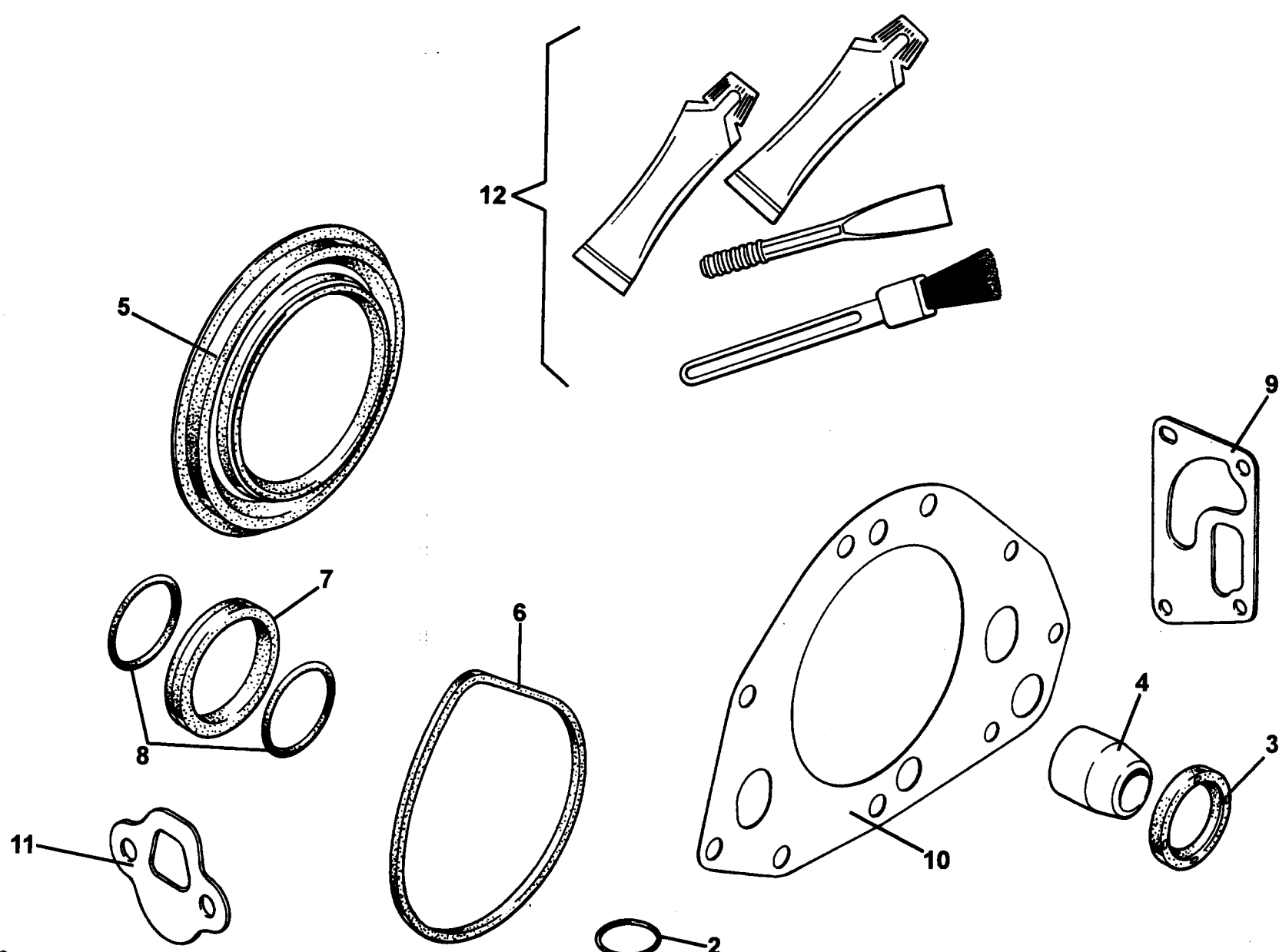
Service Parts List *ELISE*



Function Code 40.02a Gaskets & Sealants, Bottom Overhaul Set

<u>Dep</u>	<u>Part Description</u>	<u>Remarks</u>	<u>Option</u>	<u>Part Number</u>	<u>Qty</u>
01	Bottom Overhaul Gasket Set	Comprises items 2 to 12		A111E6050S	1
02	"0" Ring, oil pick-up pipe	Also see 40.01		A111E6066S	1
03	Oil Seal, crankshaft front	Also see 40.11		A111E6054S	1
04	Fitting Tool, oil seal	Supplied with seal		not listed	1
05	Oil seal, crankshaft rear	Also see 40.11		A111E6057S	1
06	Gasket, water pump	Also see 40.13		A111E6080S	1
07	'O' Ring, thermostat housing	Also see 40.13		A111E6084S	1
08	'O' Ring, thermostat housing	Also see 40.13		A111E6067S	2
09	Gasket, oil filter housing	Also see 40.15		A111E6101S	1
10	Gasket, oil pump	Also see 40.15		A111E6053S	1
11	Gasket, dip stick tube	Also see 40.15		A111E6009F	1
12	Liquid Gasket Kit, for sump			A111E6048S	1

ELISE



ELISE
40.02a

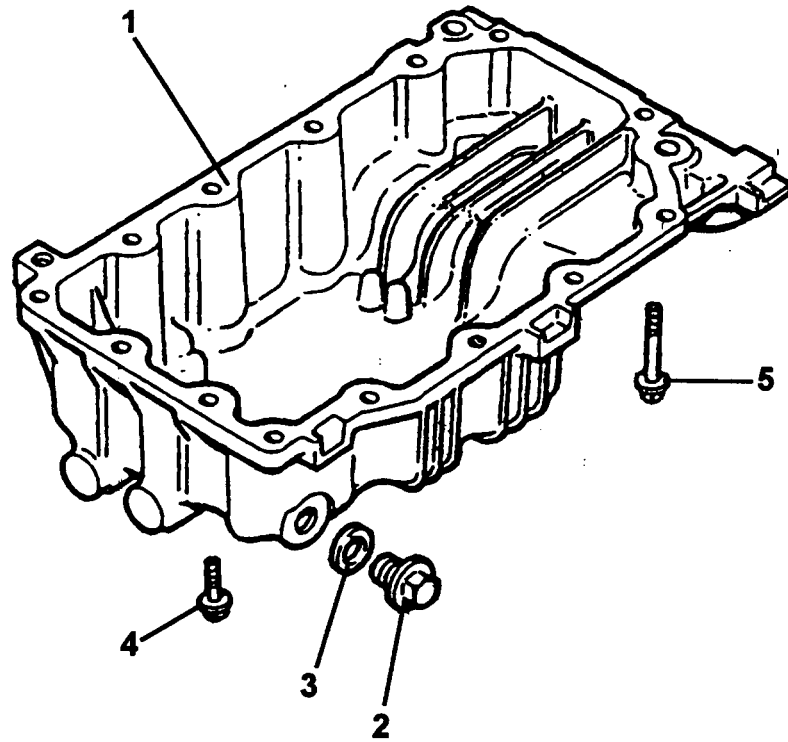
Service Parts List *ELISE*



Function Code 40.03 Sump Assembly

<u>Dep</u>	<u>Part Description</u>	<u>Remarks</u>	<u>Option</u>	<u>Part Number</u>	<u>Qty</u>
01	Oil Sump			A111E6089S	1
02	Sump Plug			A111E6077S	1
03	Washer, sump plug			A111E6035S	1
04	Fixing Bolt (short)			A111E6187S	12
05	Fixing Bolt (long)			A111E6343S	2

ELISE



ELISE
40.03

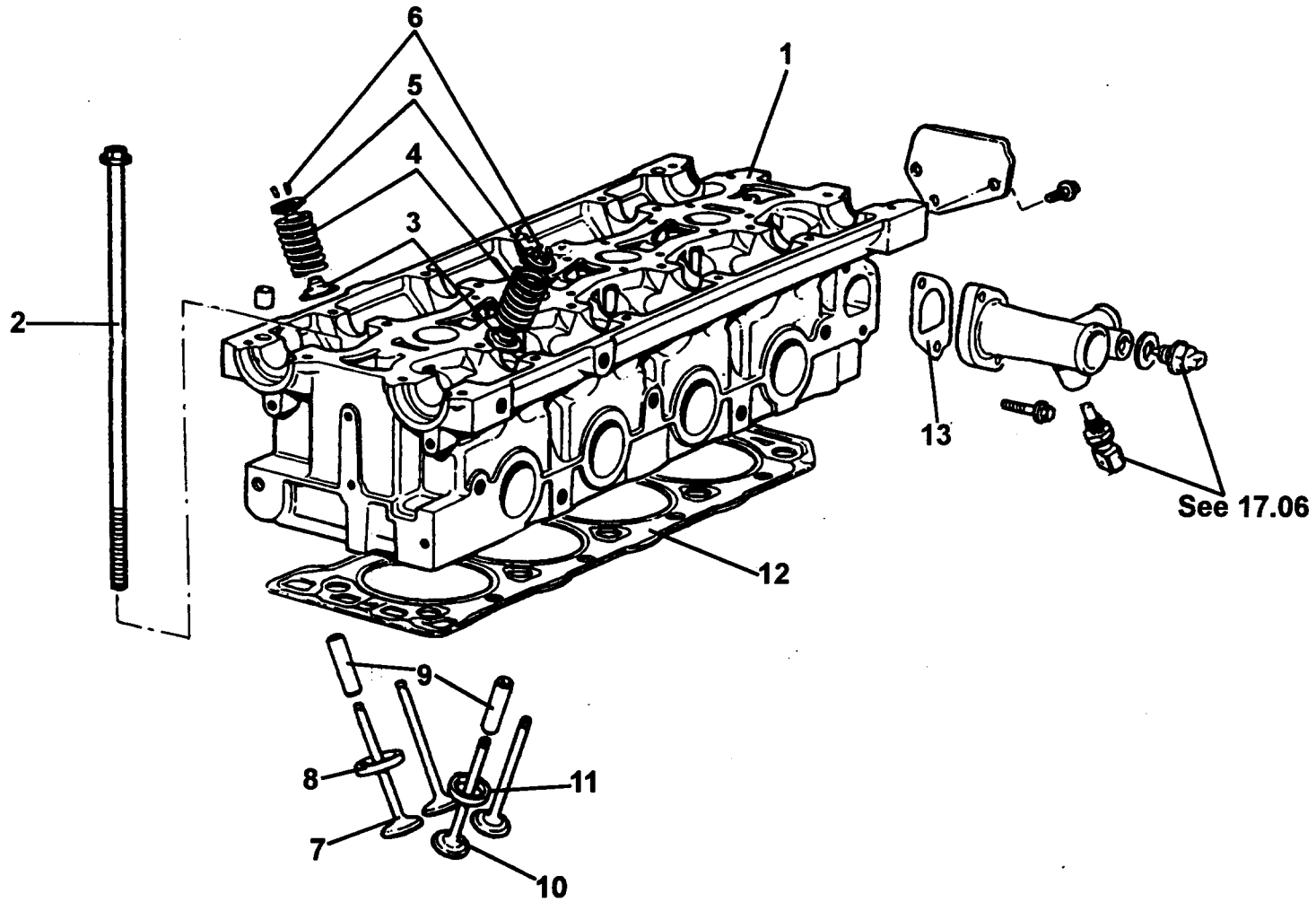
Service Parts List *ELISE*



Function Code 40.05 Cylinder Head , Valves, Springs

<u>Dep</u>	<u>Part Description</u>	<u>Remarks</u>	<u>Option</u>	<u>Part Number</u>	<u>Qty</u>
01	Cylinder Head, bare	Includes cam carrier	Prior to engine no. 153993	A111E6125S	1
01a	Cylinder Head, bare	Includes cam carrier	From engine no. 153993	A111E6242S	1
01b	Cylinder Head, bare, VVC	Includes cam carrier	111S	A111E6305S	1
02	Bolt, cylinder head fixing			A111E6111S	10
03	Spring Seat/Stem Seal			A111E6171S	16
04	Valve Spring			A111E6096S	16
04a	Valve Spring, VVC		111S	A111E6315S	16
05	Valve Spring Cap			A111E6211S	16
06	Valve Collet			A111E6110S	32
07	Inlet Valve			A111E6094S	8
07a	Inlet Valve, VVC		111S	A111E6313S	8
08	Valve Seat Insert, inlet			A111E6333S	8
08a	Valve Seat Insert, inlet, VVC		111S	A111E6308S	8
09	Valve Guide, standard, plain,			A111E6306S	16
09a	Valve Guide, oversize, grooved/stepped			A111E6307S	16
10	Exhaust Valve			A111E6095S	8
10a	Exhaust Valve, VVC		111S	A111E6314S	8
11	Valve Seat Insert, exhaust			A111E6334S	8

ELISE



ELISE
40.05

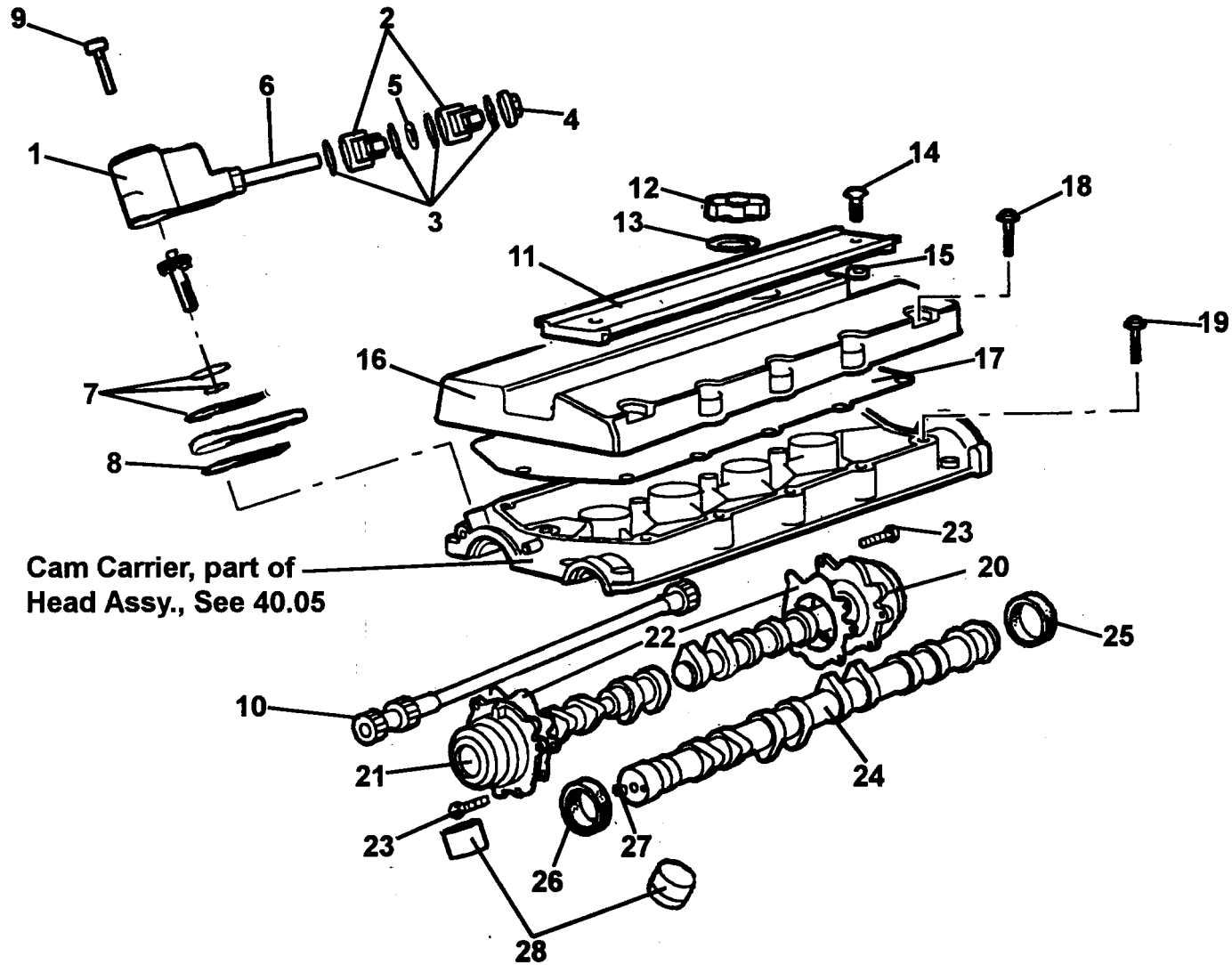
Service Parts List *ELISE*



Function Code 40.07 Camshafts, Tappets, Cam Cover

<u>Dep</u>	<u>Part Description</u>	<u>Remarks</u>	<u>Option</u>	<u>Part Number</u>	<u>Qty</u>
01	Exhaust Camshaft			A111E6206S	1
02	Inlet Camshaft			A111E6207S	1
03	Tappet			A111E6097S	16
04	Camshaft Cover			A111E6174S	1
05	Bolt, cam cover to head			A111E6160S	15
06	Spark Plug Cover, black			A111E0003F	1
07	Screw, spark plug cover to head			A111W5210F	2
08	Retainer, screw, cover fixing			A111W6540F	2
09	Oil Filler Cap			A111E6039S	1
10	Seal, oil filler cap			A111E6056S	1
11	Gasket, camshaft cover	Also see 40.02		A111E6052S	1
12	Oil Seal, camshaft, rear, red	Also see 40.02	A111E6055S R/B	A111E6271S	2
13	Oil Seal, camshaft, front, black	Also see 40.02	A111E6055S R/B	A111E6272S	2
14	Bolt, flg. hd., cam carrier to head			A111E6311	20
15	Bolt, flg. hd., cam carrier to head	Not illustrated		A111E6312S	4

ELISE



ELISE
 40.07a

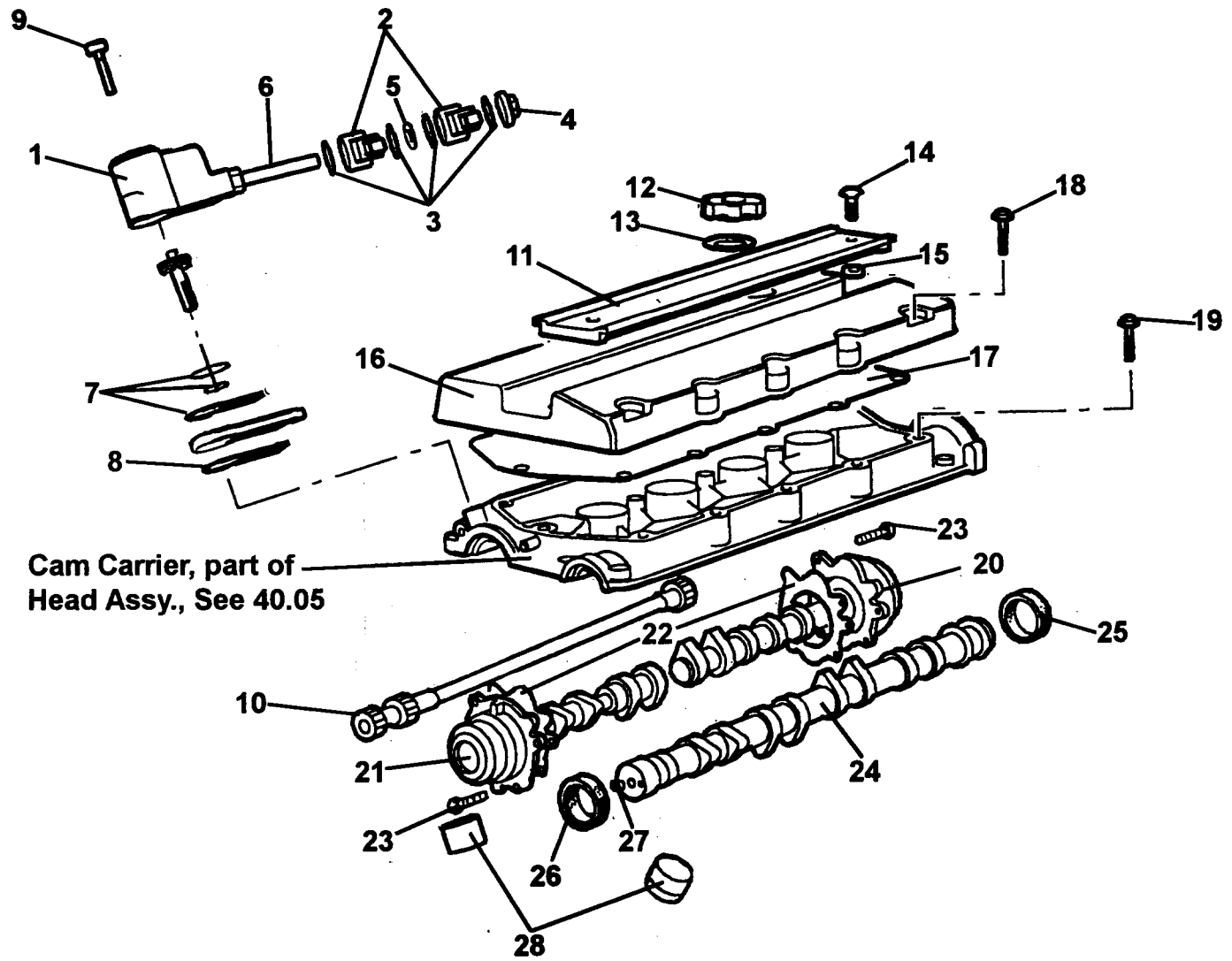
Service Parts List *ELISE*



Function Code 40.07a Camshafts, Tappets, Cam Cover VVC

<u>Dep</u>	<u>Part Description</u>	<u>Remarks</u>	<u>Option</u>	<u>Part Number</u>	<u>Qty</u>
01	Hydraulic Control Unit Assembly	Includes items 2 to 8	111S	A111E6294S	1
01a	Hydraulic Control Unit, less solenoid valves	Includes items 7,8	111S	A111E6295S	1
02	Solenoid Control Valve		111S	A111E6300S	2
03	Kit, control valve seal		111S	A111E6303S	1
04	Nut, control valve		111S	A111E6301S	1
05	Washer, control valve		111S	A111E6302S	1
06	Valve Control Assembly, with solenoid valves	Includes items 2,3,4,5	111S	A111E6298S	1
06a	Valve Control, less solenoid valves		111S	A111E6299S	1
07	Kit, hydraulic control unit seals		111S	A111E6296S	1
08	Gasket, hydraulic unit to cam carrier		111S	A111E6297S	1
09	Bolt, control unit fix.		111S	A111E6304S	3
10	Control Shaft		111S	A111E6290S	1
11	Spark Plug Cover, red		111S	A111E0041F	1
12	Oil Filler Cap			A111E6039S	1
13	Seal, oil filler cap			A111E6056S	1
14	Screw, spark plug cover to head			A111W5210F	2
15	Retainer, screw, cover fixing			A111W6540F	2
16	Camshaft Cover		111S	A111E6293S	1

ELISE



ELISE
40.07a

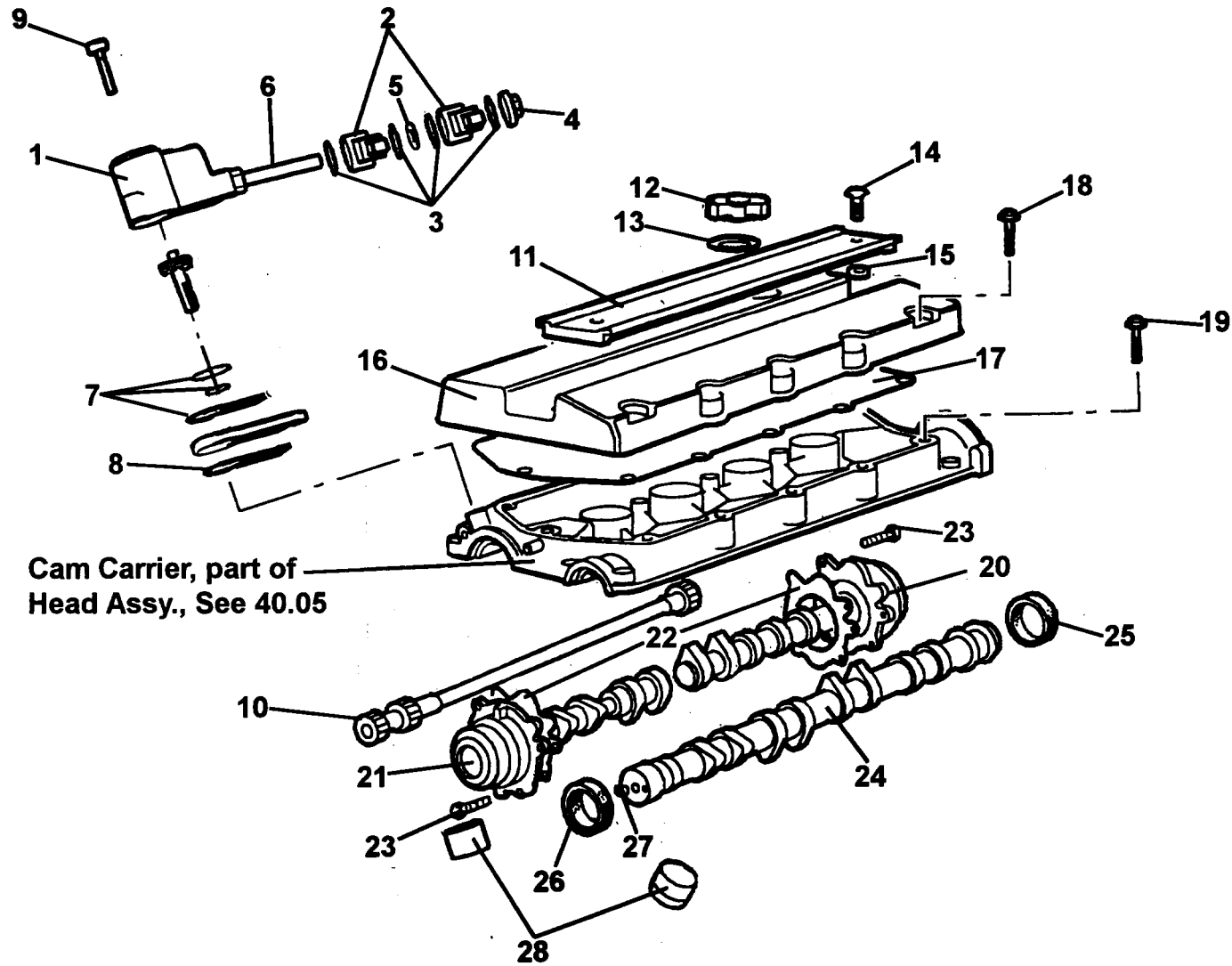
Service Parts List *ELISE*



Function Code 40.07a Camshafts, Tappets, Cam Cover VVC

<u>Dep</u>	<u>Part Description</u>	<u>Remarks</u>	<u>Option</u>	<u>Part Number</u>	<u>Qty</u>
01	Hydraulic Control Unit Assembly	Includes items 2 to 8	111S	A111E6294S	1
01a	Hydraulic Control Unit, less solenoid valves	Includes items 7,8	111S	A111E6295S	1
02	Solenoid Control Valve		111S	A111E6300S	2
03	Kit, control valve seal		111S	A111E6303S	1
04	Nut, control valve		111S	A111E6301S	1
05	Washer, control valve		111S	A111E6302S	1
06	Valve Control Assembly, with solenoid valves	Includes items 2,3,4,5	111S	A111E6298S	1
06a	Valve Control, less solenoid valves		111S	A111E6299S	1
07	Kit, hydraulic control unit seals		111S	A111E6296S	1
08	Gasket, hydraulic unit to cam carrier		111S	A111E6297S	1
09	Bolt, control unit fix.		111S	A111E6304S	3
10	Control Shaft		111S	A111E6290S	1
11	Spark Plug Cover, red		111S	A111E0041F	1
12	Oil Filler Cap			A111E6039S	1
13	Seal, oil filler cap			A111E6056S	1
14	Screw, spark plug cover to head			A111W5210F	2
15	Retainer, screw, cover fixing			A111W6540F	2
16	Camshaft Cover		111S	A111E6293S	1

ELISE



ELISE
 40.07a

Function Code 40.07a Camshafts, Tappets, Cam Cover VVC

<u>Dep</u>	<u>Part Description</u>	<u>Remarks</u>	<u>Option</u>	<u>Part Number</u>	<u>Qty</u>
17	Gasket, camshaft cover	Also see 40.02/02b	111S	A111E6052S	1
18	Bolt, cam cover to head		111S	A111E6160F	15
19	Bolt, flg. hd., cam carrier to head			A111E6311S	20
20	VVC Mechanism/Cam, rear	Includes items 22,25	111S	A111E6288S	1
21	VVC Mechanism/Cam, front	Includes items 22,26	111S	A111E6286S	1
22	Gasket, VVC mechanism to head	Also see 40.02b	111S	A111E6287S	2
23	Bolt, VVC mechanism to head		111S	A111E6289S	8
24	Exhaust Camshaft, VVC		111S	A111E6291S	1
25	Oil Seal, camshaft, rear, red	Also see 40.02		A111E6271S	2
26	Oil Seal, camshaft, front, black	Also see 40.02		A111E6272S	2
27	Roll Pin, cam drive locn.			A111E6292S	2
28	Tappet, VVC		111S	A111E6316S	16
29	Bolt, flg. hd., cam carrier to head	Not illustrated		A111E6312S	4

ELISE

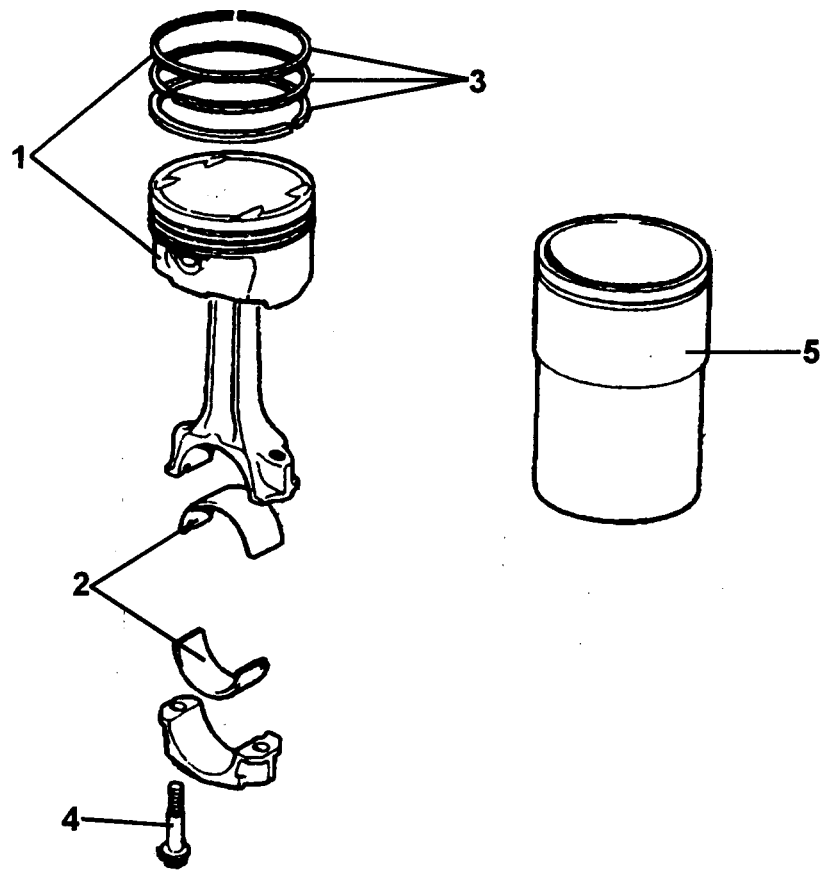
Service Parts List *ELISE*



Function Code 40.09 Pistons, Con-rods, Liners

<u>Dep</u>	<u>Part Description</u>	<u>Remarks</u>	<u>Option</u>	<u>Part Number</u>	<u>Qty</u>
01	Piston & Con-rod Assembly, grade A		All models	A111E6114S	4
01a	Piston & Con-rod Assembly, grade B		Standard car	A111E6115S	4
01b	Piston & Con-rod Assembly, VVC, grade B		111S	A111E6332S	4
02	Con-rod Bearings, blue			A111E6203S	8
02a	Con-rod Bearings, red			A111E6204S	8
02b	Con-rod Bearings, green			A111E6205S	8
03	Piston Ring Set	Piston set		A111E6166S	4
04	Cap Screw, big end fix.			A111E6116S	8
05	Liner, grade A			A111E6112S	4
05a	Liner, grade B			A111E6113S	4

ELISE



ELISE
40.09

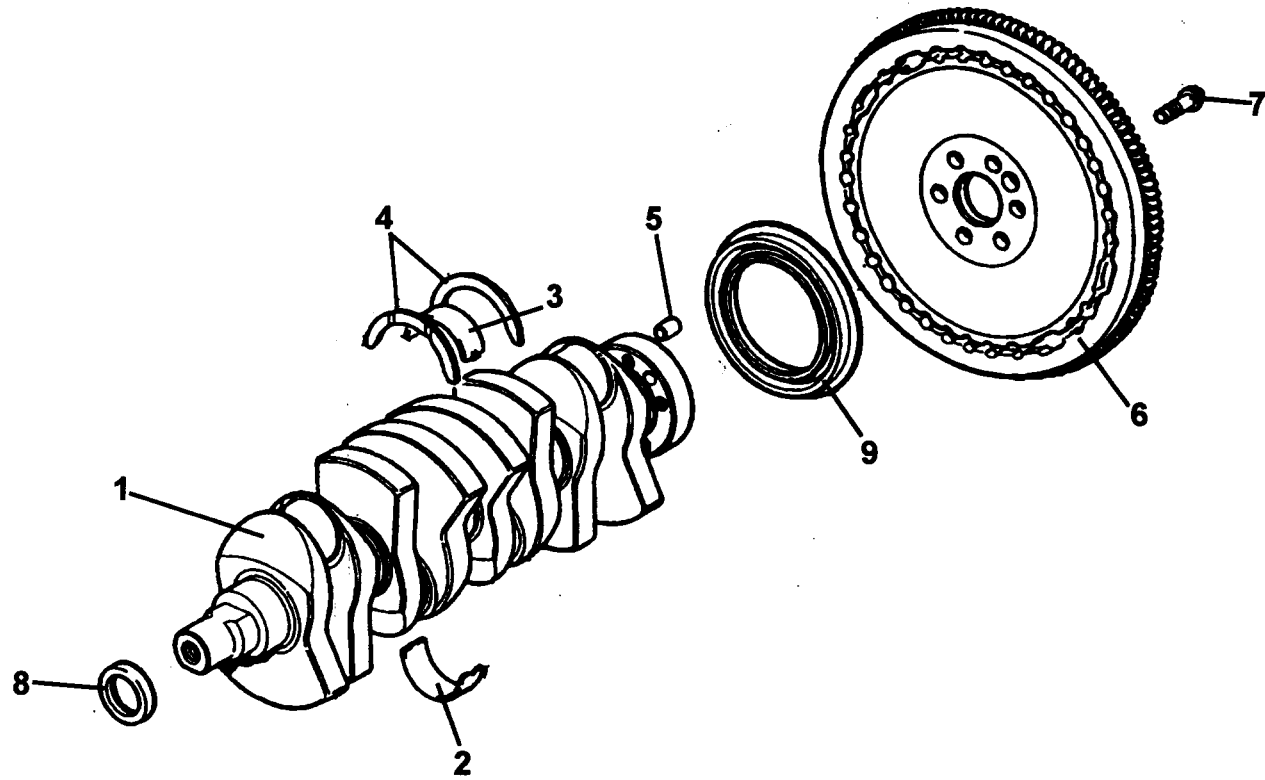
Service Parts List *ELISE*



Function Code 40.11 Crankshaft, Bearings, Flywheel

<u>Dep</u>	<u>Part Description</u>	<u>Remarks</u>	<u>Option</u>	<u>Part Number</u>	<u>Qty</u>
01	Crankshaft			A111E6194S	1
02	Main Bearing, plain, blue			A111E6196S	7
02a	Main Bearing, plain, red			A111E6197S	7
02b	Main Bearing, plain green			A111E6198S	7
03	Main Bearing, grooved, blue			A111E6199S	3
03a	Main Bearing, grooved, red			A111E6200S	3
03b	Main Bearing, grooved, green			A111E6201S	3
04	Thrust Washer			A111E6202S	2
05	Ring Dowel, crank to flywheel			A111E6195S	1
06	Flywheel			A111E6131S	1
07	Bolt, flywheel fix.			A111E6129S	6
08	Oil Seal, crankshaft front	Also see 40.02		A111E6054S	1
09	Oil Seal, crankshaft rear	Also see 40.02		A111E6057S	1

ELISE



ELISE
40.11

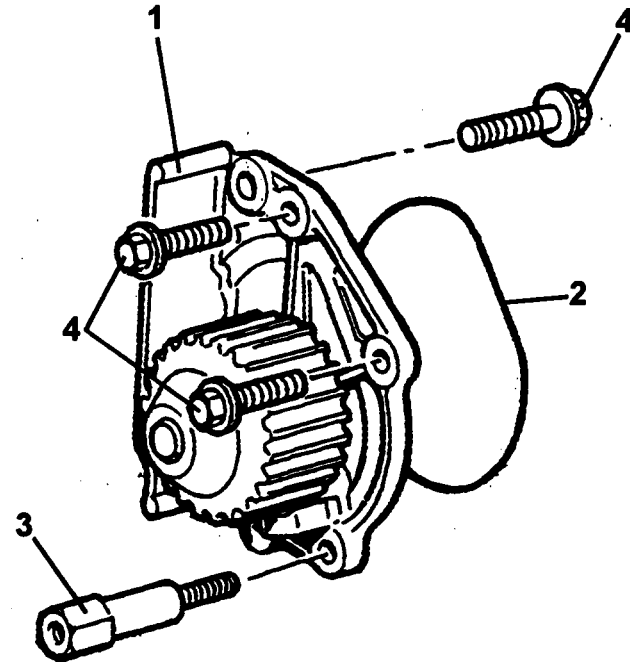
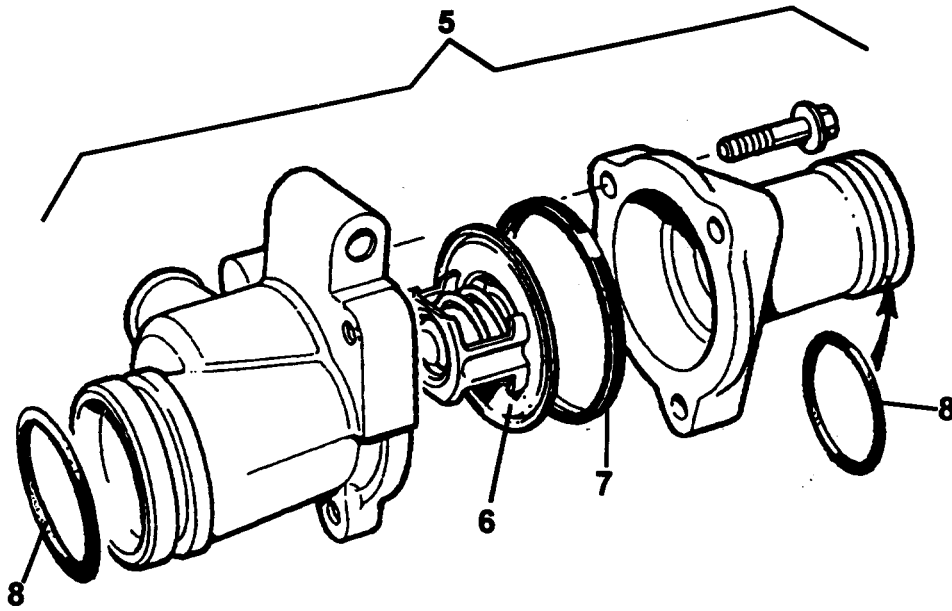
Service Parts List *ELISE*



Function Code 40.13 Water Pump Assembly, Thermostat

<u>Dep</u>	<u>Part Description</u>	<u>Remarks</u>	<u>Option</u>	<u>Part Number</u>	<u>Qty</u>
01	Water Pump Assembly	Includes 'O' ring		A111E6088S	1
02	'O' Ring, water pump	Also see 40.02a		A111E6080S	1
03	Pillar Bolt			A111E6361S	1
04	Bolt, water pump fix.			A111E6341S	5
05	Thermostat Housing Assembly	Includes items 6, 7, 8		A111E6182S	1
06	Thermostat			A111E6085S	1
07	'O' Ring, thermostat	Also see 40.02		A111E6084S	1
08	'O' Ring, thermostat	Also see 40.02		A111E6067S	2

ELISE



ELISE
40.13

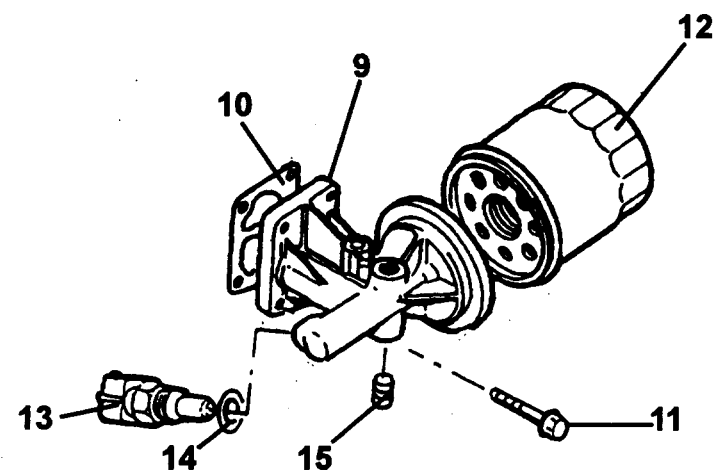
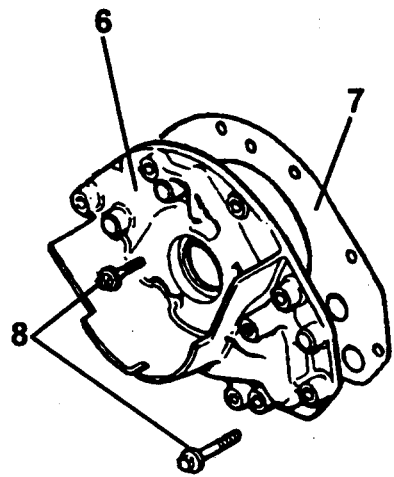
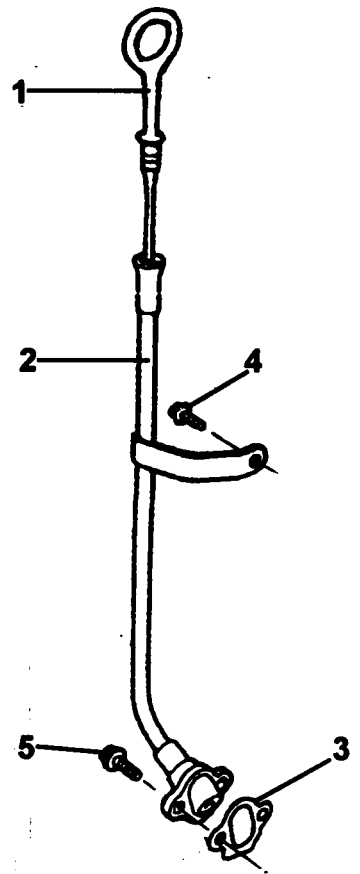
Service Parts List *ELISE*



Function Code 40.15 Lubrication System

<u>Dep</u>	<u>Part Description</u>	<u>Remarks</u>	<u>Option</u>	<u>Part Number</u>	<u>Qty</u>
01	Dipstick			A111E6004F	1
02	Dipstick Tube		A111E6005F R/B	B111E0001F	1
03	Gasket, dipstick tube	Also see 40.02		A111E6009F	1
04	Bolt, dipstick tube bracket to block			A111E6006F	1
05	Bolt, dipstick tube flange to block			A111E6007F	2
06	Oil Pump Assembly			A111E6122S	1
06a	Oil Pump Repair Kit	Not illustrated		A111E6346S	1
07	Gasket, oil pump	Also see 40.02		A111E6053S	1
08	Bolt, oil pump to block			A111E6360S	8?
09	Oil Filter Housing			A111E6076S	1
10	Gasket, oil filter housing	Also see 40.02		A111E6101S	1
11	Bolt, oil filter housing to block			A111E6168S	4
12	Engine Oil Filter			A111E6038S	1
13	Oil Pressure Switch, 1/8" NPSF		Prior to 18K4FJ31633935	A111E6099S	1
13a	Oil Pressure Switch, M12 x 1.5mm		From 18K4FJ31633935	A111E6179S	1
14	Washer, oil pressure switch			A111E6180S	1
15	Blanking Plug, oil filter housing			A111E6181S	1

ELISE



ELISE
40.15

Service Parts List

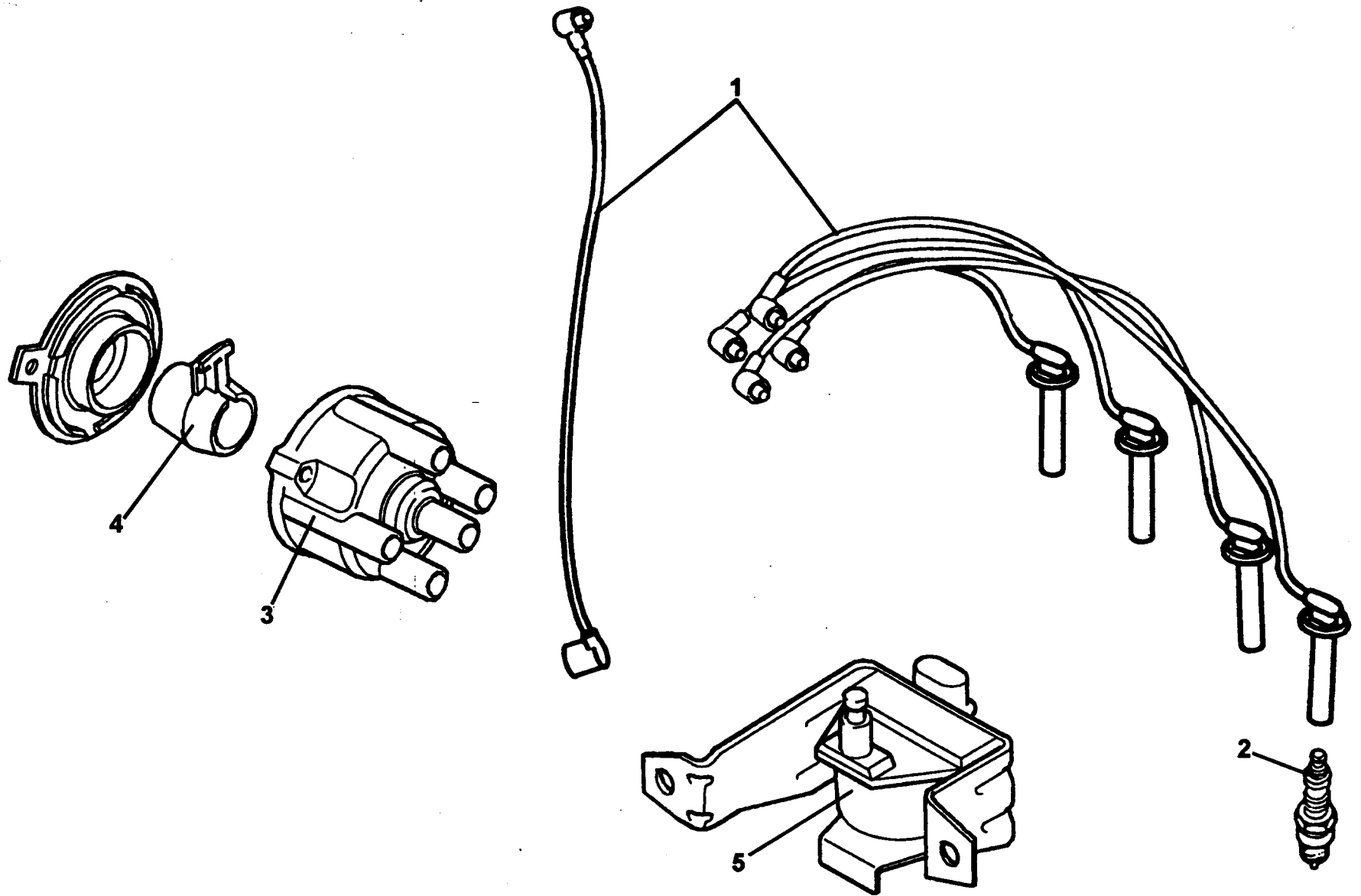
ELISE



Function Code 40.17 Ignition System, Spark plugs, Leads

<u>Dep</u>	<u>Part Description</u>	<u>Remarks</u>	<u>Option</u>	<u>Part Number</u>	<u>Qty</u>
01	HT Lead Set			A111E6040S	1
01a	HT Lead Set, VVC		111S	A111E6281S	1
02	Spark Plug	Champion RC8 PYP		A111E6043S	4
02a	Spark Plug, 190 VHPD	Champion RC6 6YCC	Sport 190	A111E6285S	4
03	Distributor Cap			A111E6037S	1
04	Rotor Arm			A111E6042S	1
05	Ignition Coil			A111E6036S	1
05a	Ignition Coil, VVC		111S	A111E6235S	1

ELISE



ELISE
40.17

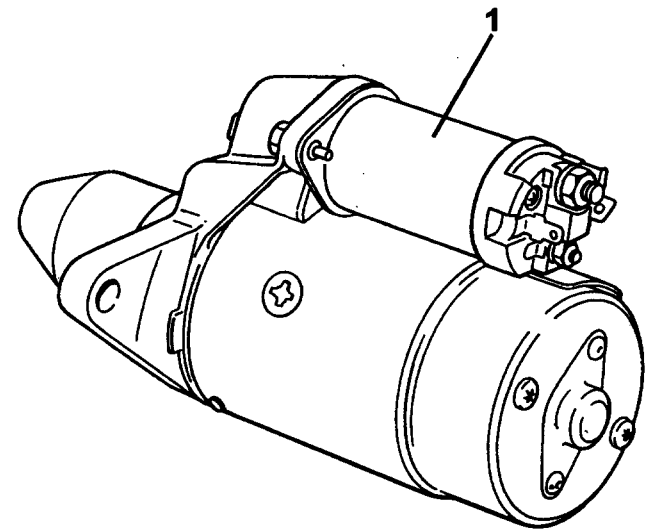
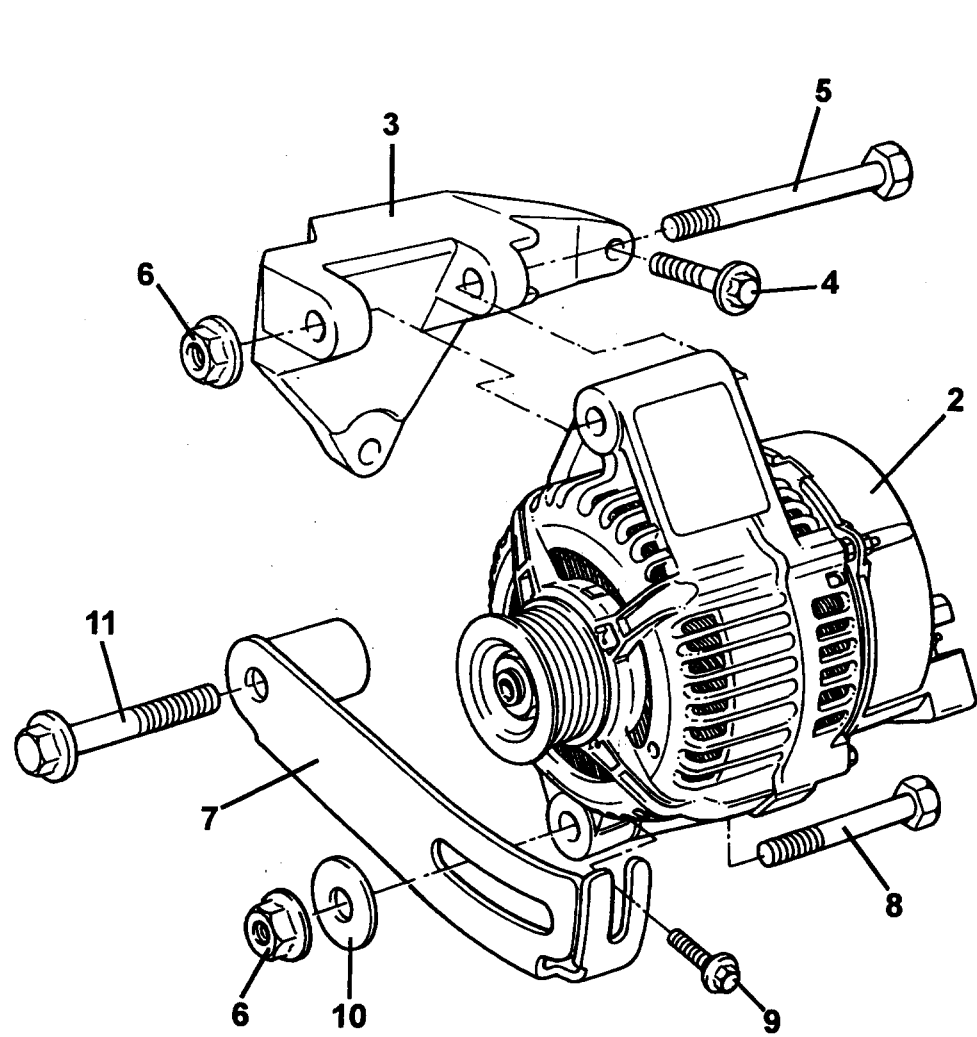
Service Parts List *ELISE*



Function Code 40.19 Alternator and Starter Motor

<u>Dep</u>	<u>Part Description</u>	<u>Remarks</u>	<u>Option</u>	<u>Part Number</u>	<u>Qty</u>
01	Starter Motor, 1KW		Prior to VIN: V0685	A111E6083S	1
01a	Starter Motor, 1.4KW		VIN: V0685 on	A111E6091S	1
02	Alternator			A111E6082S	1
03	Alternator Bracket		Heater cars	A111E6236S	1
04	Bolt, flg. hd., bracket to block			A111E6237S	3
05	Bolt, hex. hd., alternator to bracket			A111E6104F	1
06	Nut, flg. hd., alternator to bracket			A111E6183S	2
07	Alternator Adjustment Link			A111E6238S	1
08	Bolt, hex. hd., alternator to link			A111E6239S	1
09	Setscrew, flg. hd., alternator adjustment			A111E6241S	1
10	Washer, flat			A111E6240S	1
11	Bolt, flg. hd., link to block			A111E6018F	1

ELISE



ELISE
40.19

Service Parts List *ELISE*



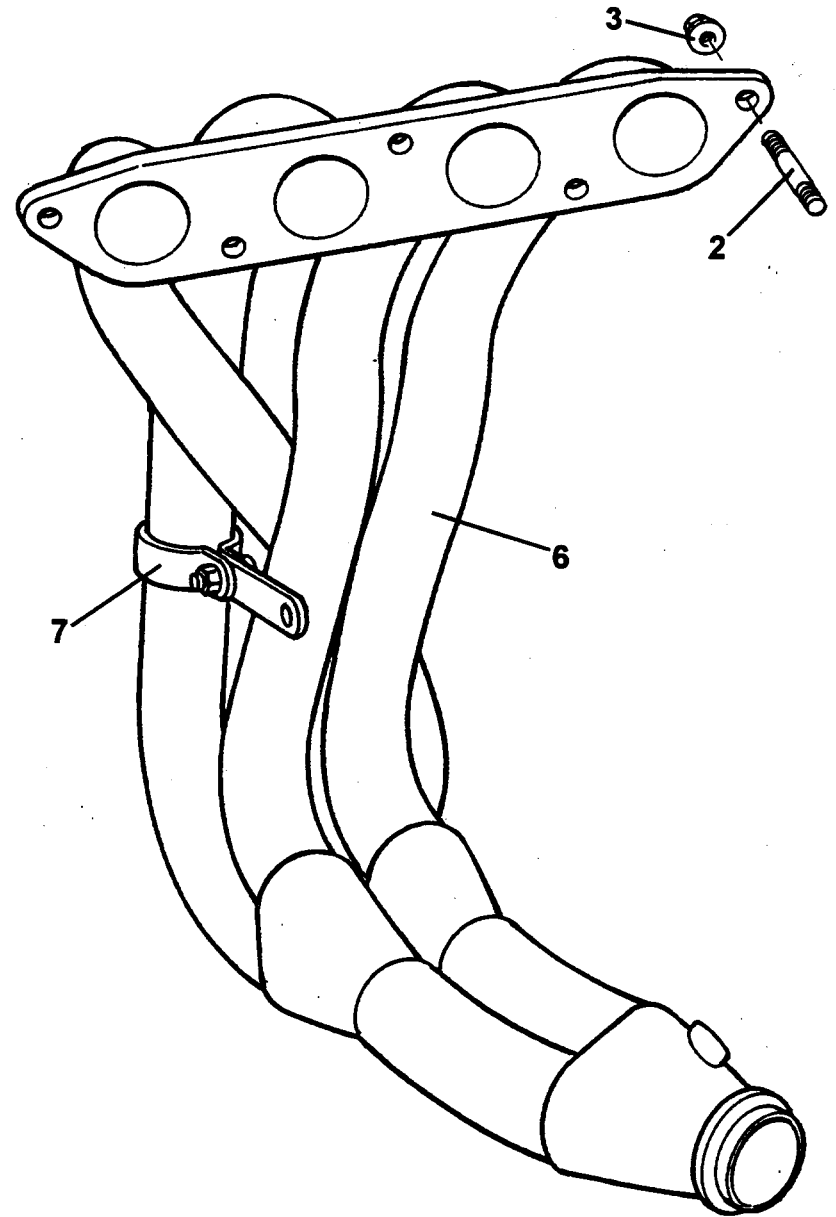
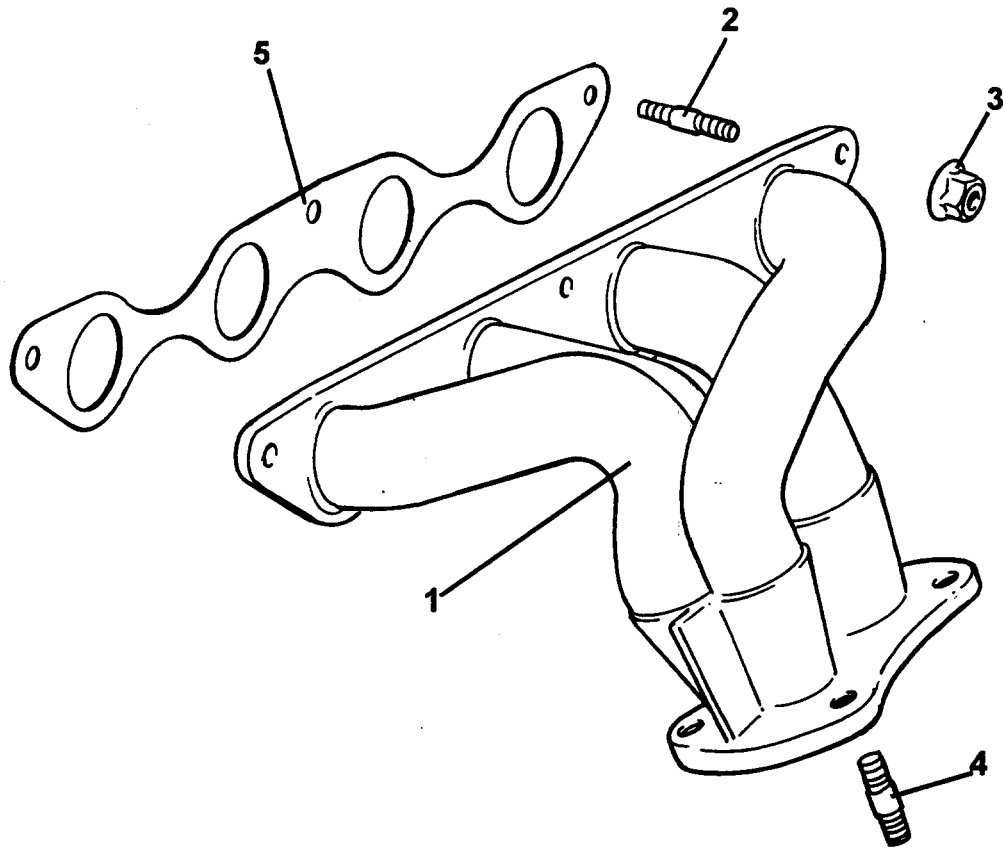
Function Code 40.21 Exhaust Manifold

<u>Dep</u>	<u>Part Description</u>	<u>Remarks</u>	<u>Option</u>	<u>Part Number</u>	<u>Qty</u>
01	Manifold, exhaust			A111E6073S	1
02	Stud, manifold to cylinder head			A111E6148S	5
03	Nut, manifold to cylinder head			A111E6149S	5
04	Stud, manifold to downpipe			A111E6065S	4
05	Gasket, manifold to head	Also see section 40.02		A111E6051S	1
06	Manifold, exhaust		Sport 160	A340S6000H	1
07	Stabiliser Bracket Assembly		Sport 160	A340S6002H	1

ELISE

2000 / 02

Function Code: 40.21, Page: 1



ELISE
40.21

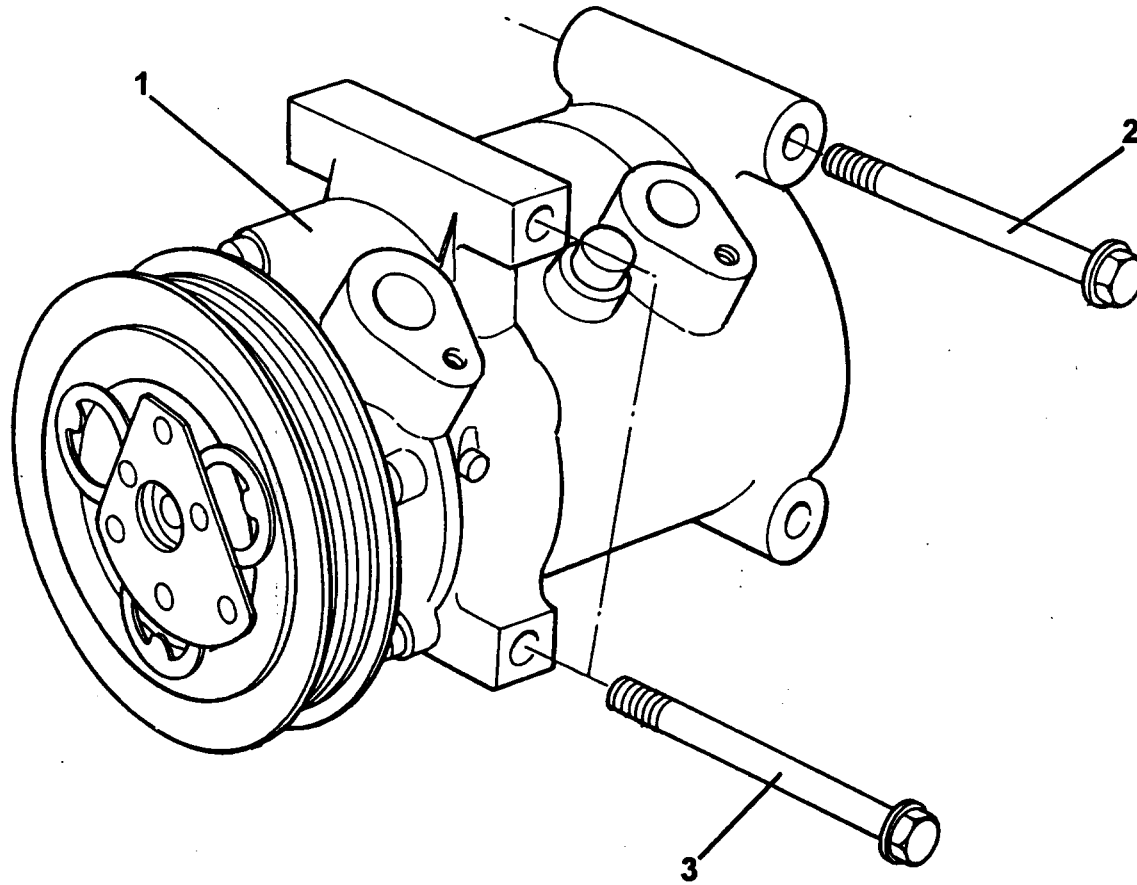
Service Parts List *ELISE*



Function Code 40.23 AC Compressor

<u>Dep</u>	<u>Part Description</u>	<u>Remarks</u>	<u>Option</u>	<u>Part Number</u>	<u>Qty</u>
01	Compressor, AC		AC only	A111E6106F	1
02	Bolt, compressor fix.			A111E6108F	2
03	Bolt, compressor fix.			A111E6104F	1

ELISE



ELISE
40.23

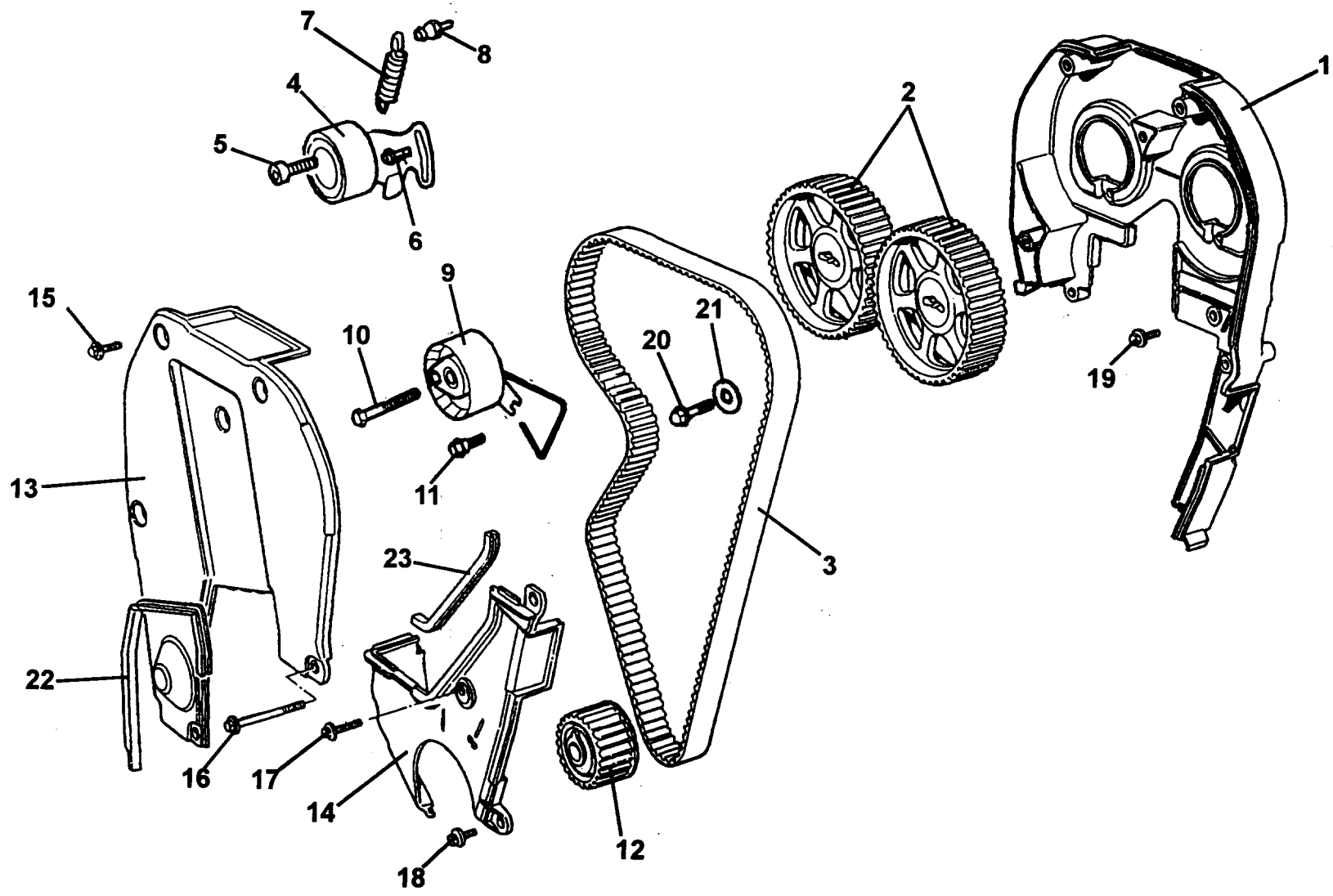
Service Parts List *ELISE*



Function Code 41.01 Camshaft Belts, Guards & Pulleys

<u>Dep</u>	<u>Part Description</u>	<u>Remarks</u>	<u>Option</u>	<u>Part Number</u>	<u>Qty</u>
01	Cover, rear, timing belt			A111E6121S	1
02	Camshaft Pulley, inlet and exhaust			A111E6156S	2
03	Timing Belt, (static tensioner)	To Oct. '98	Prior to engine: 153993	A111E6044S	1
03a	Timing Belt, (dynamic tensioner)	From Oct.'98	From engine: 153993	A111E6246S	1
04	Tensioner Assembly, static	To Oct. '98	Prior to engine: 153993	A111E6117S	1
05	Clamp Screw, M10, belt tensioner	To Oct. '98	Prior to engine: 153993	A111E6116S	1
06	Adjusting Bolt	To Oct. '98	Prior to engine: 153993	A111E6230S	1
07	Spring and Sleeve, belt tensioner	To Oct. '98	Prior to engine: 153993	A111E6118S	1
08	Pillar Bolt	To Oct. '98	Prior to engine: 153993	A111E6231S	1
09	Tensioner Assembly, dynamic	From Oct.'98	From engine: 153993	A111E6243S	1
10	Clamp Screw, M8, belt tensioner	From Oct.'98	From engine: 153993	A111E6244S	1
11	Shoulder Bolt, tensioner spring abutment	From Oct.'98	From engine: 153993	A111E6245S	1
12	Crankshaft Pulley, timing belt			A111E6157S	1
13	Cover, upper front, timing belt			A111E6119S	1
14	Cover, lower front, timing belt			A111E6120S	1
15	Screw, M6 x 35, flg. hd., upper cover fix.			A111E6386S	1
16	Screw, M6, upper cover fix., upper cover fix.			A111E6348S	1
17	Screw, M6, lower cover fix.			A111E6068S	1

ELISE



ELISE
41.01

Function Code 41.01 Camshaft Belts, Guards & Pulleys

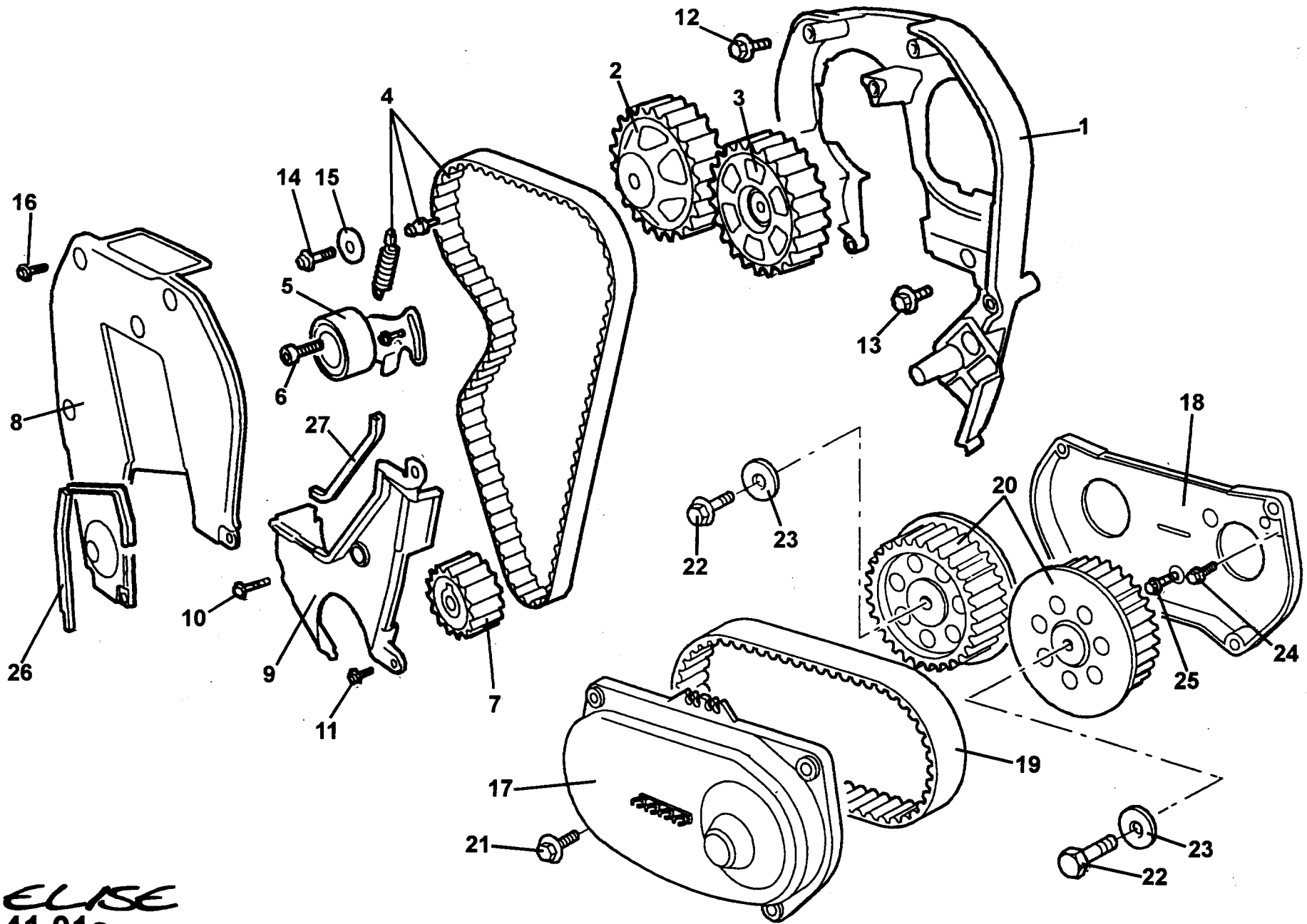
<u>Dep</u>	<u>Part Description</u>	<u>Remarks</u>	<u>Option</u>	<u>Part Number</u>	<u>Q</u>
18	Screw, M6 x 16, lower cover fix.			A111E6351S	1
19	Screw, M6 x 16, rear cover fix.			A111E6339S	1
20	Screw, cam pulley fix.			A111E6280S	2
21	Washer, flat			A111E6279S	2
22	Seal, top cover			A111E6071S	1
23	Seal, bottom cover			A111E6070S	1

ELISE

Function Code 41.01a Camshaft Belts, Guards & Pulleys, VVC

<u>Dep</u>	<u>Part Description</u>	<u>Remarks</u>	<u>Option</u>	<u>Part Number</u>	<u>Qty</u>
01	Cover, rear, timing belt		111S	A111E6357S	1
02	Camshaft Pulley, inlet		111S	A111E6354S	1
03	Camshaft Pulley, exhaust		111S	A111E6353S	1
04	Timing Belt Kit	Includes spring & pedestal bolt	111S	A111E6355S	1
05	Tensioner Assembly		111S	A111E6117S	1
06	Adjusting Bolt, M10, belt tensioner		111S	A111E6006S	1
07	Crankshaft Pulley, timing belt		111S	A111E6274S	1
08	Cover, upper front, timing belt	Includes seals	111S	A111E6358S	1
09	Cover, lower, front, timing belt		111S	A111E6120S	1
10	Screw, M6 x 16, lower cover fix.		111S	A111E6348S	1
11	Screw, M6 x 16, lower cover fix.		111S	A111E6351S	1
12	Screw, M6 x 25, rear cover fix.		111S	A111E6039S	1
13	Screw, M6 x 16, rear cover fix.		111S	A111E6339S	1
14	Screw, cam pulley fix.		111S	A111E6280S	2
15	Washer, flat		111S	A111E6279S	2
16	Screw, M6 x 35, fig. hd., upper cover fix.		111S	A111E6386S	1
17	Cover, rear cam belt, outer		111S	A111E6384S	1
18	Cover, rear cam belt, inner		111S	A111E6385S	1
19	Cam Drive Belt, rear		111S	A111E6336S	1
20	Camshaft Pulley, rear		111S	A111E6335S	2
21	Screw, M6 x 20, fig. hd.		111S	A111E6341S	4

ELISE



ELISE
41.01a

Service Parts List *ELISE*



Function Code 41.03 Auxiliary Drive Belts & Pulleys

<u>Dep</u>	<u>Part Description</u>	<u>Remarks</u>	<u>Option</u>	<u>Part Number</u>	<u>Qty</u>
01	Drive Belt, alternator		Heater cars	A111E6041S	1
02	Drive Belt, AC compressor and alternator		AC cars	A111E6107F	1
03	Auxiliary Belt Pulley			A111E6158S	1
04	Bolt, pulley fix.			A111E6159S	1
05	Washer, special, bolt to pulley			A111E6275S	1

ELISE

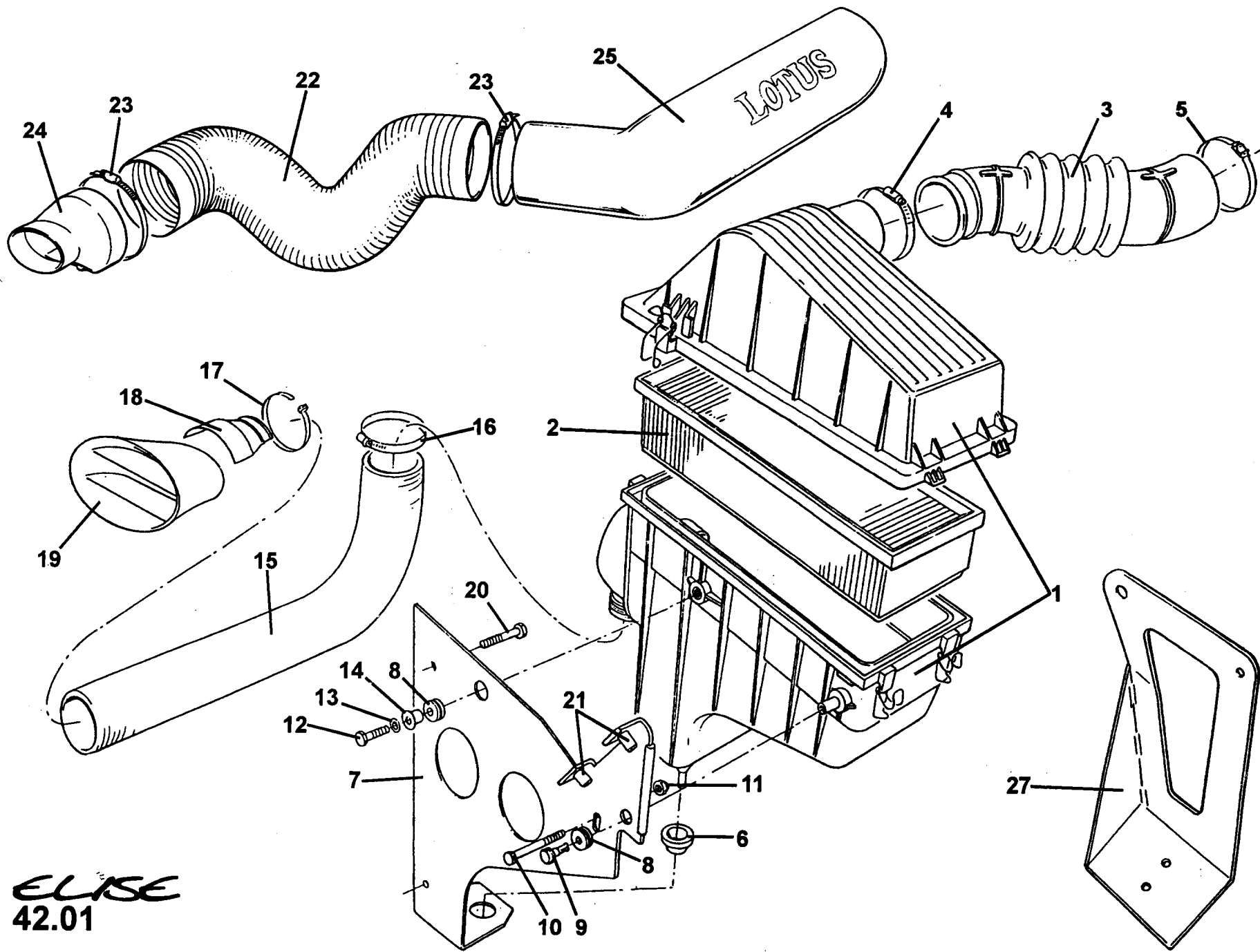
Service Parts List *ELISE*



Function Code 42.01 Airboxes, Trunking & Air Filters

<u>Dep</u>	<u>Part Description</u>	<u>Remarks</u>	<u>Option</u>	<u>Part Number</u>	<u>Qty</u>
01	Air Cleaner Housing Assembly			A111E0015K	1
01a	Air Cleaner Housing Assembly, Lotus 160 engine	In addition to item 1 on WVTA cars, (VIN: Y0651 on)	Sport 160	A111E0048F	1
02	Air Cleaner Element			A111E6022S	1
03	Flexible Hose, air cleaner to throttle body			A111E6010F	1
04	Hose Clip, hose to air cleaner			A075L6044F	1
05	Hose Clip, hose to throttle body			A111E6024F	1
06	Grommet, air cleaner lower mounting			A111E6018F	1
07	Mounting Bracket, air cleaner/fuel filter assembly			C111E0010F	1
08	Grommet, air cleaner upper mounting			A111E6017F	2
09	Pin, air cleaner retention			A111E6012F	2
10	Bolt, M6, hex. hd., bracket to roll-over bar			A075W2031Z	1
11	Nyloc Nut, M6,			A907E6258F	1
12	Setscrew, M6 x 22, hex. hd., filter to bracket			A082W1111F	1
13	Washer, spring, M6			A079W4035Z	1
14	Insert, grommet fix.			A089U1518F	1
15	Intake Hose, duct to air cleaner			A111E6034F	1
16	Hose Clip			A910E7004F	1
17	Tie Wrap, hose to adaptor			A082W6324F	1

ELISE



ELISE
42.01

Function Code 42.01 Airboxes, Trunking & Air Filters

<u>Dep</u>	<u>Part Description</u>	<u>Remarks</u>	<u>Option</u>	<u>Part Number</u>	<u>Qty</u>
18	Adaptor, intake to hose			A111E0017K	1
19	Air Intake Duct	Bonded to rear clamshell		B111B0027F	2
19a	Air Intake Duct, gold	Bonded to rear clamshell	JPS 111S	A111B0670F	2
20	Setscrew, bracket to roll-over bar			A075W1028Z	1
21	Pulsert, M6			A079W6156F	2
22	Intake Hose, duct to airbox		MOTOR SPORT	A111E0022K	1
23	Hose Clip		MOTOR SPORT	A111W6638F	2
24	Adaptor, duct to hose		MOTOR SPORT	A111E0023K	1
25	Carbon Fibre Airbox		MOTOR SPORT	A111E0020J	1
26	Intake Hose, 89mm dia. x 600mm, air cleaner intake	Not illustrated	Sport 160	A111E0047F	1
27	Bracket, primary air filter housing mounting	WVTA cars only	Sport160, from VIN: Y0651		1

ELISE

Service Parts List *ELISE*

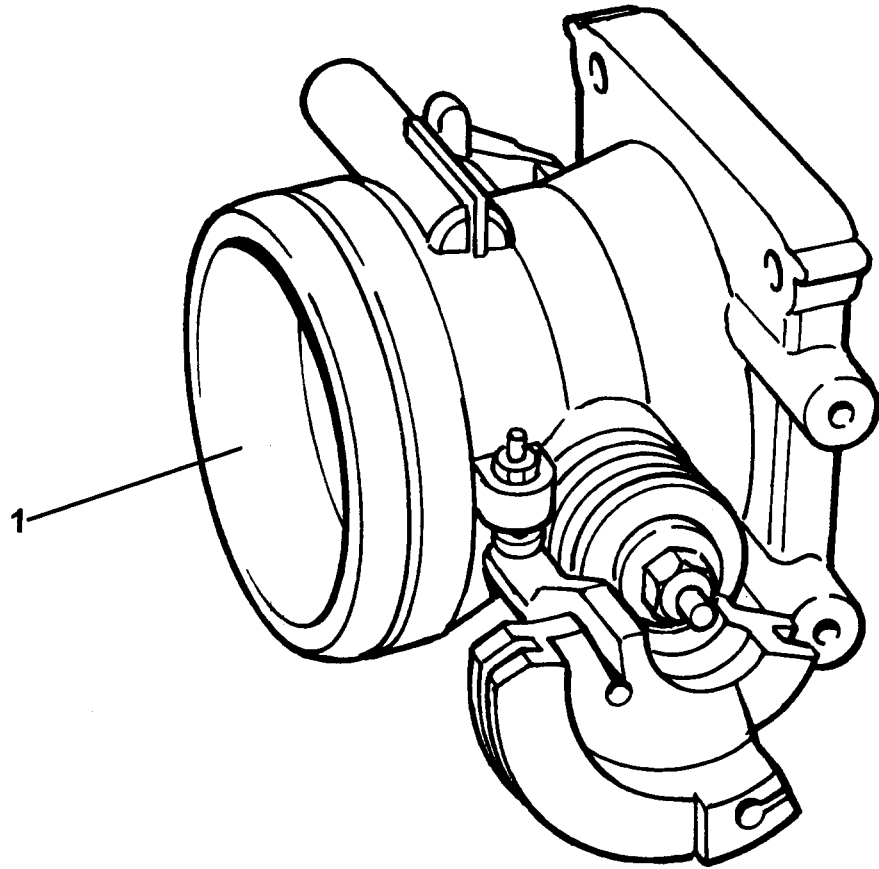


Function Code 42.04 Throttle Body incl. Throttle mechanism

<u>Dep</u>	<u>Part Description</u>	<u>Remarks</u>	<u>Option</u>	<u>Part Number</u>	<u>Qty</u>
01	Throttle Body	Also see 17.06		A111E6128S	1

ELISE

2000 / 01



ELISE
42.04

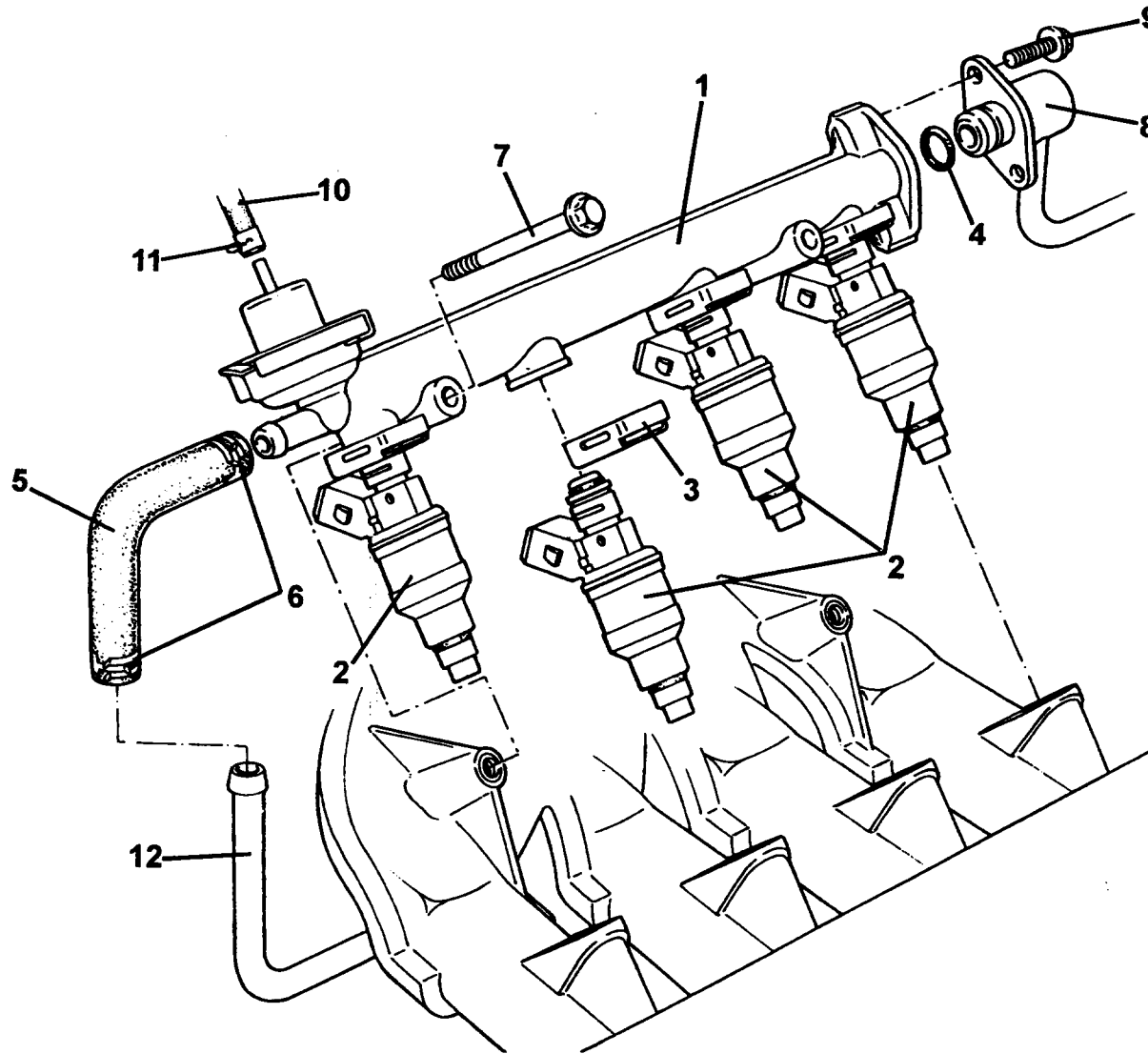
Service Parts List *ELISE*



Function Code 42.05 Fuel Injection System. also see 17.06

<u>Dep</u>	<u>Part Description</u>	<u>Remarks</u>	<u>Option</u>	<u>Part Number</u>	<u>Qty</u>
01	Fuel Rail.	Also section 17.06		A111E6079S	1
02	Injector.	Also section 17.06		A111E6060S	4
03	Clip, injector retainer			A111E6162S	4
04	'O' Ring, fuel filter to fuel rail.			A111E6142S	1
05	Elbow Hose, fuel return/regulator.			A111L6032S	1
06	Hose Clip			A111L6034S	2
06	Bolt, securing fuel rail.			A111E6160S	2
07	Hose Assembly, fuel feed / rail			A111L6030S	1
08	Bolt, fixing fuel filter to fuel rail.			A111L6035S	2
10	Idle Air Control Valve	Also section 17.06		A111E6132S	1
11	Vacuum Hose, regulator to manifold			A111E6078S	1
11a	Clip, vacuum hose securing			A111E6161S	1
12	Fuel Pipe, return hose			A111L6031S	1
	Fuel Pipe, feed to fuel rail	Not illustrated	MOTOR SPORT	A111L6039S	1
	Fuel Pipe, return from fuel rail	Not illustrated	MOTOR SPORT	A111L6040S	1

ELISE



ELISE
42.05

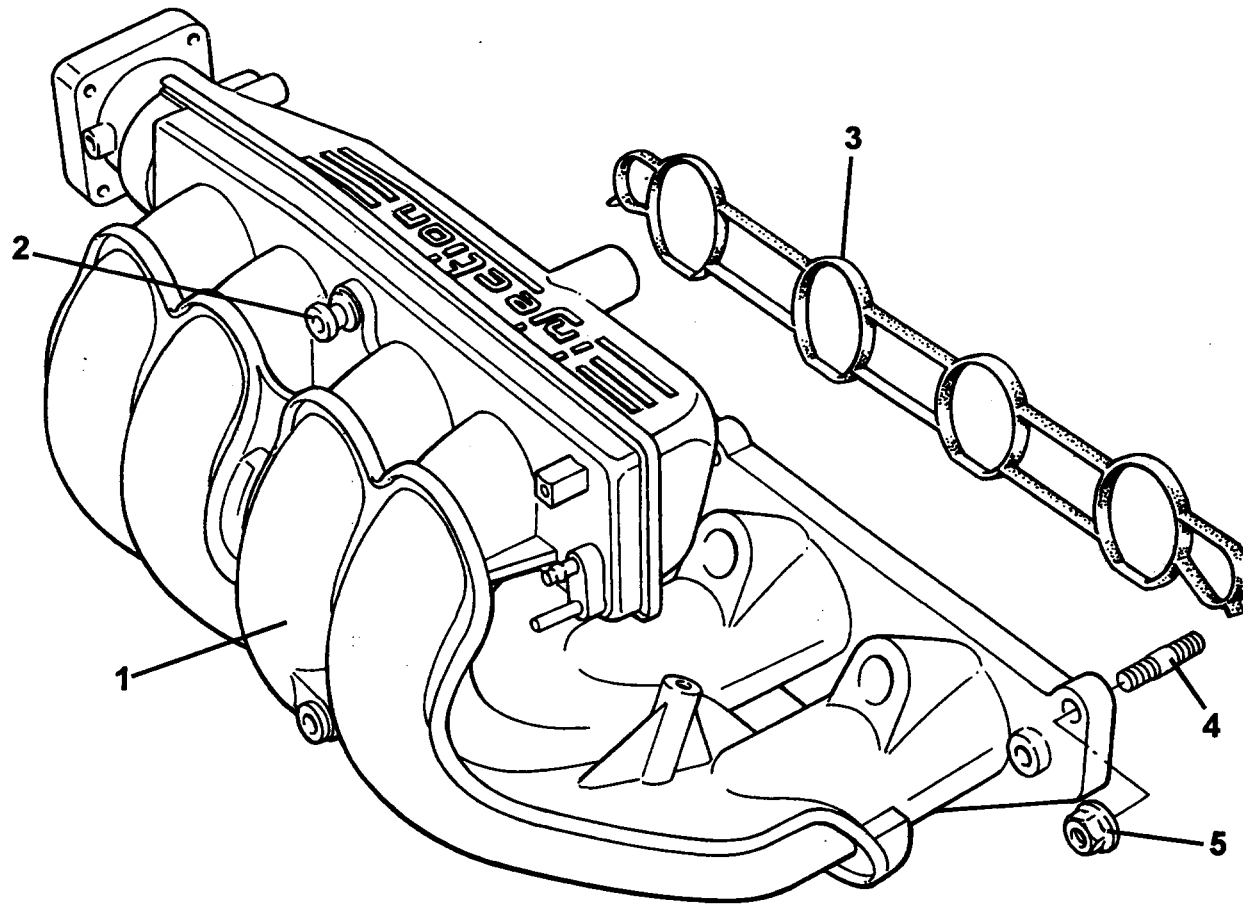
Service Parts List *ELISE*



Function Code 42.07 Inlet Manifolds, Plenum & Gaskets

<u>Dep</u>	<u>Part Description</u>	<u>Remarks</u>	<u>Option</u>	<u>Part Number</u>	<u>Qty</u>
01	Inlet Manifold			A111E6072S	1
02	Vacuum Pipe Union			A111E6327S	1
03	Gasket, inlet manifold (green)	Also see section 40.02	*A111E6086S (black) R/B	B111E6086S	1
04	Stud, inlet manifold		*A111E6081S (3 off) R/B	B111E6081S	7
05	Nut, inlet manifold fix.		*A111E6164S (3 off) R/B	A111E6326S	7
06	Bolt, inlet manifold fix.	Not illustrated	*Obsolete	A111E6065S	4
*Replace items: 3/4/5/6 as a set					

ELISE

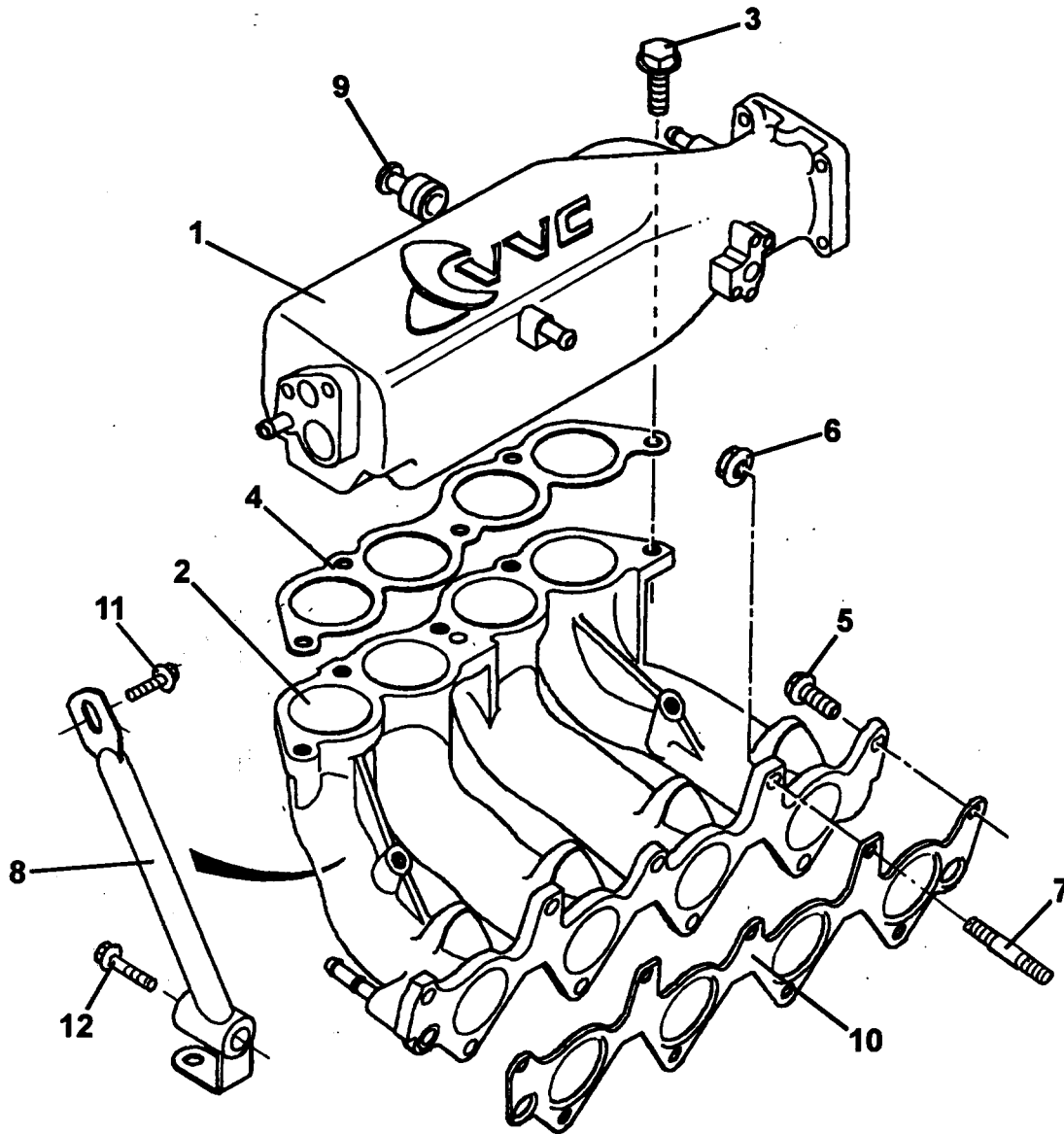


ELISE
42.07

Function Code 42.07a Inlet Manifolds, Plenum & Gaskets VVC

<u>Dep</u>	<u>Part Description</u>	<u>Remarks</u>	<u>Option</u>	<u>Part Number</u>	<u>Qty</u>
01	Plenum		111S	A111E6320S	1
02	Inlet Manifold		111S	A111E6321S	1
03	Bolt, plenum to manifold			A111E6324S	5
04	Gasket, plenum to manifold	Also see 40.02	111S	A111E6322S	1
05	Bolt, manifold to head			A111E6165S	7
06	Nut, manifold fix.			A111E6326S	2
07	Stud, manifold to head			A111E6081S	2
08	Support Stay, manifold assy.		111S	A111E6237S	1
09	Vacuum Pipe Union			A111E6327S	1
10	Gasket, manifold to head	Also see 40.02	111S	A111E6323S	1
11	Screw, M8 x 16, fhex, flg. hd., stay to manifold			A111Q6010S	1
12	Screw, hex. flg. hd., stay to head			A111E6237S	1

ELISE



ELISE
42.07a

Service Parts List *ELISE*



Function Code 44.01 Fuel Tanks, Filler

<u>Dep</u>	<u>Part Description</u>	<u>Remarks</u>	<u>Option</u>	<u>Part Number</u>	<u>Qty</u>
01	Fuel Tank	Non AC chassis cars	Prior to VIN* (see below)	F111L0002F	1
01a	Fuel Tank	AC commonisation chassis cars	From VIN* (see below)	A111L0033F	1
02	Pipe, fuel filler			A111L0009F	1
03	Filler Neck			B111L0008F	1
04	Pipe, fuel breather			A111L0010F	1
05	Fuel Filler Cap, locking			A111L0026J	1
05a	Fuel Filler Cap, sport, non-locking	Not illustrated	MOTOR SPORT	A111L0043S	1
06	Ring, fuel filler neck clamping			A079L4034F	1
06a	Gasket, clamping ring	Not illustrated		A079L4035F	1
07	Setscrew No 6 x 1/2", filler neck to body			A089W5138F	4
08	Hose Clip, dia. 25-40mm			A075M6145F	4
09	Hose Clip, dia. 50-70mm			A100E6082F	4
10	Setscrew, M8 x 25, tank to chassis			A075W1039Z	4
11	Washer, spring, M8, tank to chassis			A075W4036Z	4
12	Washer, flat, M8, tank to chassis			A075W4019Z	4

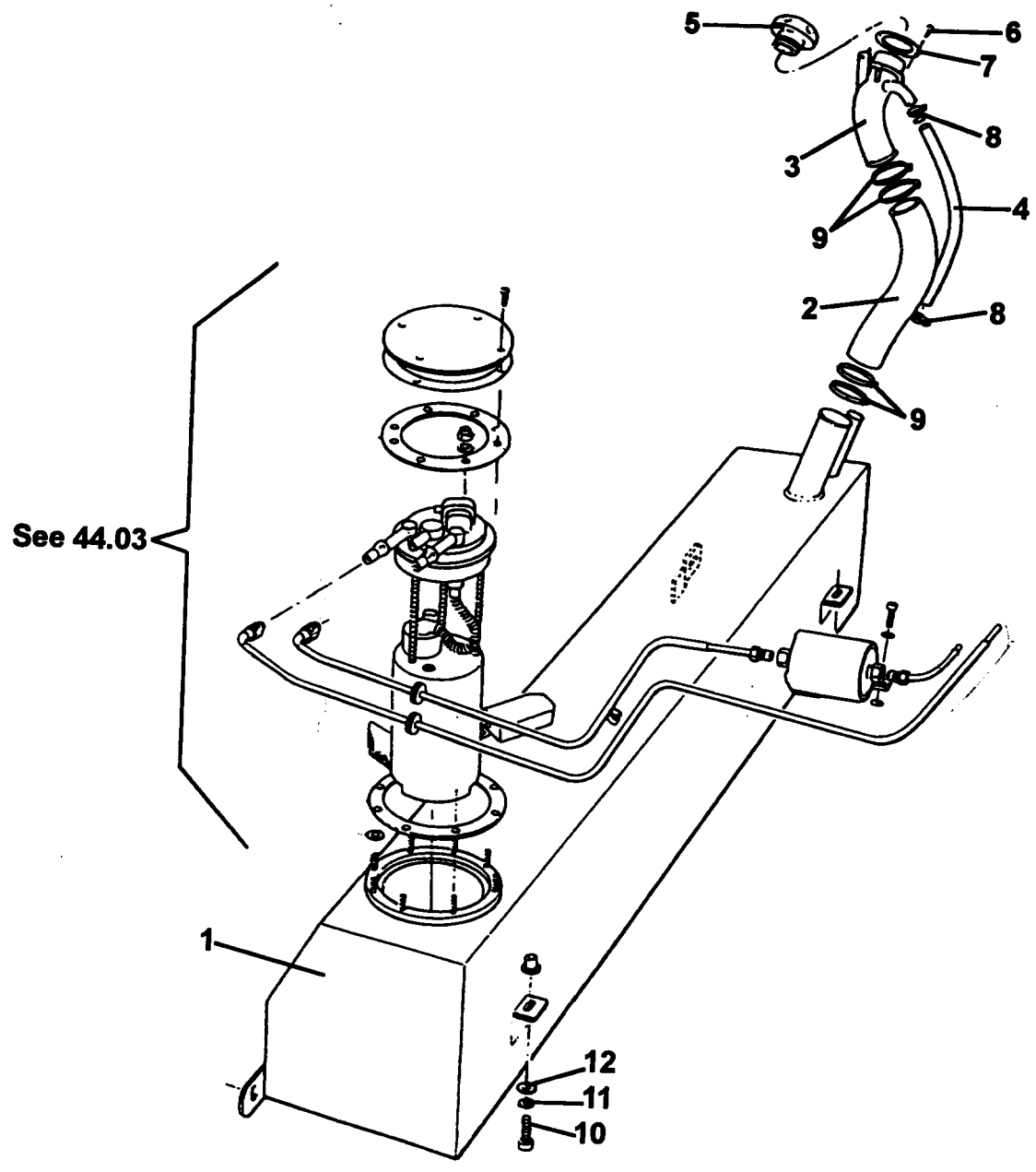
*VIN: V1685 (approx.) plus 1672,
1673. 1677, 1682, less 1694, 1708

ELISE

Function Code: 44.01, Page: 1

2000 / 01

ELISE
44.01



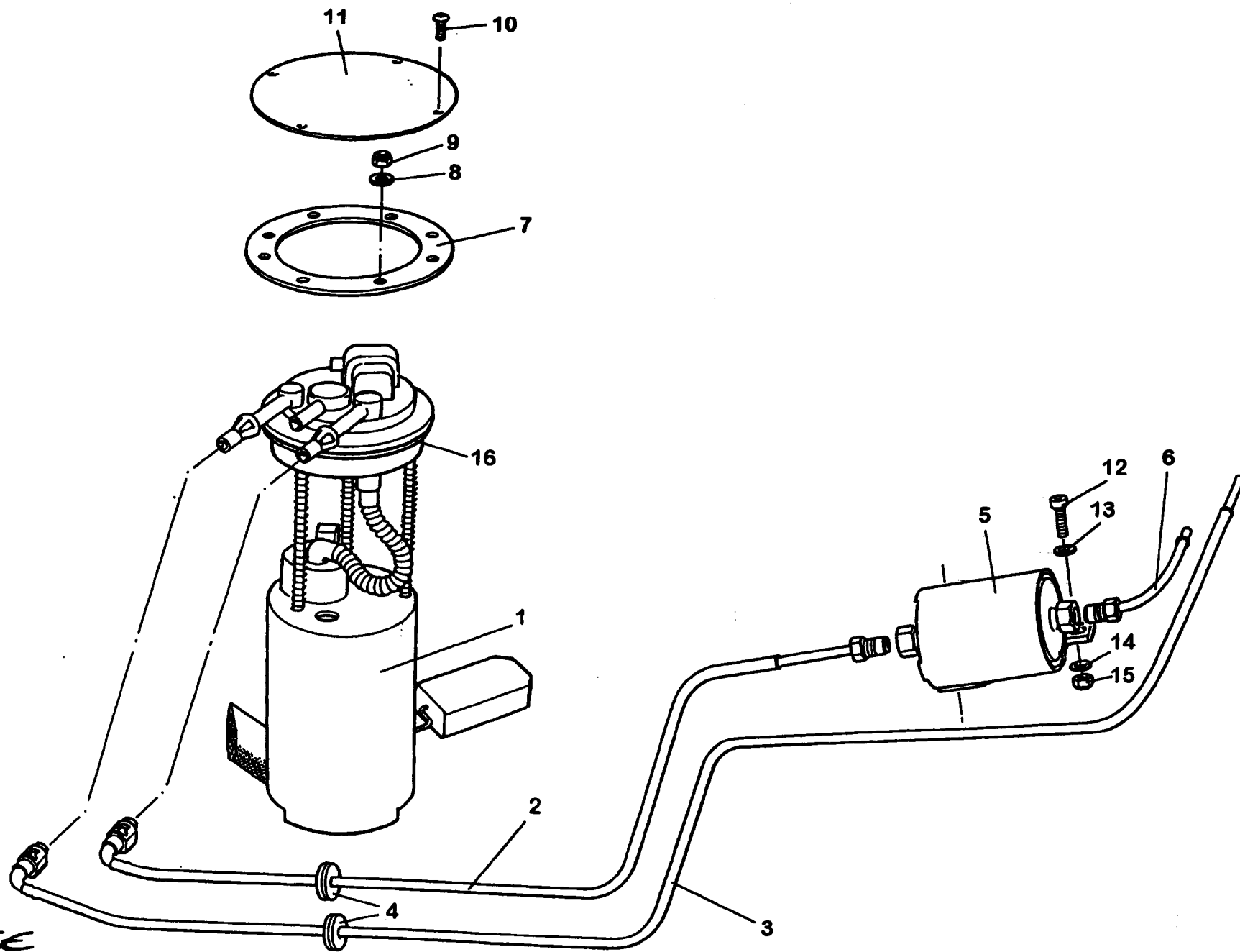
Service Parts List *ELISE*



Function Code 44.03 Fuel Pump; Filter, Pipes

<u>Dep</u>	<u>Part Description</u>	<u>Remarks</u>	<u>Option</u>	<u>Part Number</u>	<u>Qty</u>
01	Fuel Pump and Sender Unit			A111L6007F	1
02	Fuel Pipe Assembly , feed		A111L0020F R/B	A111L0038F	1
03	Fuel Pipe Assembly, return		A111L0021F R/B	A111L0040F	1
04	Grommet			A082L6181F	2
05	Fuel Filter Housing Assembly	Includes pipe Item 6		A111L6002F	1
05a	Fuel Filter Element	Not illustrated		A111L6037S	1
06	Adaptor, filter outlet / hose			A111L6038S	1
07	Clamp Ring, fuel pump (part of tank assy)			A111L0004H	1
08	Washer, pump to tank			A082W4099F	8
09	Nyloc Nut, pump to tank			A075W3049F	8
10	Screw, access cover			A111W7117F	4
11	Access Panel, fuel tank			A111L0015F	1
11a	'O' Ring, access cover			A111L6015F	1
12	Setscrew, filter / bracket to hoop			A075W1029Z	4
13	Washer, spring, filter/ bracket to hoop			A075W4035Z	4
14	Washer, flat, filter / bracket to hoop			A075W4015Z	4
15	Nyloc Nut, filter / bracket to hoop			A075W3009Z	4
16	'O' Ring, fuel pump to tank			A111L6008F	1

ELISE



ELISE
44.03

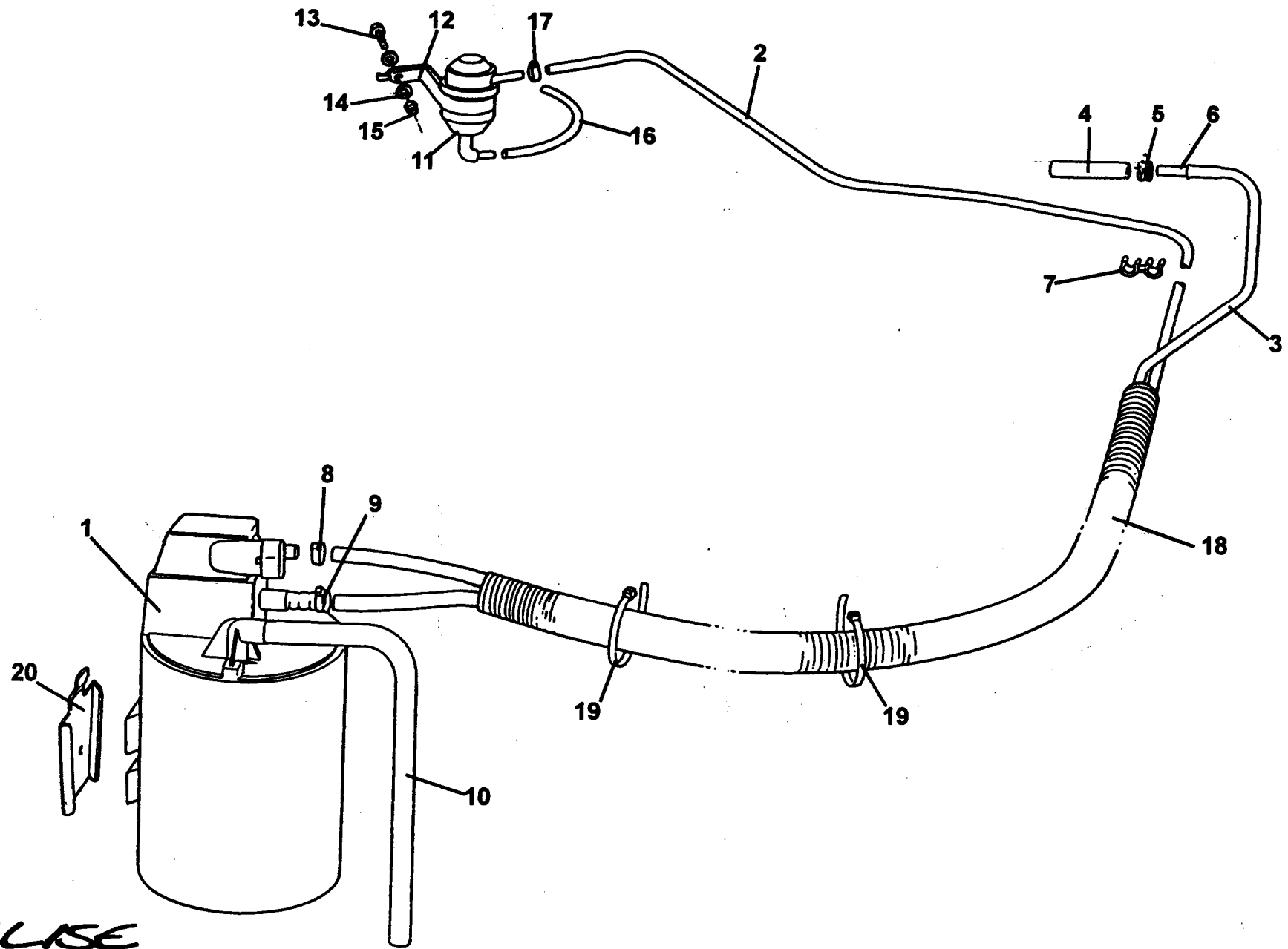
Service Parts List *ELISE*



Function Code 44.05 Charcoal Canister & Evaporative Loss System.

<u>Dep</u>	<u>Part Description</u>	<u>Remarks</u>	<u>Option</u>	<u>Part Number</u>	<u>Qty</u>
01	Charcoal Canister Assembly	Includes items 1 to 10		C111L0012F	1
02	Pipe, canister to roll over valve	Part of assembly, item 1	A111L0017H R/B	C111L0012F	1
03	Pipe, canister to manifold	Part of assembly, item 1	A111L0018H R/B	C111L0012F	1
04	Hose, connector to manifold	Part of assembly, item 1	A111L6019H R/B	C111L0012F	1
05	Clip, hose to manifold connector	Part of assembly, item 1	A111L6017H R/B	C111L0012F	2
06	Connector, pipe to hose	Part of assembly, item 1	A111L6013H R/B	C111L0012F	1
07	Clip, pipe to pipe	Part of assembly, item 1	A111L6018H R/B	C111L0012F	3
08	Clip, pipe fixing	Part of assembly, item 1	A111L6014H R/B	C111L0012F	2
09	Clamp, manifold pipe to canister	Part of assembly, item 1	A111L6016H R/B	C111L0012F	1
10	Hose , canister to atmosphere	Part of assembly, item 1	A111L0019H R/B	C111L0012F	1
11	Roll Over Valve			A111L6011H	1
12	Mounting Clamp, roll over valve			A111L6012H	1
13	Setscrew, M5 x 16, roll over valve fix.			A082W1088F	1
14	Washer, M5, roll over valve fix.			A075W4011Z	2
15	Nyloc Nut, M5, roll over valve fix			A075W3008Z	1
16	Hose, roll over valve to filler neck			A111L0011H	1
17	Clip, pipe fixing			A111L6027H	1
18	Convolutated Tube, pipe protection			A111L6024V	1

ELISE



ELISE
44.05

Function Code 44.05 Charcoal Canister & Evaporative Loss System.

<u>Dep</u>	<u>Part Description</u>	<u>Remarks</u>	<u>Option</u>	<u>Part Number</u>	<u>Qty</u>
19	Bracket, charcoal canister			A111L6009F	1
20	Charcoal Canister Assembly	Includes items 1 to 13		B111L0012F	1
21	Clamp, manifold pipe to canister			A111L6016H	1

ELISE

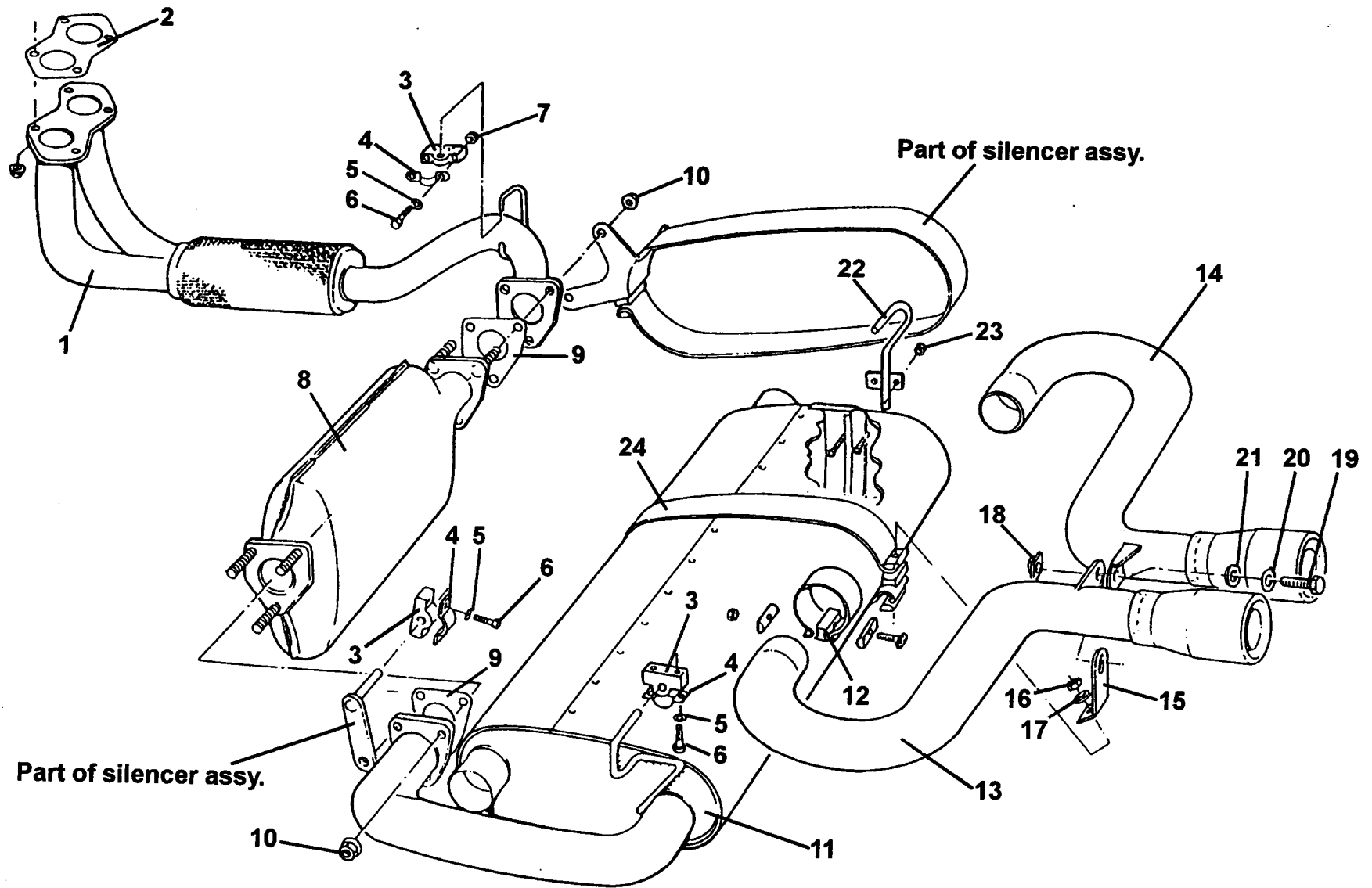
Service Parts List *ELISE*



Function Code 45.01 Exhaust system

<u>Dep</u>	<u>Part Description</u>	<u>Remarks</u>	<u>Option</u>	<u>Part Number</u>	<u>Qty</u>
01	Downpipe			A111S0002F	1
02	Exhaust Mounting, silicon, blue		A111S6002F R/B from VIN: Y 1153	A111S0071F	1
03	Exhaust Mounting, rubber, black			A111S6002F	3
04	Clip, exhaust hanger			A111S0023K	4
05	Washer, flat, M6 x 18 x 1			B082W4018F 11	16
06	Bolt, M6 x 35	Exhaust mtg, fixing		A075W2029Z	8
07	Washer, spring, M6	Exhaust mtg, fixing		A075W4035Z	8
08	Catalyst	Includes studs		B111S6001F	1
08a	Catalyst, motorsport	Includes studs	Sport 160 prior to VIN: Y0651	A340S6010S	1
09	Gasket, downpipe to catalyst			A111S6014F	2
10	Nut, M10 x 1.5, flg. hd.			A111W3151F	10
11	Silencer			B111S0001F	1
11a	Silencer	VVC/ Lotus 160 engines	111S, Sport 160 from VIN: Y0651	A111S0059F	1
11b	Sport Silencer Kit,	Includes tailpipes, & fixings	Sport 135, 160, 190	A111S0037S	1
12	Clamp, 48mm, tail pipes to silencer			A111S6007F	2
12a	Clamp, 40mm, tail pipes to silencer	VVC/ Lotus 160 engines	111S, Sport 160 from VIN: Y0651	A111S0063F	2
13	Tail Pipe, LH			B111S0031F	1

ELISE



ELISE
 45.01

Function Code 45.01 Exhaust system

<u>Dep</u>	<u>Part Description</u>	<u>Remarks</u>	<u>Option</u>	<u>Part Number</u>	<u>Qty</u>
13a	Tail Pipe, LH	VVC/ Lotus 160 engines	111S, Sport 160 from VIN: Y0651	A111S0061F	
14	Tail Pipe, RH			B111S0032F	1
14a	Tail Pipe, RH	VVC/ Lotus 160 engines	111S, Sport 160 from VIN: Y0651	A111S0060F	1
15	Support Bracket	Tailpipe to silencer fixing		A111S0018F	1
16	Nut, M8 x 1.25	Exhaust bracket to silencer band		A111W3154F	1
17	Washer, M8 , bracket to band			A075W4020Z	1
18	Nut Plate Assembly	Exhaust bracket to tailpipe fixing		A111S0019F	1
19	Setscrew, M8 x 20	Exhaust bracket to tailpipe fixing		A075W1038Z	1
20	Washer, spring ,M8	Exhaust bracket to tailpipe fixing		A075W4036Z	1
21	Washer, flat, M8 x 16.6	Exhaust bracket to tailpipe fixing		A075W4020Z	1
22	Exhaust Hanger	RH of silencer		A111S6003F	1
23	Nut, M8 x 1.24	Exhaust hanger to silencer		A111W3154F	2
24	Clamp, (Torca band)	Exhaust silencer to rear bracket fixing		A111S6015F	1
25	Pipe, manifold to catalyst		Sport 160	A340S6001S	1
26	Clamp, pipe to manifold		Sport 160	A340S6003F	1
27	Gasket, manifold to downpipe			A111S6005F	1
28	Pipe, catalyst replacement	Not illustrated	MOTOR SPORT	A111S0048S	1

ELSE

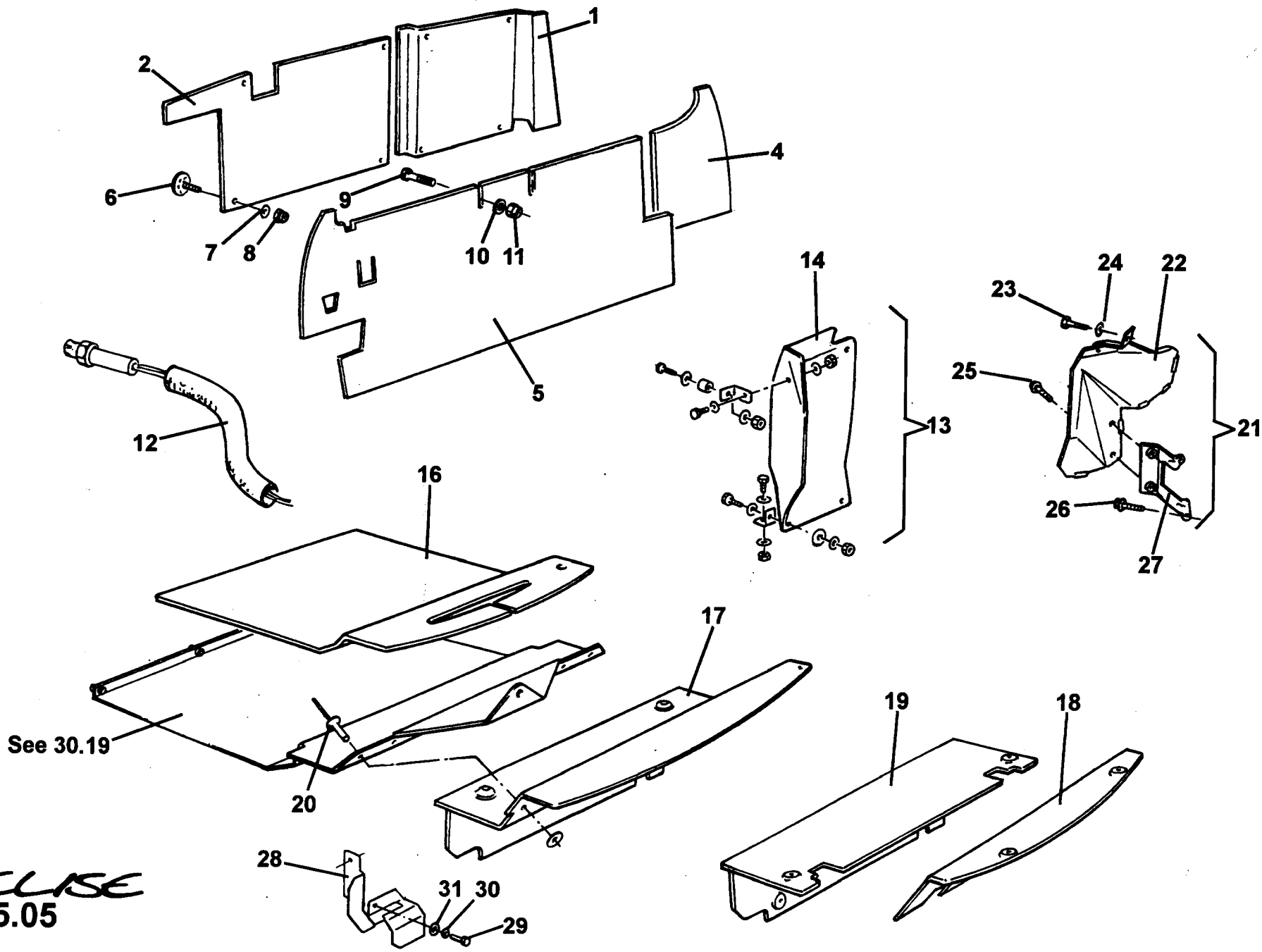
Service Parts List *ELISE*



Function Code 45.05 Heatshields

<u>Dep</u>	<u>Part Description</u>	<u>Remarks</u>	<u>Option</u>	<u>Part Number</u>	<u>Qty</u>
01	Heatshield, bulkhead RH	Phenolic resin		B111S0016K	1
02	Heatshield, bulkhead LH	Phenolic resin		B111S0015K	1
03	Heatshield, bulkhead, one piece	Foiled foam mat, not illustrated	Prior to AC bulkhead	B111S0036F	1
04	Heatshield, bulkhead RH	Foiled foam mat	AC commonised bulkhead	A111S0044F	1
05	Heatshield, bulkhead LH	Foiled foam mat	AC commonised bulkhead	A111S0045F	1
06	'Bighead' Fastener, bonded to bulkhead			A111W6575F	8
07	Washer, flat, M6 x 18 x 1			B082W4018F	8
08	Nut, nyloc, M6			A075W3009F	8
09	Screw, M5 x 16, pan hd., pozi.			A082W5107F	4
10	Washer, flat, M5 x 25 x 1.4			A082W4098F	4
11	Nut, nyloc, M5			A100W3113F	4
12	Heat Sleeve, oxygen sensor			A111E6026S	1
13	Heatshield Kit	Bulkhead mounted	A111E0014K R/B	A111S0043S	1
14	Heatshield, manifold,	Bulkhead mounted, part of kit, item 13	From VIN; V 0549, see S/B 1997/13	A111S0040K	1
14a	Heatshield, manifold	Bulkhead mounted	AC cars	A111S0046K	1
15	Heatshield, manifold	Engine mounted, not illustrated	Prior VIN: V 0549, A111S0025F, replaced by kit	A111S0043S	1
16	Heatshield, boot floor	Alloy floor	Prior to VIN* (see below)	A111S0024F	1

ELISE



ELISE
45.05

Function Code 45.05 Heatshields

<u>Dep</u>	<u>Part Description</u>	<u>Remarks</u>	<u>Option</u>	<u>Part Number</u>	<u>Qty</u>
16a	Heatshield, boot floor	Composite floor (bootbox)	From VIN* (see below)	A111S0053F	1
17	Heatshield, catalyst,	One piece, alloy floor, replaces two piece type	Prior to VIN* (see below)	A111S0041K	1
18	Heatshield, catalyst, upper	Composite floor (bootbox)	From VIN* (see below)	A111S0054F	1
19	Heatshield, catalyst, lower	Composite floor (bootbox)	From VIN* (see below)	A111S0055F	1
20	Pop Rivet, 3/16, large flange, heatshield to floor/longerons			A089W6297F	3
21	Heatshield Kit, alternator/cam belt	Comprising items 22 to 27	From VIN: X 5329, see S/B 1999/04	A111E0044S	1
22	Heatshield, alternator/cam belt			A111E6218F	1
23	Setscrew, M8 x 20, flg. hd., heatshield to head			A075W4032Z	1
24	Washer, spring, M8			A075W4032Z	1
25	Setscrew, M6 x 12, flg. hd., heatshield to bracket			A111E6007F	2
26	Setscrew, M10, flg. hd., bracket to block			A111E6225F	1
27	Mounting Bracket, heatshield			A111E6224F	1
28	Heatshield, balljoint		From VIN: Y 0939	A111S0074F	1
29	Screw, M6 x 12, hex. hd., heatshield fix.		From VIN: Y 0939	A075W1027Z	3
30	Washer, spring, M6		From VIN: Y 0939	A075W4035Z	3
31	Washer, flat, M6 x 15 x 1.5		From VIN: Y 0939	A075W4015Z	3

*VIN: W4976 (approx.) plus:
4140, 4315, 4365, 4383, less
4653

ELISE

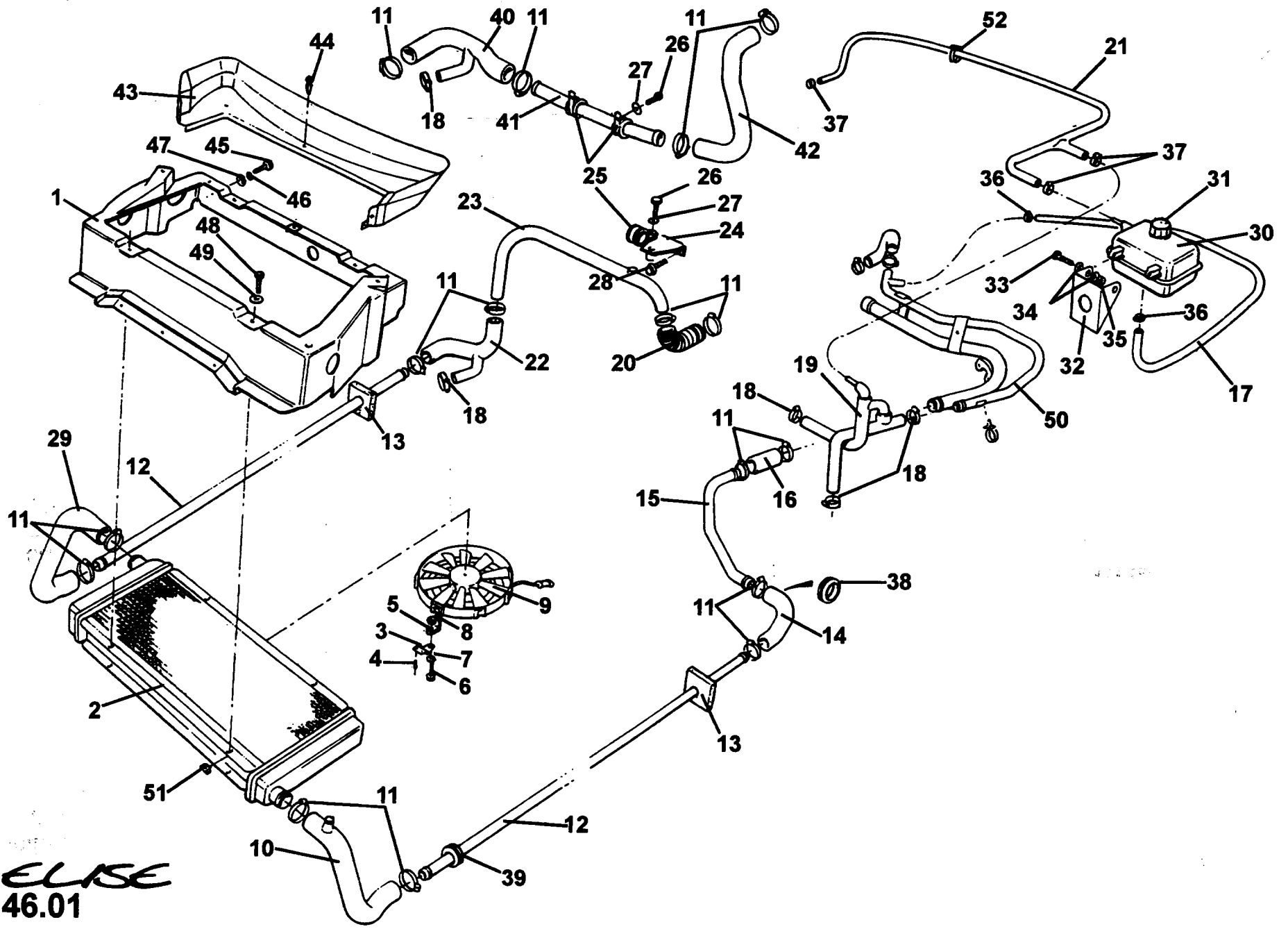
Service Parts List *ELISE*



Function Code 46.01 Engine Cooling System & Fan, Heater Cars

<u>Dep</u>	<u>Part Description</u>	<u>Remarks</u>	<u>Option</u>	<u>Part Number</u>	<u>Qty</u>
01	Radiator Housing			C111B0018K	1
02	Radiator		15 fpi prior to '98 MY	B111K0006F	1
02a	Radiator		20 fpi AC & '98 MY	A111K0021F	1
03	Bracket, radiator fan mtg.			A111K0001F	4
04	Pop Rivet			A075W6086Z	8
05	Bracket, radiator fan mtg.			A111K6003F	4
06	Setscrew, M6 x 16			A075W1028Z	4
07	Washer, M6			A075W4017Z	4
08	Nyloc Nut, M6			A907E6285F	4
09	Radiator Fan			A111K6002F	1
10	Hose, pipe to radiator LH (Incl. bleed valve)			A111K0007F	1
11	Hose Clip, 25-40mm			A075M6145F	12
12	Pipe, chassis water rail		A111K0005F R/B	A111K0041F	2
13	Seal, pipe to chassis			A111A0033F	4
14	Hose, engine inlet			A111K0016F	1
15	Pipe, engine inlet			A111K0017F	1
16	Hose, engine inlet			A111K0015F	1
17	Hose, header tank to engine			A079P4056F	1

ELISE

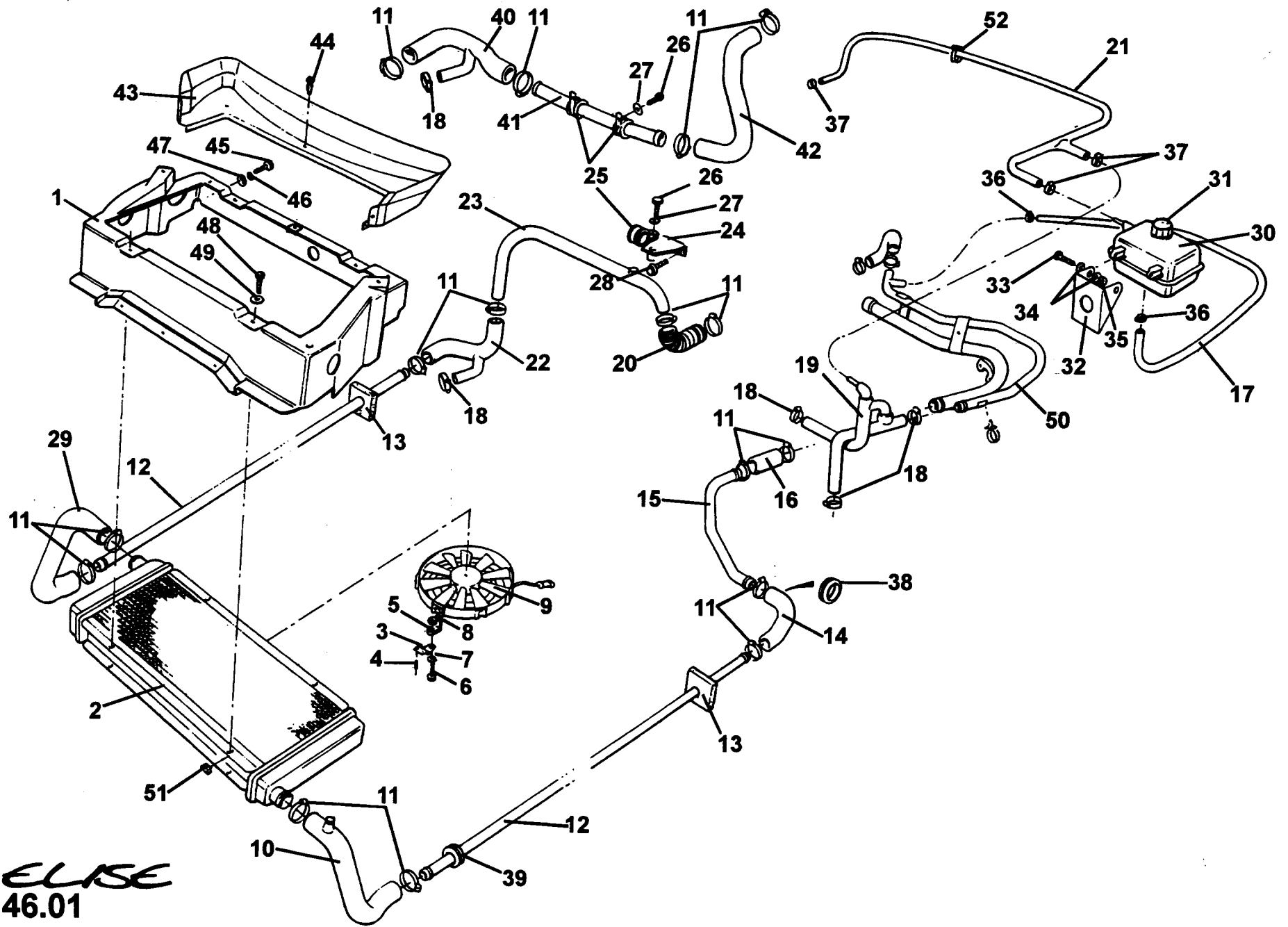


ELISE
 46.01

Function Code 46.01 Engine Cooling System & Fan, Heater Cars

<u>Dep</u>	<u>Part Description</u>	<u>Remarks</u>	<u>Option</u>	<u>Part Number</u>	<u>Qty</u>
18	Hose Clip, 16-25mm			A079K6018F	11
19	Hose, coolant bypass heater return			A111K0004K	1
20	Hose, engine water outlet			C111K0011F	1
21	Hose, header tank bleed			A111K0040F	1
22	Hose, engine outlet/heater feed			C111K0002F	1
23	Pipe, engine outlet			B111K0012F	1
24	Bracket, water pipe mounting			A111K0010J	1
25	'P' Clip			A111W6573F	1
26	Setscrew, M8 x 25			A075W1039Z	1
27	Washer, M8			A075W4020Z	3
28	Setscrew, M8 x 20			A075W1038Z	2
29	Hose, pipe to radiator, RH			A111K0008F	1
30	Header Tank			A111K6004F	1
31	Pressure Cap			A111K6001F	1
32	Bracket, header tank mounting			C111K0003F	1
33	Setscrew, M6 x 25 S/S			A918W115F	2
34	Washer, flat, M6			A075W4015Z	4
35	Nyloc Nut, M6			A907E6285F	2
36	Hose Clip, 20-32mm			B907E6085F	2
37	Hose Clip, 8-16mm			A082L6042F	3
38	Grommet, hose through chassis rear			A082K6022F	2

ELISE



ELISE
46.01

Function Code 46.01 Engine Cooling System & Fan, Heater Cars

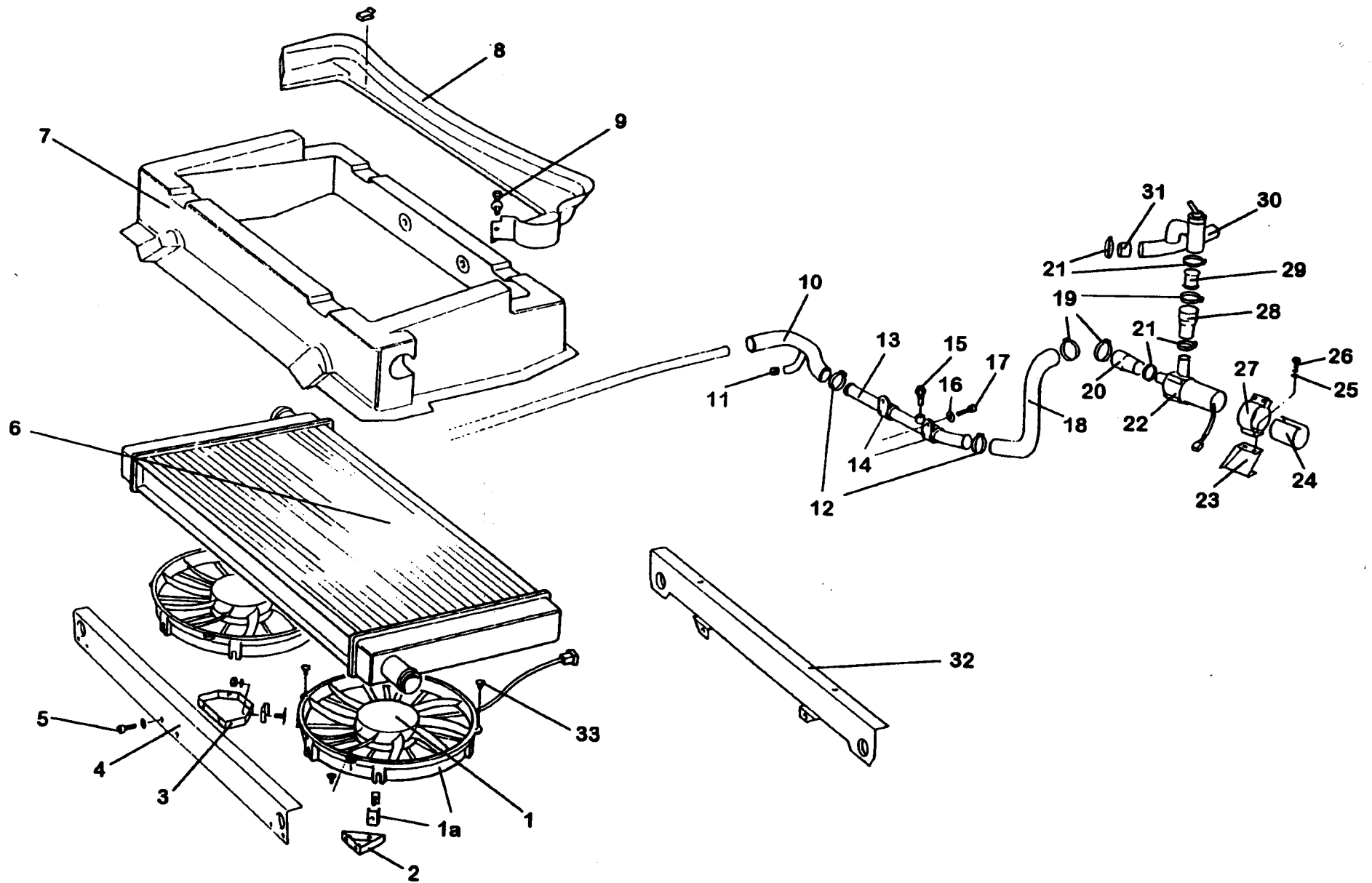
<u>Dep</u>	<u>Part Description</u>	<u>Remarks</u>	<u>Option</u>	<u>Part Number</u>	<u>Qty</u>
39	Grommet, pipe through chassis front			A111K6006F	2
40	Hose, engine outlet/heater feed			A111K0029F	1
41	Pipe, engine outlet			A111K0030F	1
42	Hose, engine outlet			A111K023F	1
43	Sealing Fence, rad. duct to bonnet			A111B0020K	1
44	Plastic Fastener, fence fix.			A111W6535F	5
45	Screw, M5 x 16, pozi., rad. to housing			A082W5107F	6
46	Washer, spring, M5			A082W4097F	6
47	Washer, flat, 0.75"			A075W4009Z	6
48	Setscrew, M6 x 16, hex. hd., rad. to housing			A075W1028Z	4
49	Washer, flat, M6 x 25 x 1.4			A075W4017Z	4
50	Coolant Pipe, engine return	Mounted on engine		A111E6229S	1
51	Cage Nut, rad. to housing			A100W6362F	4
52	Clip			A082W6587F	2
53	Antifreeze	Not illustrated		A082K6063V	4 Ltr

ELISE

Function Code 46.02 Engine Cooling System & Fan, AC Cars

<u>Dep</u>	<u>Part Description</u>	<u>Remarks</u>	<u>Option</u>	<u>Part Number</u>	<u>Qty</u>
33	Grommet, fan to condenser spacing		AC, Also see section 18.03	A111P6021F	8

ELISE



ELSE
46.02

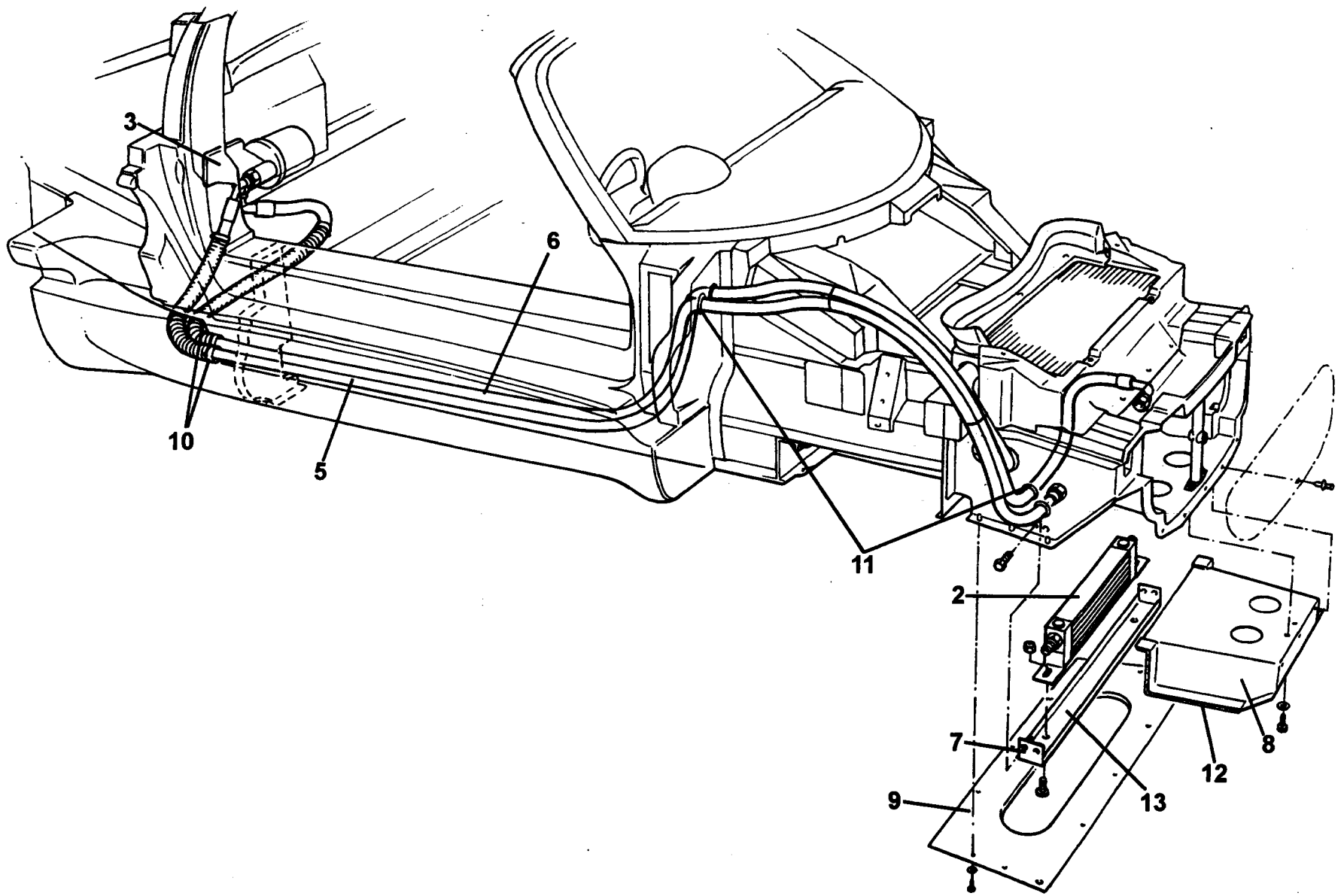
Service Parts List *ELISE*



Function Code 46.03 Oil coolers, pipes , grilles, housings etc

<u>Dep</u>	<u>Part Description</u>	<u>Remarks</u>	<u>Option</u>	<u>Part Number</u>	<u>Qty</u>
01	Oil Cooler Kit	Comprises items: 02-13, + fixings	MOTOR SPORT	A111K0037S	1
02	Oil Cooler		MOTOR SPORT	A111K0036F	1
03	Oil Filter Housing	On filter housing, not illustrated	MOTOR SPORT	A111E6146F	1
04	90° Connector, oil pressure switch		MOTOR SPORT	A111E6147F	1
05	Hose, oil cooler feed		MOTOR SPORT	A111K0035F	1
06	Hose, oil cooler return		MOTOR SPORT	A111K0034F	1
07	Mounting Bracket, oil cooler		MOTOR SPORT	A111K0032F	1
08	Duct, oil cooler		MOTOR SPORT	A111K0039F	1
09	Undertray, front		MOTOR SPORT	A111B0400F	1
10	Conolute Hose Protector		MOTOR SPORT	A082V7779V	0.3M
11	Grommet, cooler hose		MOTOR SPORT	A079U6033F	4
12	Self adhesive foam - 19 x 3 mm	Underside of cooler duct flange	MOTOR SPORT	A082U6067F	1.0M
13	Self adhesive foam - 25 x 12.5 mm	Beneath oil cooler mtg. brkt.	MOTOR SPORT	A082U6065V	0.5M

ELISE



ELISE
46.03

Service Parts List *ELISE*



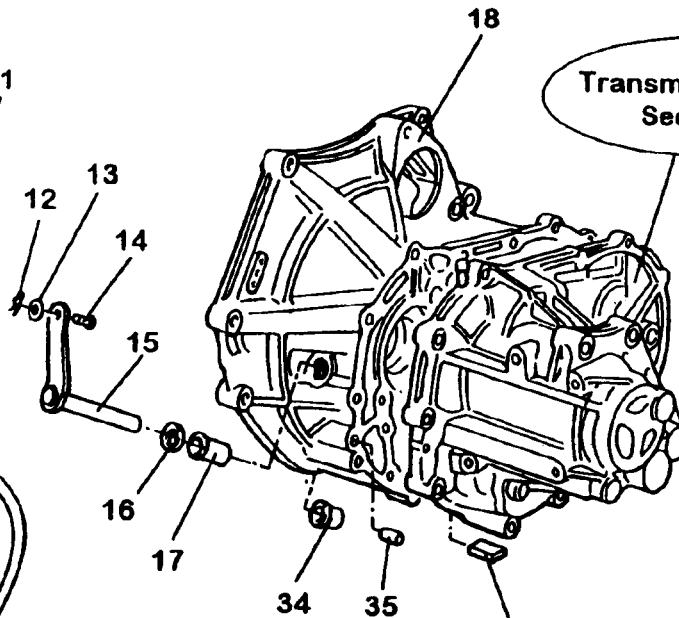
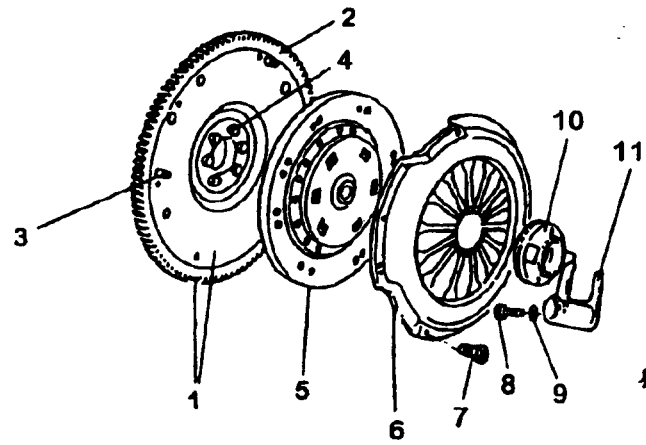
Function Code 47.01 Clutch Housing, Clutch & Release Mechanism.

<u>Dep</u>	<u>Part Description</u>	<u>Remarks</u>	<u>Option</u>	<u>Part Number</u>	<u>Qty</u>
01	Flywheel assembly			A111E6131S	1
02	Starter ring gear			A111E6130S	1
03	Dowel, clutch to flywheel			A111Q6009S	3
04	Bolt, flywheel to crank			A111E6129S	1
05	Clutch driven plate			A111Q6005S	1
06	Clutch cover			A111Q6004S	1
07	Bolt, clutch to flywheel			A111Q6010S	1
08	Bolt, lock fork to shaft			A111Q6013S	1
09	Washer			A111Q6014S	1
10	Clutch release bearing			A111Q6007S	1
11	Clutch fork			A111Q6011S	1
12	'R' clip			A082W6348F	1
13	Spring washer, fork to shaft			A111Q6014S	1
14	Clevis pin			TBA	1
15	Shaft, clutch release bearing			A111Q6012S	1
16	Seal, clutch shaft			A111F6031S	1
16a	Bush kit, Clutch shaft	Not illustrated		A111F6032S	1
17	Sleeve, clutch release shaft			TBA	

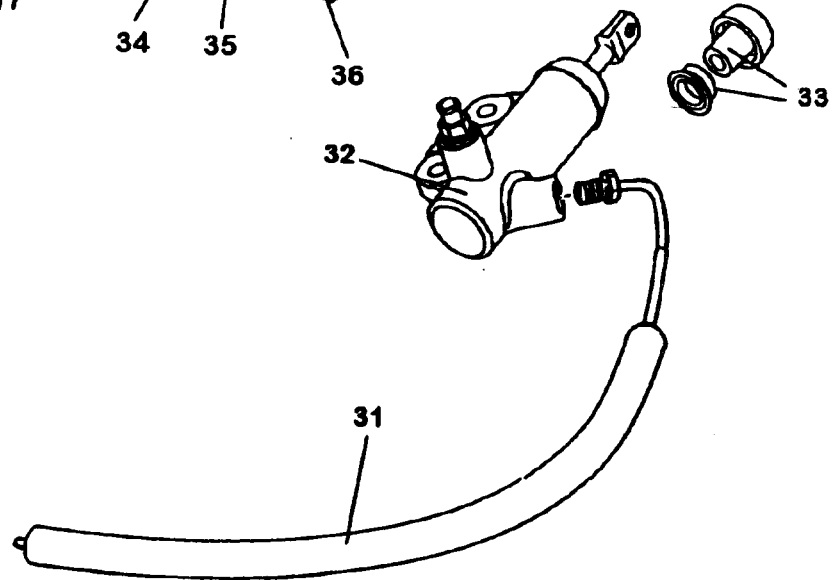
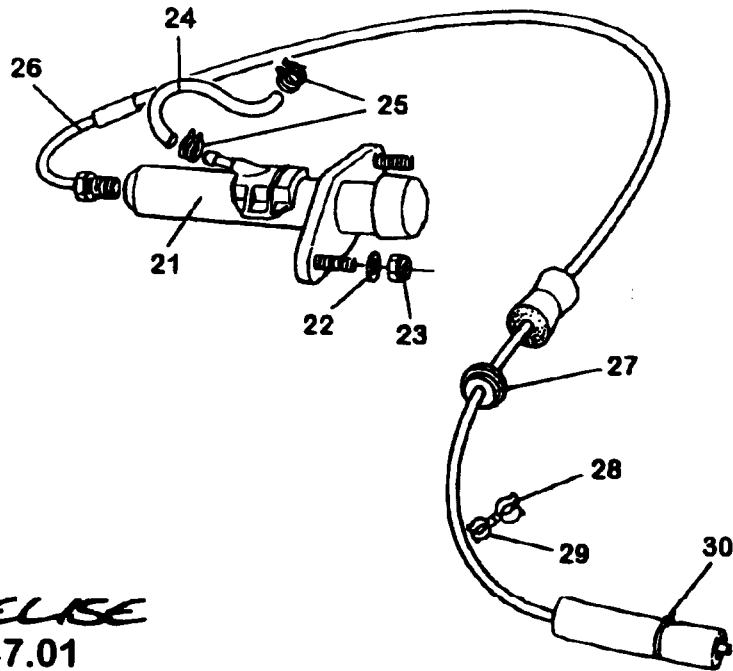
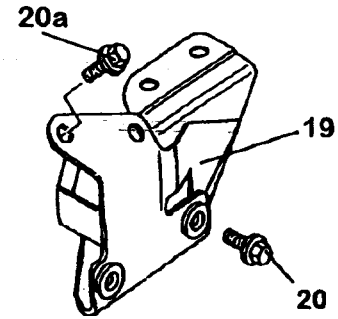
ELISE

Issued: 05-Aug-98

Function Code: 47.01, Page: 1



Transmission case
See 47.03



ELSE
47.01

Function Code 47.01 Clutch Housing, Clutch & Release Mechanism.

<u>Dep</u>	<u>Part Description</u>	<u>Remarks</u>	<u>Option</u>	<u>Part Number</u>	<u>Qty</u>
18	Clutch housing			A111F6036S	1
19	Bracket assembly, clutch slave cylinder			A111E6139S	1
20	Screw, M10 x 22, slave cylinder to mtg bkt			A111E6140S	2
20a	Screw, M10 x 20, flanged head	Slave cylinder bracket to engine mtg brkt		A111E6138S	2
21	Clutch master cylinder			A111Q6001F	1
22	Washer - M8 x 16.6 Master Cylinder / Pedal Box			A075W4020F	2
23	Nyloc Nut - M8 Master Cylinder / Pedal Box			A111W3126F	2
24	Hose - Reservoir to Clutch Master Cylinder			C111J0085F	1
25	Clip - Black - Spring - Hose to Reservoir/Cylinder			A079W6189F	2
26	Pipe Assembly - Clutch - LHD		B111J0055F..R/B	A111Q0003F	1
26a	Pipe Assembly - Clutch - RHD		B111J0056F..R/B	A111Q0005S	1
27	Grommet - Clutch Pipe to Bulkhead			A075U6043F	1
28	Clip, female			A082W6587F	1
29	Clip, male			TBA	1
30	Cable Tie (Black) Tube to Clutch Pipe			A075W6038Z	7
31	Tube - Anti Rattle - Clutch pipe Through Body Side			A111J0084K	1
32	Clutch Slave Cylinder			A111Q6006S	1
33	Repair Kit - Slave Cylinder			A111Q6008S	1

ELISE

Issued: 05-Aug-98

Function Code: 47.01, Page: 2

Service Parts List *ELISE*



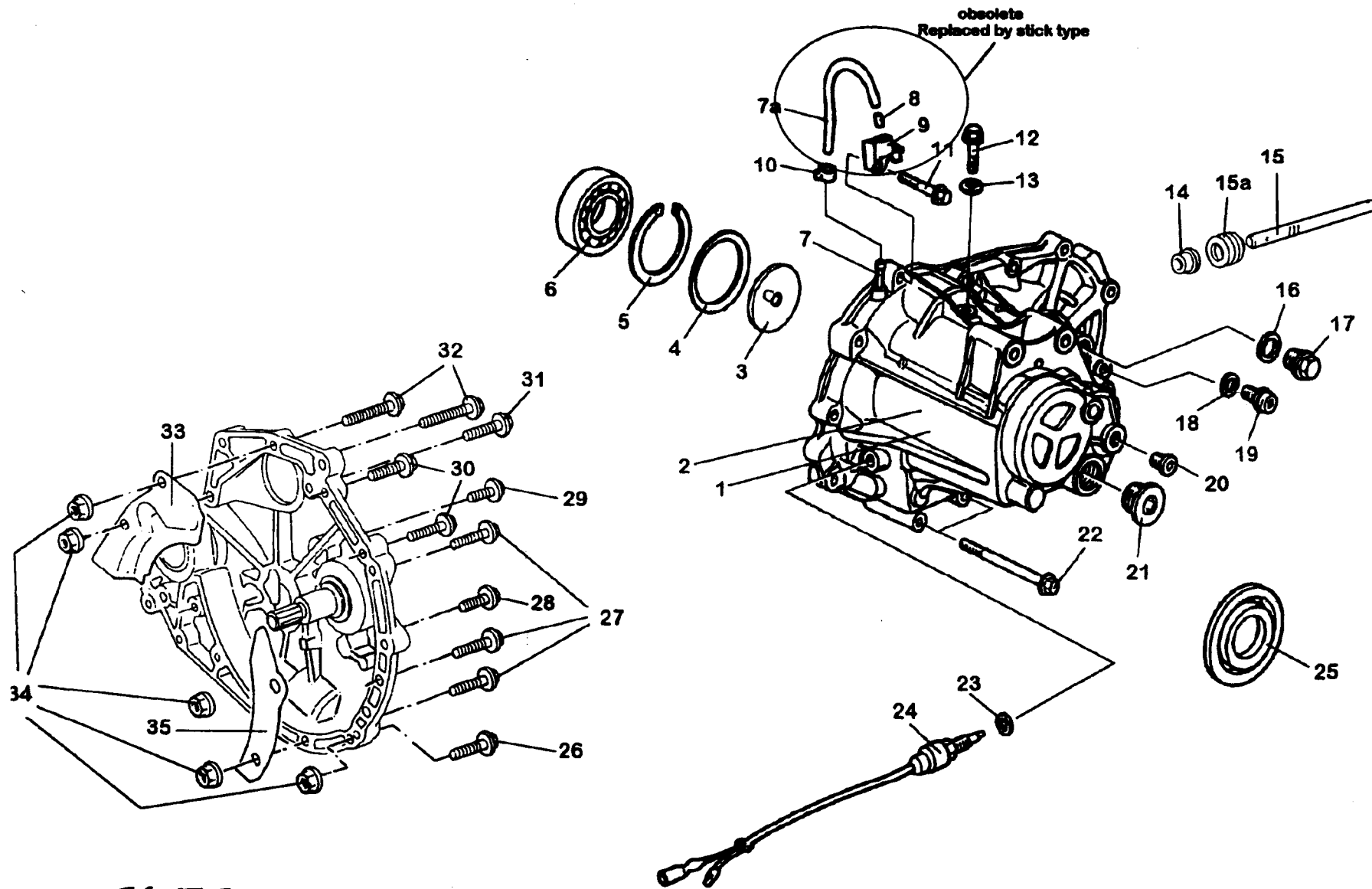
Function Code 47.03 Transmission Assembly & Mountings.

<u>Dep</u>	<u>Part Description</u>	<u>Remarks</u>	<u>Option</u>	<u>Part Number</u>	<u>Qty</u>
01	Transmission Assy ('A' Type Seals)			A111F6027W	1
01a	Transmission Assy ('B' Type Seals)			A111F6028S	1
01b	Transmission Assy, close ratio		MOTOR SPORT	A111F0034S	1
02	Transmission main casing			A111F6037S	1
03	Oil guide plate	Also see section 47.07		A111F6140S	1
04	Washer (shim), input shaft end thrust, 75 mm	Also see section 47.07		A111F6139S	1
05	Selective snap rings, input shaft. 0.50 mm	Also see section 47.07		A111F6125S	1
05a	Selective snap rings, input shaft. 0.55 mm	Also see section 47.07		A111F6126S	1
05b	Selective snap rings, input shaft. 0.60 mm	Also see section 47.07		A111F6127S	1
05c	Selective snap rings, input shaft. 0.65 mm	Also see section 47.07		A111F6128S	1
05d	Selective snap rings, input shaft. 0.70 mm	Also see section 47.07		A111F6129S	1
05e	Selective snap rings, input shaft. 0.75 mm	Also see section 47.07		A111F6130S	1
05f	Selective snap rings, input shaft. 0.80 mm	Also see section 47.07		A111F6131S	1
05g	Selective snap rings, input shaft. 0.85 mm	Also see section 47.07		A111F6132S	1
05h	Selective snap rings, input shaft. 0.90 mm	Also see section 47.07		A111F6133S	1
05i	Selective snap rings, input shaft. 0.95 mm	Also see section 47.07		A111F6134S	1
05j	Selective snap rings, input shaft. 1.00 mm	Also see section 47.07		A111F6135S	1
05k	Selective snap rings, input shaft. 1.05 mm	Also see section 47.07		A111F6136S	1

ELISE

Issued: 05-Aug-98

Function Code: 47.03, Page: 1



ELSE
47.03

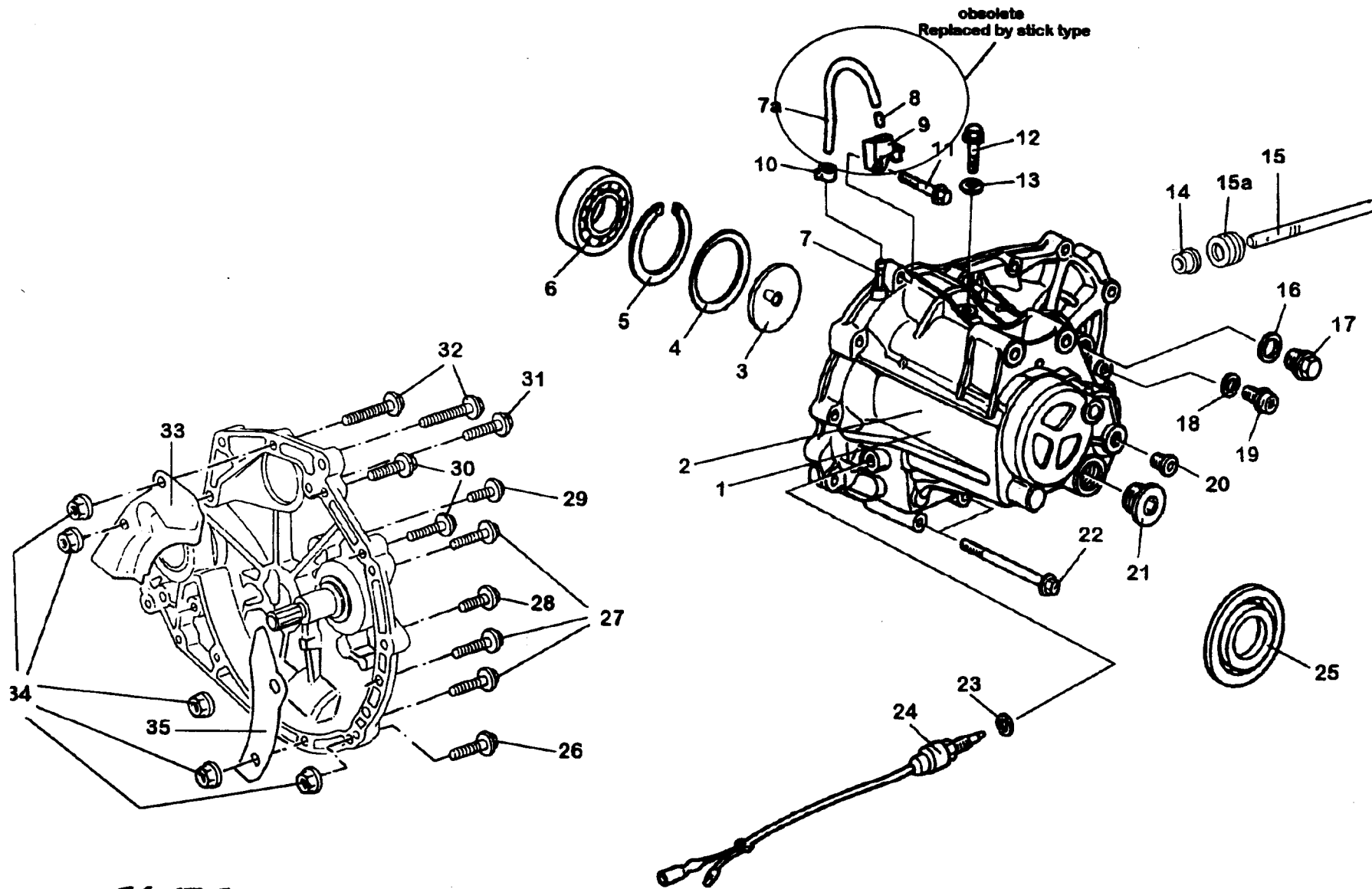
Function Code 47.03 Transmission Assembly & Mountings.

<u>Dep</u>	<u>Part Description</u>	<u>Remarks</u>	<u>Option</u>	<u>Part Number</u>	<u>Qty</u>
05L	Selective snap rings, input shaft. 1.10 mm	Also see section 47.07		A111F6137S	1
05m	Selective snap rings, input shaft. 1.15 mm	Also see section 47.07		A111F6138S	1
06	Ball bearing, input shaft	Also see section 47.07		A111F6124F	1
07a	Breather pipe	Stick Type...New type	A111F6157S...R/B	A111E6169S	1
08	Plug, fits to breather pipe			A111F6158S	1
09	Clamp, breather pipe securing			A111F6160S	1
10	Clip, breather pipe to spigot securing			A111F6159S	1
11	Bolt, transmission case to clutch housing, M10 x 42 mm			A111F6161S	12
12	Bolt, reverse idler shaft fixing			A111F6162S	1
13	Washer, reverse idler shaft fixing			A111F6163S	1
14	Oil Seal - Gearshift Rod			A111F6023S	1
15	Rod, Gearshift			A111F6033S	1
15a	Boot (Gaiter), gear shift rod			A111F6180S	1
16	Washer, filler / level plug, 20 mm			A111F6166S	1
17	Plug, filler / level			A111F6165S	1
18	Washer - Drain Plug			A111E6035S	1
19	Drain Plug			A111F6026S	1
20	Sealing plug, rear of transmission case			A111F6168S	1
21	Plug, access to output shaft bearing circlip, 32 mm			A111F6167S	1
22	Bolt, M10 x 92 mm, transmission case to clutch housing			A111F6164S	2
23	Sealing Washer - reverse Switch			A111E6035S	1

ELISE

Issued: 05-Aug-98

Function Code: 47.03, Page: 2



ELRE
47.03

Function Code 47.03 Transmission Assembly & Mountings.

<u>Dep</u>	<u>Part Description</u>	<u>Remarks</u>	<u>Option</u>	<u>Part Number</u>	<u>Qty</u>
24	Switch - Reverse Lamp			A111F6021S	1
25	Oil seal, differential / D/shaft	See section 47.15	'A' & 'B' Type	See sect 47.15	As req
26	Bolt, M12 x 80 mm, Transmission case to Bell housing			A111F6170S	1
27	Bolt, M12 x 50 mm, Transmission case to Bell housing			A111F6171S	3
28	Screw, M10 x 35 mm, Transmission case to Bell housing			A111F6172S	1
29	Bolt, M12 x 30 mm, Transmission case to Bell housing			A111F6181S	2
30	Screw, M10 x 30 mm, Transmission case to Bell housing			A111F6174S	1
31	Bolt, M12 x 65 mm, Transmission case to Bell housing			A111F6175S	1
32	Bolt, M12 x 90 mm, Transmission case to Bell housing			A111F6176S	2
33	Closure plate, rear			A111F6177S	1
34	Nut, M12, front / rear closure plates fixing			A111F6178S	5
35	Closure plate, front			A111F6179S	1
36	Magnet, swarf attraction, transmission case			A111F6100S	1
	Oil - Gearbox, Texaco MTF 94			A111F6017V	2.1lit

ELSE

Issued: 05-Aug-98

Function Code: 47.03, Page: 3

Service Parts List *ELISE*



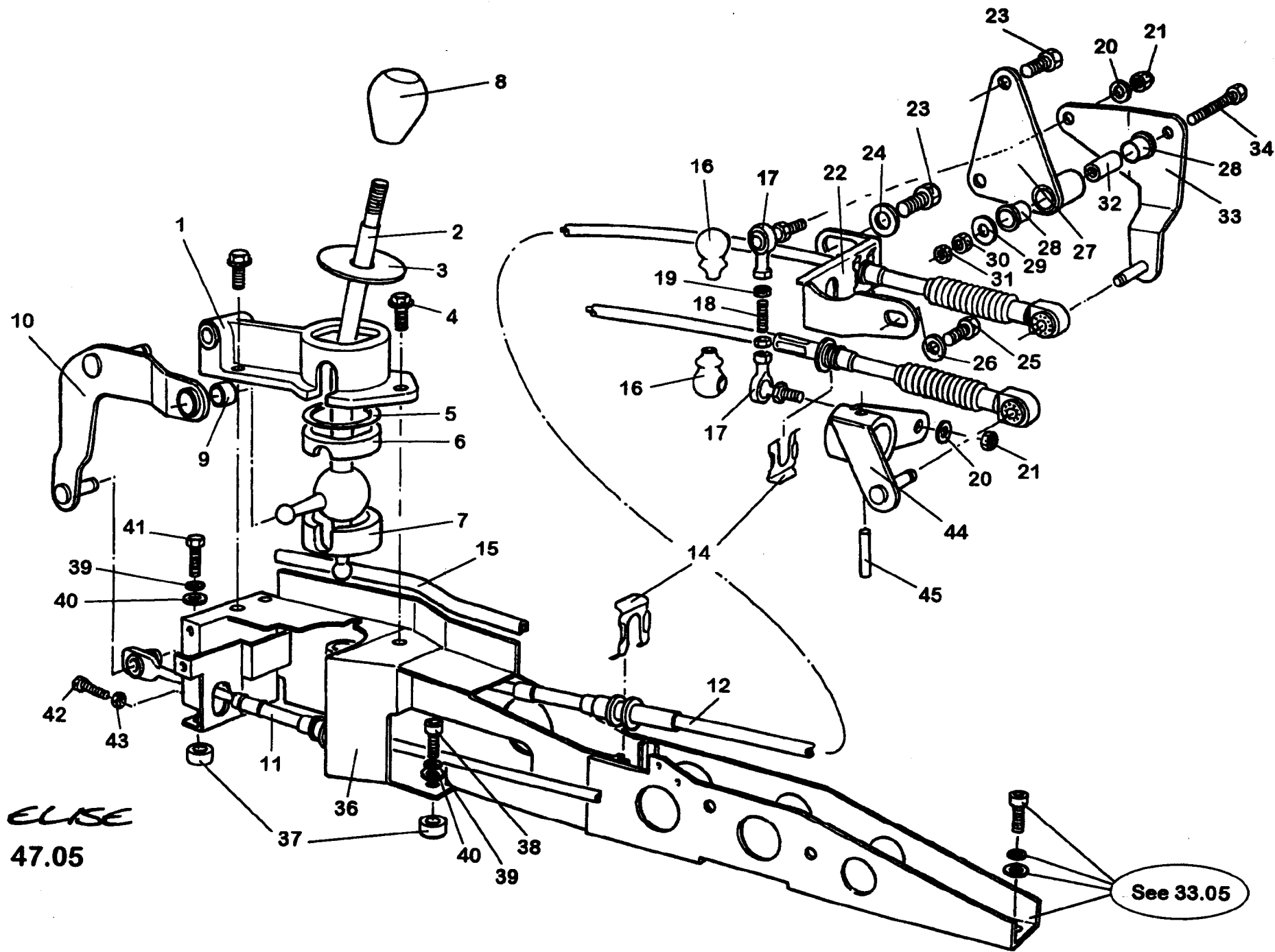
Function Code 47.05 Gearchange Mechanism - External.

<u>Dep</u>	<u>Part Description</u>	<u>Remarks</u>	<u>Option</u>	<u>Part Number</u>	<u>Qty</u>
01	Housing - Gear Lever Pivot			A111F6008H	1
02	Gear Lever - (Modified)	Includes Heat Shrink Cover		A111F0013H	1
03	Dust Shield - Gear Lever			A111F0005K	1
04	Screw - Self tapping - Housing to Bracket			A111F6014H	3
05	Gasket - Spacer - Neoprene			A111F6010H	1
06	Socket - Upper - Gearchange - Large			A111F6009H	1
07	Socket - Lower - Gearchange - Small			A111F6011H	1
08	Knob - Gear Lever - Polished			C111F0002F	1
08a	Label - Gear Change (Fits to Gear Knob)			A111U0004F	1
09	Bush - Crossover			A111F6005H	1
10	Bellcrank and Pivot Pin assembly			A111F6006H	1
10a	Circlip - Type 'E'			A111E6012H	1
11	Crossgate Cable - Gearchange			A111F0004F	1
12	Selector Cable - Gearchange			A111F0003F	1
14	Retaining Clip - Gear Change			A111F6018H	4
15	Edging Strip - Rubber			B075U6054V	0.13m
16	Boot - Gear Linkage			A082F4149F	2
17	Rod End (Rose Joint) Gear change			A082F6368F	2

ELISE

Issued: 05-Aug-98

Function Code: 47.05, Page: 1



ELISE
47.05

See 33.05

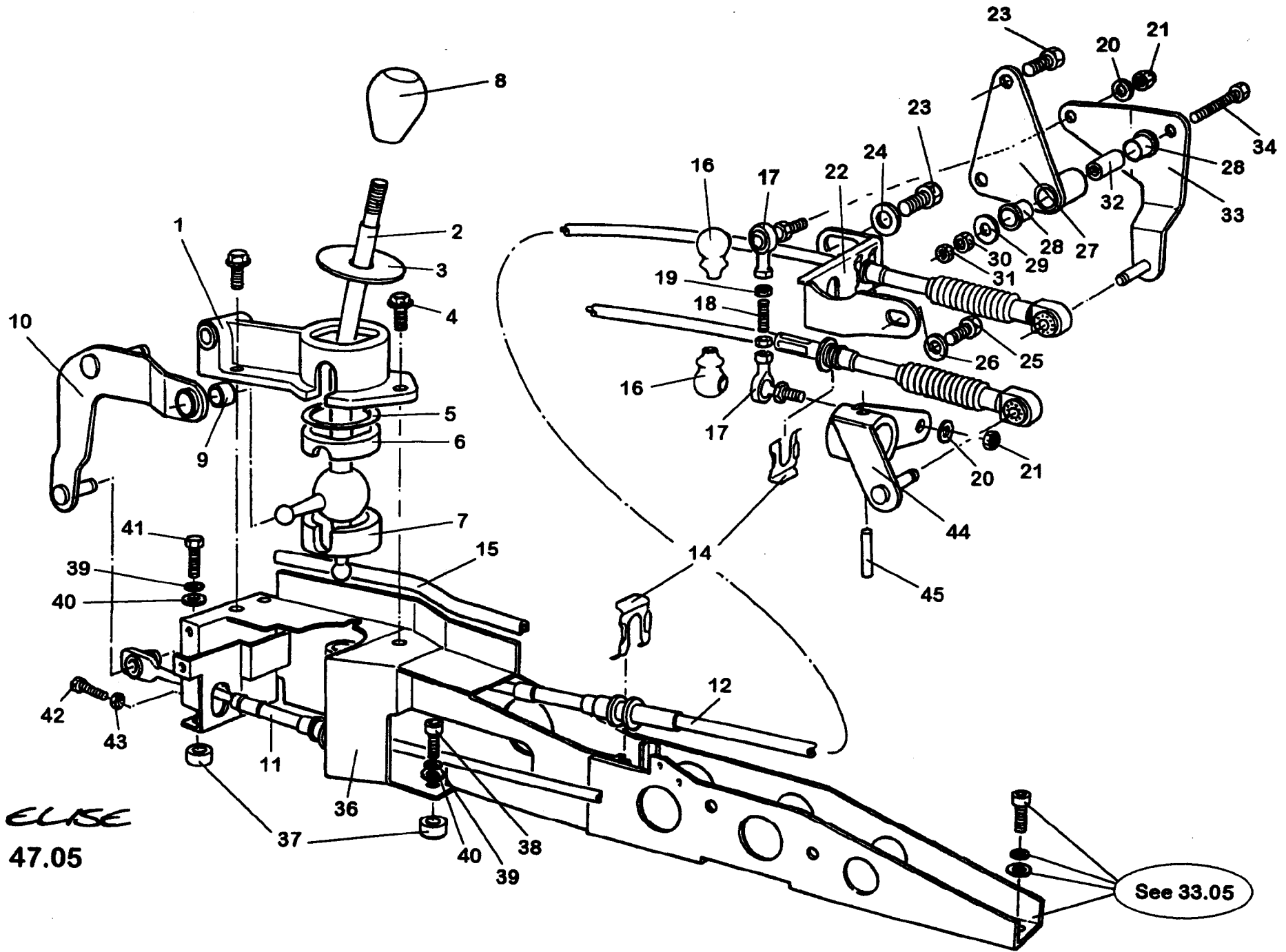
Function Code 47.05 Gearchange Mechanism - External.

<u>Dep</u>	<u>Part Description</u>	<u>Remarks</u>	<u>Option</u>	<u>Part Number</u>	<u>Qty</u>
18	Tie Rod			B111F0028F	1
19	Nuts (Tie Rod)			A082W3085F	2
20	Washers M5 x 12 x1.4mm			A075W4013Z	2
21	Nyloc nut M5			A075W3009Z	2
22	Bracket Abutment - Gear Link			A111F0015F	1
23	Screw - M12 x 1.25 x 30 Hex Zn			A082W1141F	2
24	Washer - M12 x 23.5 x 2.3			A075W4028Z	1
25	Screw - M10 x 25 Hex Zn			A075W1048Z	1
26	Washer - M10 x 20 x 1.8			A075W4024Z	1
27	Pivot Plate - Assembly			A111F0023F	1
28	Bush			A111F6015F	2
29	Washer - M8			A079W4019F	1
30	Nut - M8 Full Hex Zn			A075W3021Z	1
31	Nut - M8 Hex Thin Zn			A075W3026Z	1
32	Shaft - Pivot, Gear Linkage			A111F0026F	1
33	Crossgate Selector			A111F0016F	1
34	Screw - M8 x 45 Hex Head			A075W1043Z	1
35a	Washer - M12 Bracket to Gearbox			A075W4028Z	1
35b	Screw - M10 x 25 Bracket to Gearbox			A075W1048Z	1
35c	Washer - M10 Bracket to Gearbox			A075W1024Z	1
36	Mounting Bracket - Gear Selector Mechanism			C111F0006F	1

ELBE

Issued: 05-Aug-98

Function Code: 47.05, Page: 2



ELISE
 47.05

See 33.05

Function Code 47.05 Gearchange Mechanism - External.

<u>Dep</u>	<u>Part Description</u>	<u>Remarks</u>	<u>Option</u>	<u>Part Number</u>	<u>Qty</u>
37	Spacer - Mounting Bracket - Gear Selector			A111F0012F	3
38	Screw - M8 x 30 Skirt Head Cap - Bracket to Floor			A089W7052F	1
39	Washer - M8 Spring S/C Light			A075W4036Z	3
40	Washer - M8 x 16.6 x 1.4 Plain Zn			A075W1085F	1
42	Screw - M5 x 16 Long Hex Zn			A075W1085F	1
43	Nut - M5 Hex Zn - Crossgate Stop			A082W3084F	1
44	Link - Gear Selector			B111F0019F	1
45	Translator Pin - Gearbox			A111F6019F	1
	Permabond - A130 - Knob to Lever			A912E7033V	A/R
	Spacer - Gear selector Mounting bracket -(Step plate)			A111F0032F	2
	Wavy Washer- M10 x 15 o/d x 0.16 Thk	Shim Bellcrank / Housing		A111W4167F	1

ELISE

Issued: 05-Aug-98

Function Code: 47.05, Page: 3

Service Parts List *ELISE*



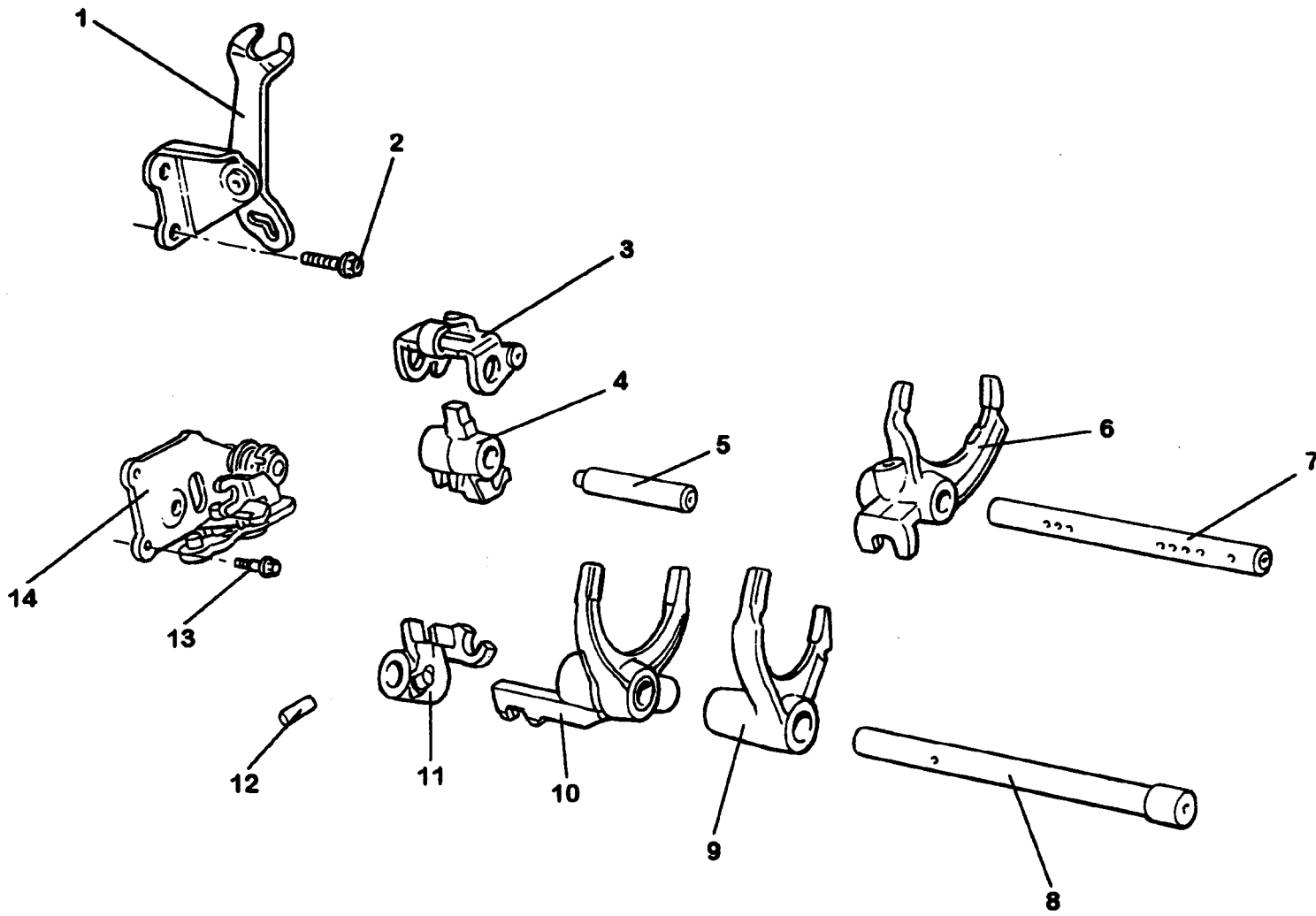
Function Code 47.06 Gear Selector Mechanism - Internal.

<u>Dep</u>	<u>Part Description</u>	<u>Remarks</u>	<u>Option</u>	<u>Part Number</u>	<u>Qty</u>
01	Reverse selector fork			A111F6143S	1
02	Bolt, M6 x 22.5 mm, retainer fixing			A111F6144S	2
03	Slide, gearshift holder			A111F6145S	1
04	Gearshift arm guide			A111F6146S	1
05	Selector (Shift) Shaft			A111F6147S	1
06	Selector Fork, 1st / 2nd gears			A111F6148S	1
07	Selector Shaft, 1st / 2nd gears			A111F6149S	1
08	Selector Shaft, 5th / Reverse gears			A111F6150S	1
09	Selector Fork, 5th gear			A111F6151S	1
10	Selector Fork, 3rd / 4th gears			A111F6152S	1
11	Gear Selector, 5th / Reverse gears			A111F6153S	1
12	Roll pin, 5th / Reverse selector			A111F6154S	1
13	Bolt, M6 x 22.5 mm, Interlock fixing			A111F6155S	2
14	Interlock assembly			A111F6156S	1

ELISE

Issued: 05-Aug-98

Function Code: 47.06, Page: 1



ELSE
47.06

Service Parts List *ELISE*



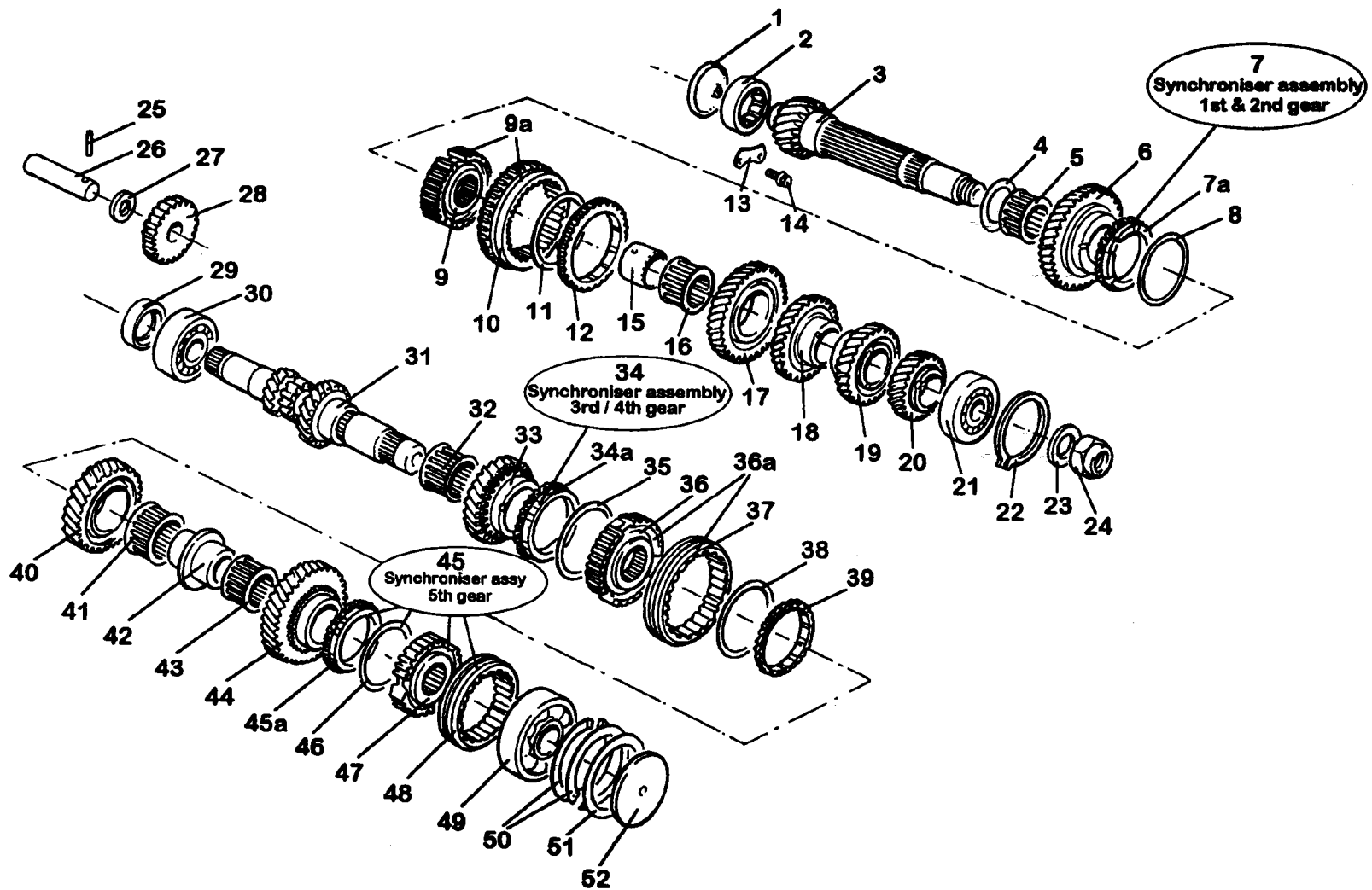
Function Code 47.07 Gears, Shafts & Bearings.

<u>Dep</u>	<u>Part Description</u>	<u>Remarks</u>	<u>Option</u>	<u>Part Number</u>	<u>Qty</u>
01	Oil guide plate, Input shaft			A111F6065S	1
02	Caged Roller bearing, output shaft	Parallel type		A111F6066S	1
03	Output shaft			A111F6067S	1
04	Selective Thrust washer, 1.96 mm	1st gear end float adjustment		A111F6068S	A/R
04a	Selective Thrust washer, 1.99 mm	1st gear end float adjustment		A111F6068S	A/R
04b	Selective Thrust washer, 2.02 mm	1st gear end float adjustment		A111F6070S	A/R
04c	Selective Thrust washer, 2.05mm	1st gear end float adjustment		A111F6071S	A/R
04d	Selective Thrust washer, 2.08mm	1st gear end float adjustment		A111F6072S	A/R
05	Needle Roller bearing, 1st gear			A111F6073S	1
06	1st Gear (38 Teeth)			A111F6074S	1
07	Synchroniser assembly, 1st / 2nd gear	Consists of 7b, 8, 9, 10, 11 & 12.		A111F6075F	1
07a	Synchro ring, 1st gear	Part of 7		A111F6076F	1
08	Synchro spring, 1st gear	Part of 7		A111F6077S	1
09	Synchro hub, 1st / 2nd gear	Part of 7		A111F6078S	1
09a	Synchro hub / sleeve assembly	Part of 7		A111F6109S	1
10	Synchro sleeve, 1st / 2nd gear	Part of 7		A111F6079S	1
11	Synchro spring, 2nd gear	Part of 7		A111F6080S	1
12	Synchro ring, 2nd gear	Part of 7		A111F6081S	1

ELISE

Issued: 05-Aug-98

Function Code: 47.07, Page: 1



ELSE
 47.07

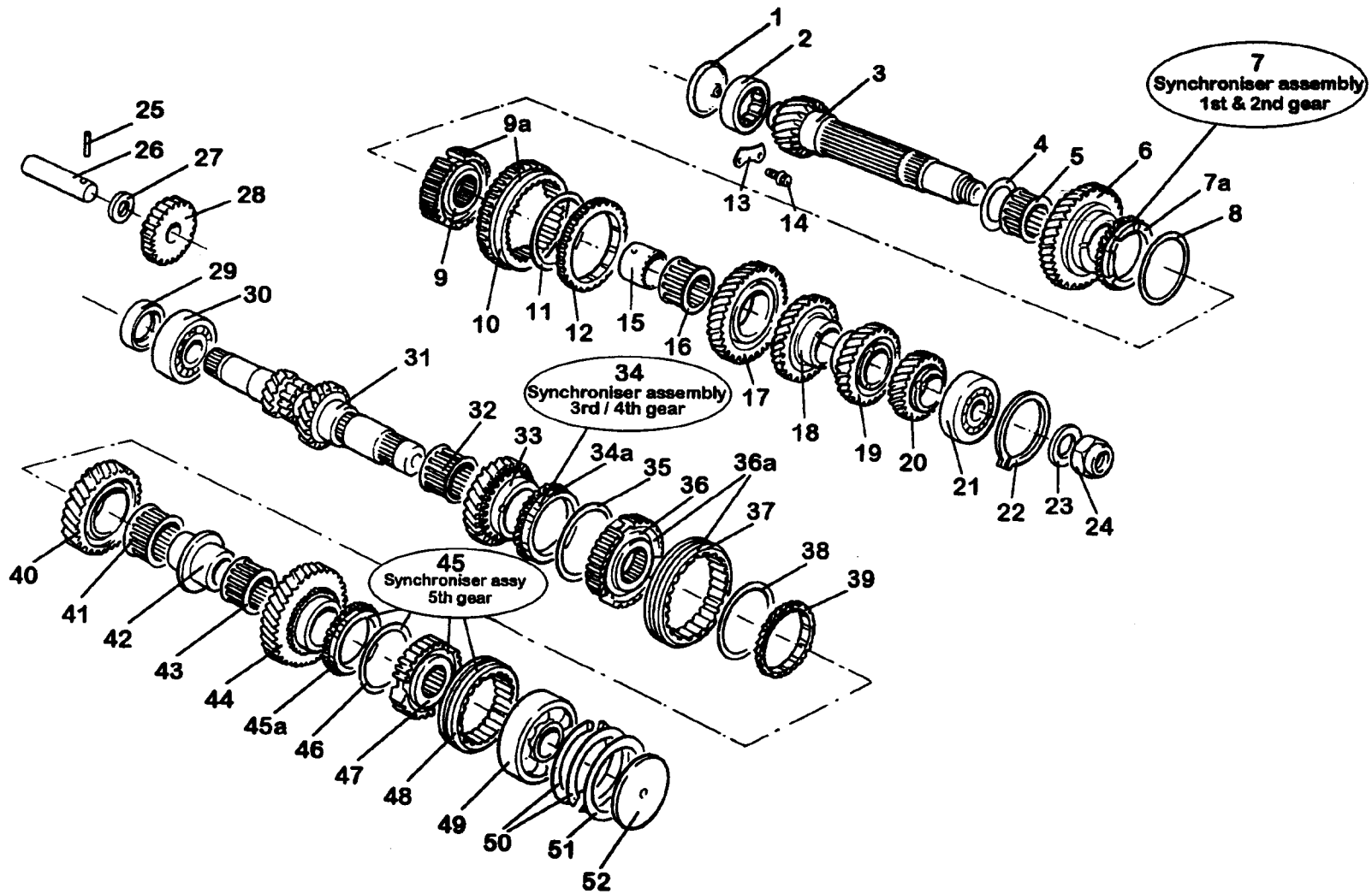
Function Code 47.07 Gears, Shafts & Bearings.

<u>Dep</u>	<u>Part Description</u>	<u>Remarks</u>	<u>Option</u>	<u>Part Number</u>	<u>Qty</u>
13	Retainer plate, output shaft bearing		fitted to g/box's with Letter U in serial No.	A111F6141S	1
14	Bolts, retainer plate fixing		fitted to g/box's with Letter U in serial No.	A111F6142S	2
15	Selective collar, 2nd gear end float adjustment		Size TBA	A111F6082F	A/R
15a	Selective collar, 2nd gear end float adjustment		Size TBA	A111F6083S	A/R
15b	Selective collar, 2nd gear end float adjustment		Size TBA	A111F6084S	A/R
15c	Selective collar, 2nd gear end float adjustment		Size TBA	A111F6085S	A/R
16	Needle roller bearing, 2nd gear			A111F6086S	1
17	2nd Gear 35 teeth			A111F6087S	1
18	3rd Gear 34 teeth			A111F6088S	1
19	4th Gear 31 teeth			A111F6089S	1
20	5th Gear 26 teeth			A111F6090S	1
21	Ball bearing, output shaft		Option TBA	A111F6091S	1
21a	Ball bearing, output shaft		Option TBA	A111F6092S	1
22	Circlip, 60 mm			A111F6095S	1
23	Tongued (Spring) washer, 23 mm			A111F6093S	1
24	Lock nut, 23 mm, LH thread, output shaft			A111F6094S	1
25	Roll Pin, reverse idler shaft locking.			A111F6097S	1
26	Reverse idler shaft			A111F6096S	1
27	Thrust washer, reverse idler gear			A111F6098S	1

ELISE

Issued: 05-Aug-98

Function Code: 47.07, Page: 2



ELSE
 47.07

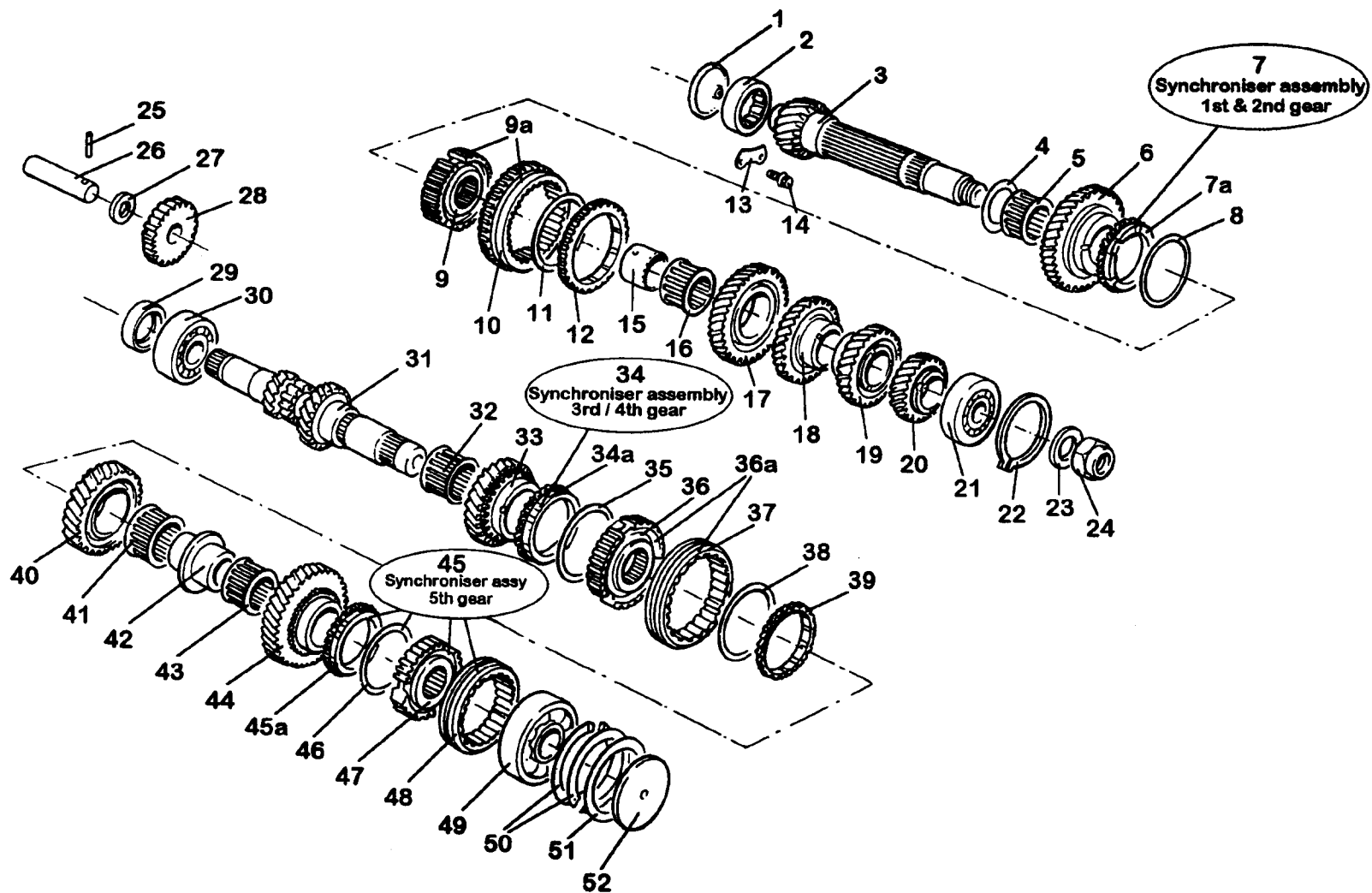
Function Code 47.07 Gears, Shafts & Bearings.

<u>Dep</u>	<u>Part Description</u>	<u>Remarks</u>	<u>Option</u>	<u>Part Number</u>	<u>Qty</u>
28	Reverse idler gear			A111F6099S	1
29	Oil seal, input shaft			A111F6024S	1
30	Ball bearing, input shaft			A111F6101S	1
31	Input shaft			A111F6102S	1
32	Needle roller bearing, 3rd Gear			A111F6104S	1
33	3rd Gear, 26 teeth			A111F6103S	1
34	Synchroniser assembly, 3rd / 4th gear	Consists of : 34a, 35, 36, 37,38 & 39.		A111F6105S	1
34a	Synchro ring, 3rd Gear	Part of 34		A111F6106S	1
35	Synchro spring, 3rd Gear	Part of 34		A111F6107S	1
36	Synchro hub, 3rd / 4th Gear	Part of 34		A111F6110S	1
36a	Synchro hub / sleeve assembly, 3rd / 4th gear	Part of 34		A111F6108S	1
37	Synchro sleeve, 3rd / 4th Gears	Part of 34		A111F6111S	1
38	Synchro spring, 4th Gear	Part of 34		A111F6112S	1
39	Synchro ring, 4th Gear	Part of 34		A111F6113S	1
40	4th Gear, 30 teeth			A111F6114S	1
41	Needle Roller bearing, 4th Gear			A111F6104S	1
42	Distance collar, 4th / 5th gear		Size choice TBA	A111F6115S	A/R
42a	Distance collar, 4th / 5th gear		Size choice TBA	A111F6115S	A/R
43	Needle Roller bearing, 5th Gear			A111F6104S	1
44	5th Gear, 34 teeth			A111F6117S	1

ELISE

Issued: 05-Aug-98

Function Code: 47.07, Page: 3



ELSE
 47.07

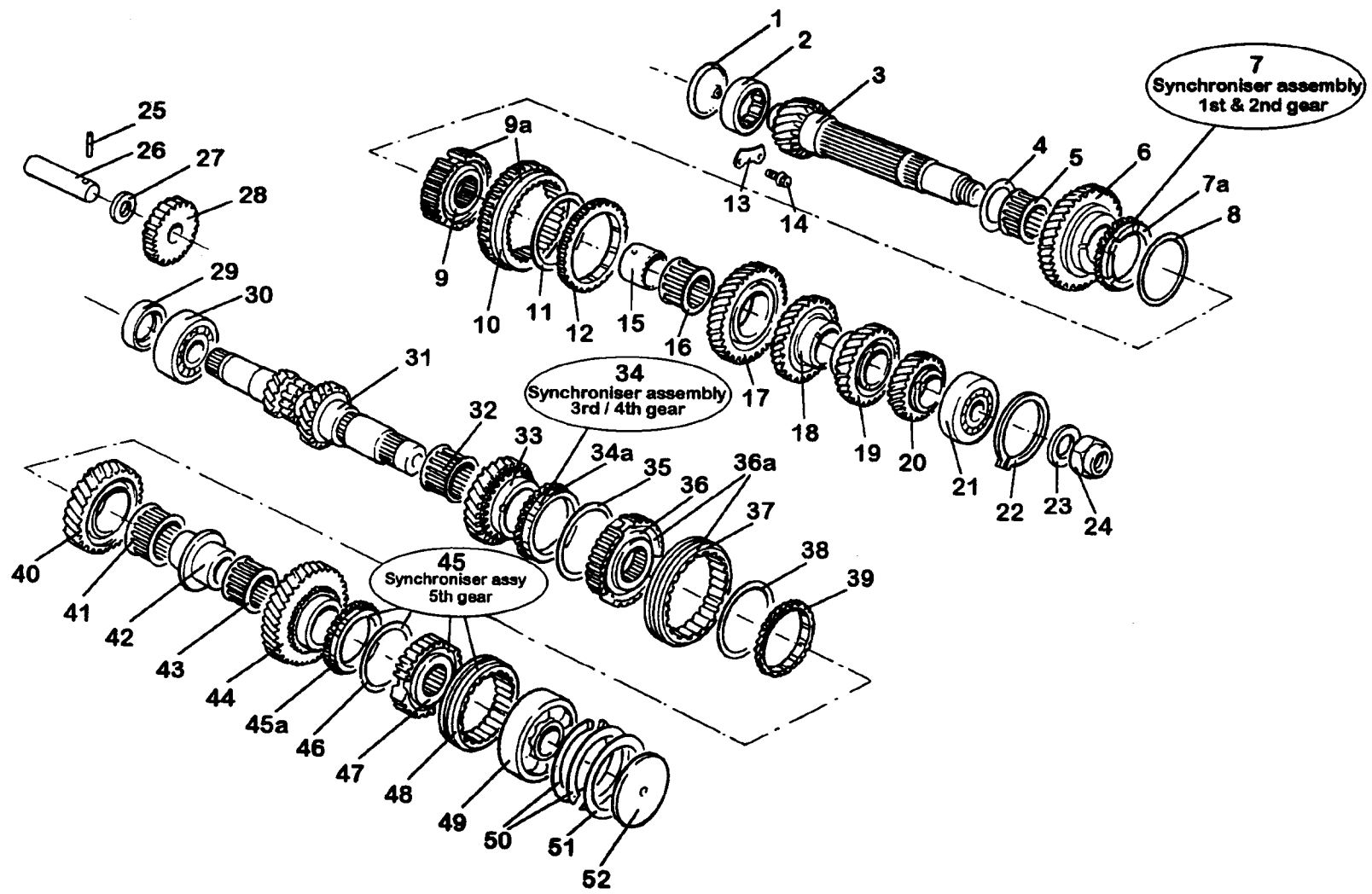
Function Code 47.07 Gears, Shafts & Bearings.

<u>Dep</u>	<u>Part Description</u>	<u>Remarks</u>	<u>Option</u>	<u>Part Number</u>	<u>Qty</u>
45	Synchroniser assembly, 5th Gear	Consists of : 45a, 46, 47, 48.		A111F6118S	1
45a	Synchro ring, 5th Gear	Part of 45		A111F6119S	1
46	Synchro spring, 5th Gear	Part of 45		A111F6120S	1
47	Synchro sleeve, 5th Gear	Part of 47a + 45		A111F6123S	1
47a	Synchro Hub / Sleeve assembly, 5th Gear	Includes : 47 & 48 + part of 45		A111F6121S	1
48	Synchro Hub, 5th Gear	Part of 47a + 45		A111F6122S	1
49	Ball bearing, input shaft			A111F6124S	1
50	Selective Snap rings, Input shaft, 0.50 mm			A111F6125S	A/R
50a	Selective Snap rings, Input shaft, 0.55 mm			A111F6126S	A/R
50b	Selective Snap rings, Input shaft, 0.60 mm			A111F6127S	A/R
50c	Selective Snap rings, Input shaft, 0.65 mm			A111F6128S	A/R
50d	Selective Snap rings, Input shaft, 0.70 mm			A111F6129S	A/R
50e	Selective Snap rings, Input shaft, 0.75 mm			A111F6130S	A/R
50f	Selective Snap rings, Input shaft, 0.80 mm			A111F6131S	A/R
50g	Selective Snap rings, Input shaft, 0.85 mm			A111F6132S	A/R
50h	Selective Snap rings, Input shaft, 0.90 mm			A111F6133S	A/R
50i	Selective Snap rings, Input shaft, 0.95 mm			A111F6134S	A/R
50j	Selective Snap rings, Input shaft, 1.00 mm			A111F6135S	A/R
50k	Selective Snap rings, Input shaft, 1.05 mm			A111F6136S	A/R
50L	Selective Snap rings, Input shaft, 1.10 mm			A111F6137S	A/R
50m	Selective Snap rings, Input shaft, 1.15 mm			A111F6138S	A/R

ELKE

Issued: 05-Aug-98

Function Code: 47.07, Page: 4



ELSE
 47.07

Function Code 47.07 Gears, Shafts & Bearings.

<u>Dep</u>	<u>Part Description</u>	<u>Remarks</u>	<u>Option</u>	<u>Part Number</u>	<u>Qty</u>
51	Washer (shim), input shaft end thrust			A111F6139S	1
52	Oil guide plate			A111F6140S	1
53	Retainer plate, output shaft bearing			A111F6141S	1
54	Bolt, retainer plate fixing			A111F6142S	1

ELSE

Issued: 05-Aug-98

Function Code: 47.07, Page: 5

Service Parts List *ELISE*



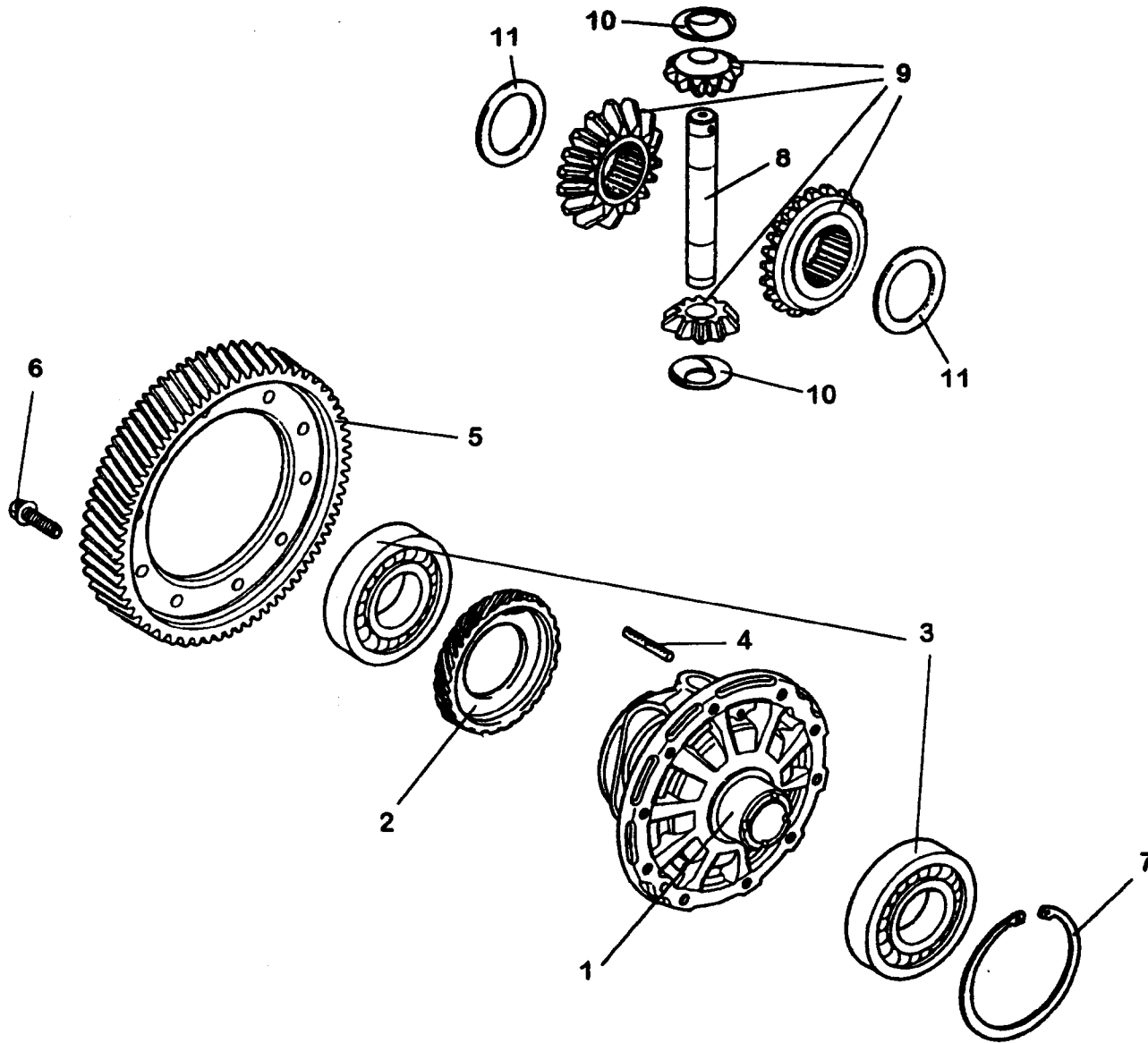
Function Code 47.11 Crownwheel & Pinion, & Brgs, Differential.

<u>Dep</u>	<u>Part Description</u>	<u>Remarks</u>	<u>Option</u>	<u>Part Number</u>	<u>Qty</u>
01	Differential Assembly	Consists of : 4; 8; 9; 10;11 & 12		A111F6041S	1
02	Speedometer drive gear, 23 teeth			A111F6042S	1
03	Ball bearing - differential			A111F6043S	2
04	Roll pin - differential pinion shaft	Part of No 1		A111F6044S	1
05	Final drive gear, 63 teeth			A111F6045S	1
06	Bolt, final drive gear to differential casing			A111F6046S	10
07	Selective shim, 2.5 mm		Available in six sizes	A111F6047S	1
07a	Selective shim, 2.6 mm			A111F6048S	1
07b	Selective shim, 2.7 mm			A111F6049S	1
07c	Selective shim, 2.8 mm			A111F6050S	1
07d	Selective shim, 2.9 mm			A111F6051S	1
07e	Selective shim, 3.0 mm			A111F6052S	1
08	Pinion shaft			A111F6053S	1
09	Sun / Planet gear, matched set	Two (2) of each gear		A111F6055S	1
10	Thrust washer - planet gear, 0.70 mm		Available in eight sizes	A111F6056S	1
10a	Thrust washer - planet gear, 0.75 mm			A111F6057S	1
10b	Thrust washer - planet gear, 0.80 mm			A111F6058S	1
10c	Thrust washer - planet gear, 0.85 mm			A111F6059S	1

ELISE

Issued: 05-Aug-98

Function Code: 47.11, Page: 1



ELISE
47.11

Function Code 47.11 Crownwheel & Pinion, & Brgs, Differential.

<u>Dep</u>	<u>Part Description</u>	<u>Remarks</u>	<u>Option</u>	<u>Part Number</u>	<u>Qty</u>
10d	Thrust washer - planet gear, 0.90 mm			A111F6060S	1
10e	Thrust washer - planet gear, 0.95 mm			A111F6061S	1
10f	Thrust washer - planet gear, 1.00 mm			A111F6062S	1
10g	Thrust washer - planet gear, 1.05 mm			A111F6063S	1
11	Thrust washer - sun gear			A111F6064S	2

ELSE

Issued: 05-Aug-98

Function Code: 47.11, Page: 2

Service Parts List *ELISE*



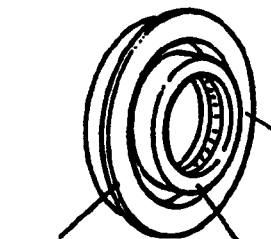
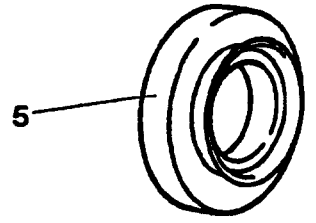
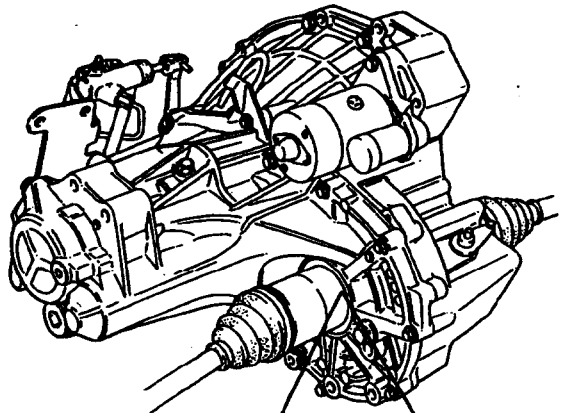
Function Code 47.15 Driveshafts, Seals, Special tool (seal protector).

<u>Dep</u>	<u>Part Description</u>	<u>Remarks</u>	<u>Option</u>	<u>Part Number</u>	<u>Qty</u>
01	Drive Shaft - 'A' Type - LH - R/B A111D6007F 'B' Type			A111D6003F	1
02	Drive Shaft - 'A' Type - RH - R/B A111D6008F 'B' Type			A111D6002F	1
03	Drive Shaft - 'B' Type - RH - Replaces Earlier 'A' Type			A111D6008F	1
04	Drive Shaft - 'B' Type - LH - Replaces Earlier 'A' Type			A111D6007F	1
05	Oil Seal - Drive Shaft - LH - 'A' Type			A111F6022S	1
05a	Oil Seal - Drive Shaft - RH - 'A' Type			A111F6025S	1
06	Oil Seal - Drive Shaft - RH - 'B' Type			A111F6030S	1
06a	Oil Seal - Drive Shaft - LH - 'B' Type			A111F6029S	1
07	Kit, Boot (Gaiter), inboard c/v joint			A111D6011S	1
08	Kit, Boot (Gaiter), outboard c/v joint			A111D6012S	1
09	Special Tool - Seal Protector - Used when installing D/Shaft			T000T1390F	1

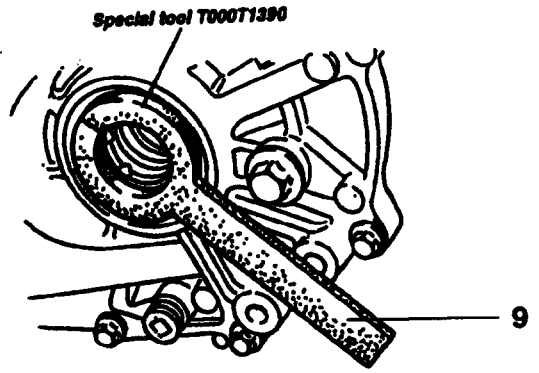
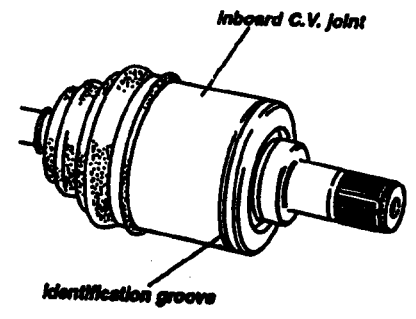
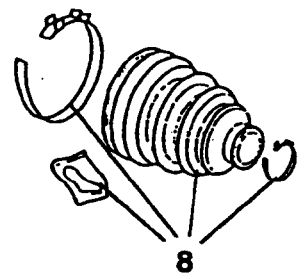
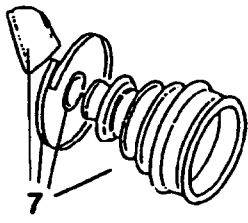
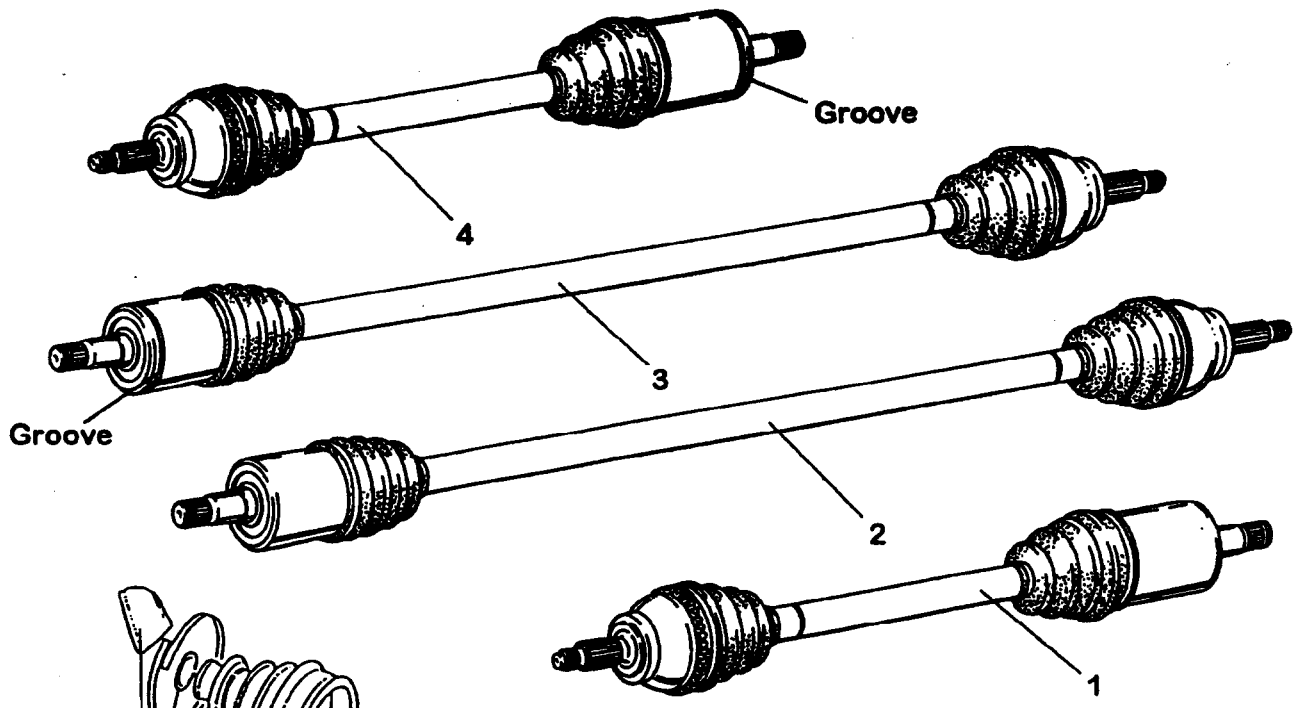
ELISE

Issued: 05-Aug-98

Function Code: 47.15, Page: 1



Flange
Steel Insert



ELISE
47.15

Service Parts List *ELISE*



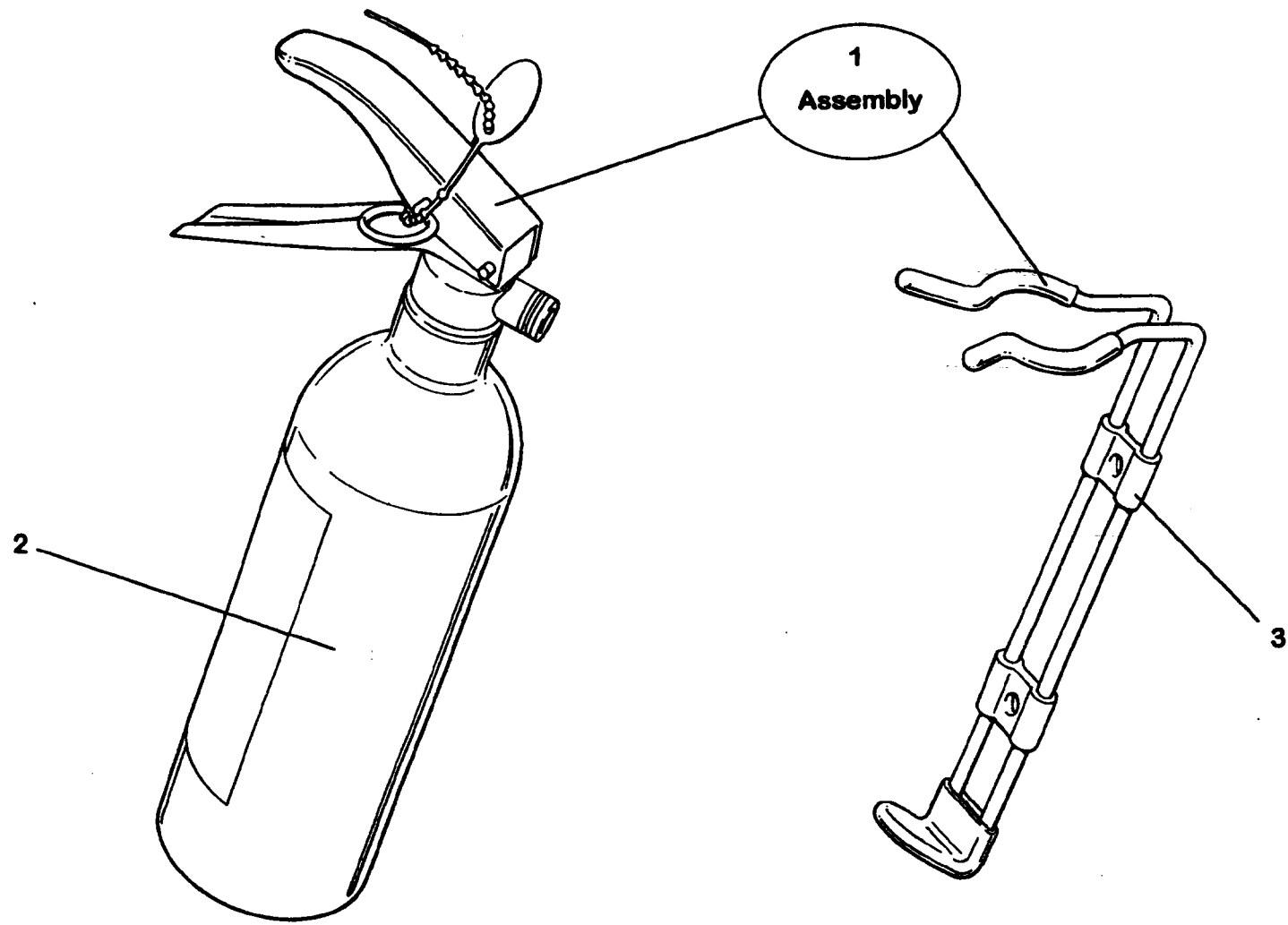
Function Code 60.03 Fire Extinguisher (In Vehicle)

<u>Dep</u>	<u>Part Description</u>	<u>Remarks</u>	<u>Option</u>	<u>Part Number</u>	<u>Qty</u>
01	Fire Extinguisger kit				
02	Fire Extinguisher			A111T0002H	1
03	Mounting bracket			A111T6003H	1
04	Fixing screw, M6 x 20 pozi			A111T6004H	1
05	Riv nut, M6 flat head			A100W5147F	2
				A111T6621F	1

ELISE

Issued: 05-Aug-98

Function Code: 60.03, Page: 1



ELSE
60.03

Service Parts List *ELISE*



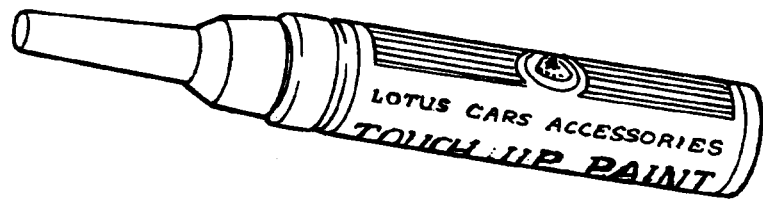
Function Code 80.20a Touch-in Paint Pencil Range

<u>Dep</u>	<u>Part Description</u>	<u>Remarks</u>	<u>Option</u>	<u>Part Number</u>	<u>Qty</u>
B01	Monaco White			A082B6294F	1
B02	Black			A082B6295F	1
B05	Mustard			A082B6296F	1
B16	Empire Green			A082B6299F	1
B17	Mica Yellow			A082B6300F	1
B18	Medina Green			A082B6301F	1
B19	Palicio			A082B6302F	1
B20	Azure Blue			A082B6303F	1
B21	L.R.Green			A082B6304F	1
B22	Aluminium			A082B6305F	1
B23	Ruby			A082B6306F	1
B24	Bronze			A082B6307F	1
B42	Midnight Metallic Blue			A082B6308F	1
B06	Aqua Blue			A082B6309F	1
B12	Ibiza Blue			A082B6312F	1
B10	Steel Blue			A082B6311F	1
B13	Black Metallic			A082B6313F	1
B14	Green Metallic			A082B6214F	1

ELISE

Issued: 06-Aug-98

Function Code: 80.20a, Page: 1



ELISE
80.20a

Function Code 80.20a Touch-in Paint Pencil Range

<u>Dep</u>	<u>Part Description</u>	<u>Remarks</u>	<u>Option</u>	<u>Part Number</u>	<u>Qty</u>
B15	Pearl Silver			A082B6315F	1
B57	Ivory			A082B6334F	1
B46	Bugatti Metallic			A082B6335F	1
B25	Chrome Orange			A082B6338F	1
B26	Satum Silver			A082B6339F	1
B27	Electric Green			A082B6340F	1
B28	Deep Purple			A082B6341F	1
B29	Racing Green			A082B6342F	1
B30	Inferno			A082B6343F	1
B31	Pacific Green			A082B6344F	1
B33	Charcoal			A082B6345F	1
B34	Steel Blue			A082B6346F	1
B61	Nautilus Blue			A082B6347F	1
B62	Titanium			A082B6348F	1
B63	L.R.Yellow			A082B6349F	1
B07	Silk Red			B082B6310F	1
B03	Calypso Red			D075B6264F	1
B09	Silver Frost			D082B6091F	1
B04	B.R.Green			D082B6146F	1
B08	Pacific Blue			D082B6173F	1

ELSE

Issued: 06-Aug-98

Function Code: 80.20a, Page: 2