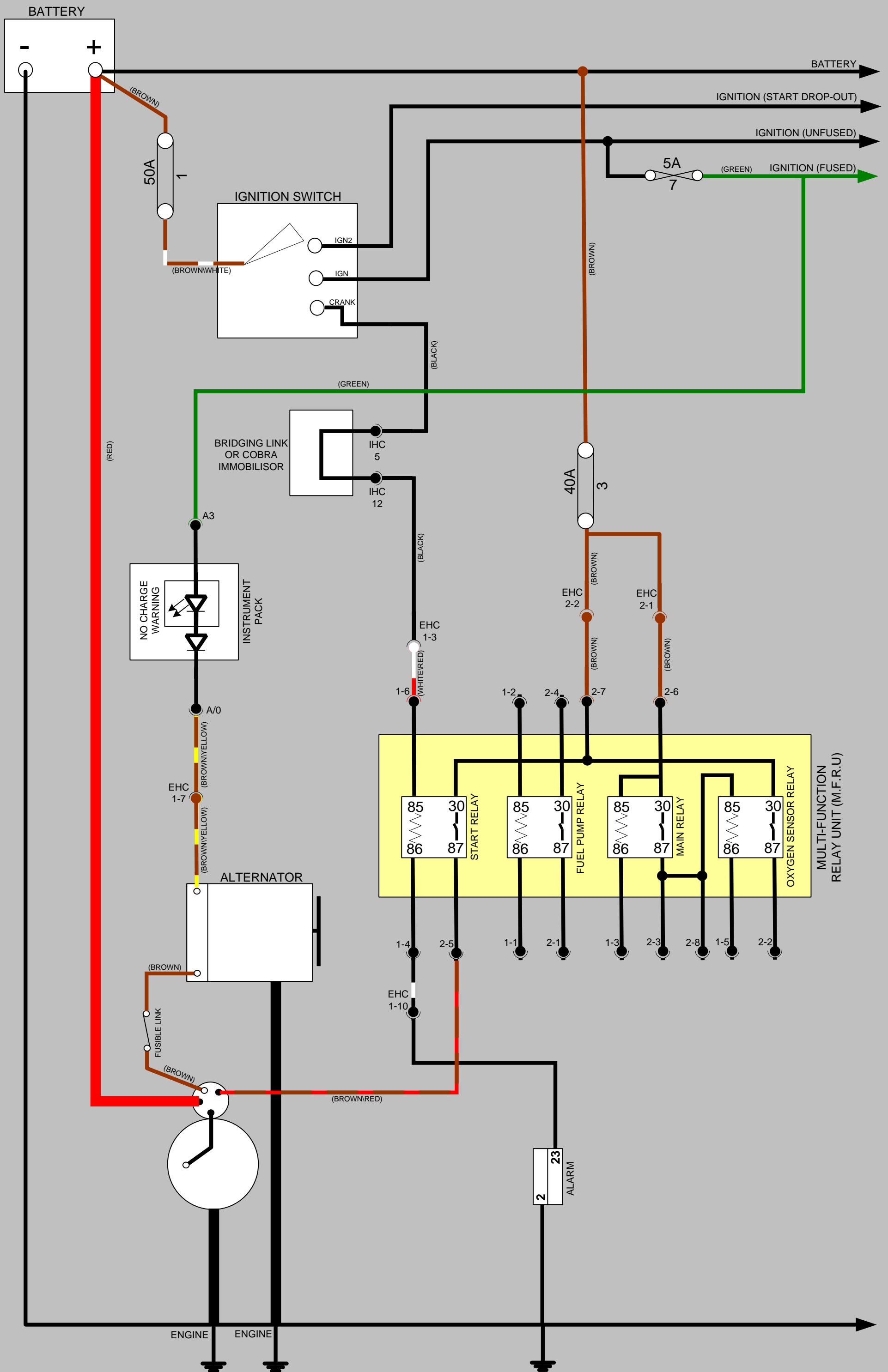
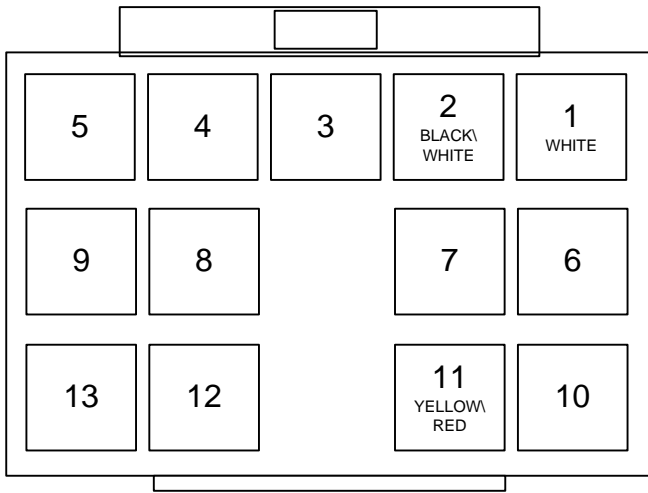


# START, ALTERNATOR & IGNITION

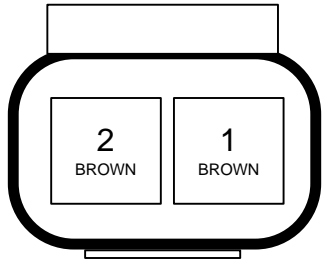
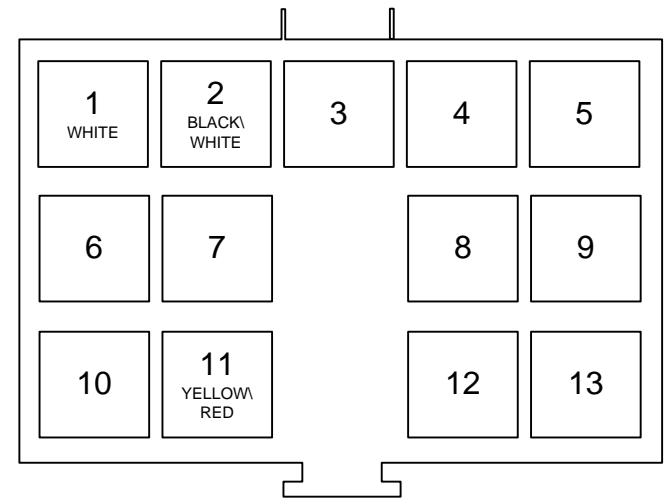


CONNECTOR ON MAIN HARNESS

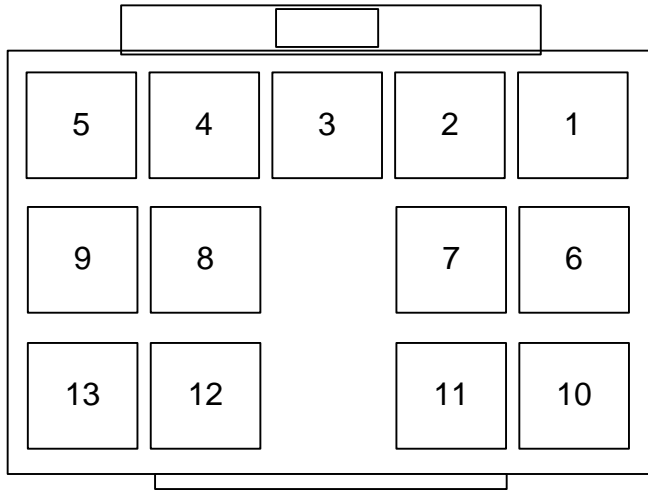
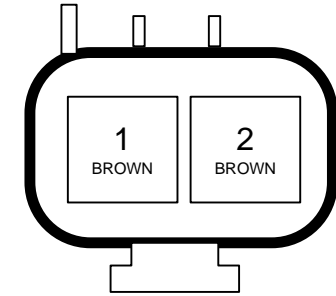


ENGINE HARNESS CONNECTOR 1 (EHC 1)

CONNECTOR ON MATING HARNESS



ENGINE HARNESS CONNECTOR 2 (EHC 2)



ENGINE HARNESS CONNECTOR 3 (EHC 3)

